

TECNO-LIST UTEK 2019



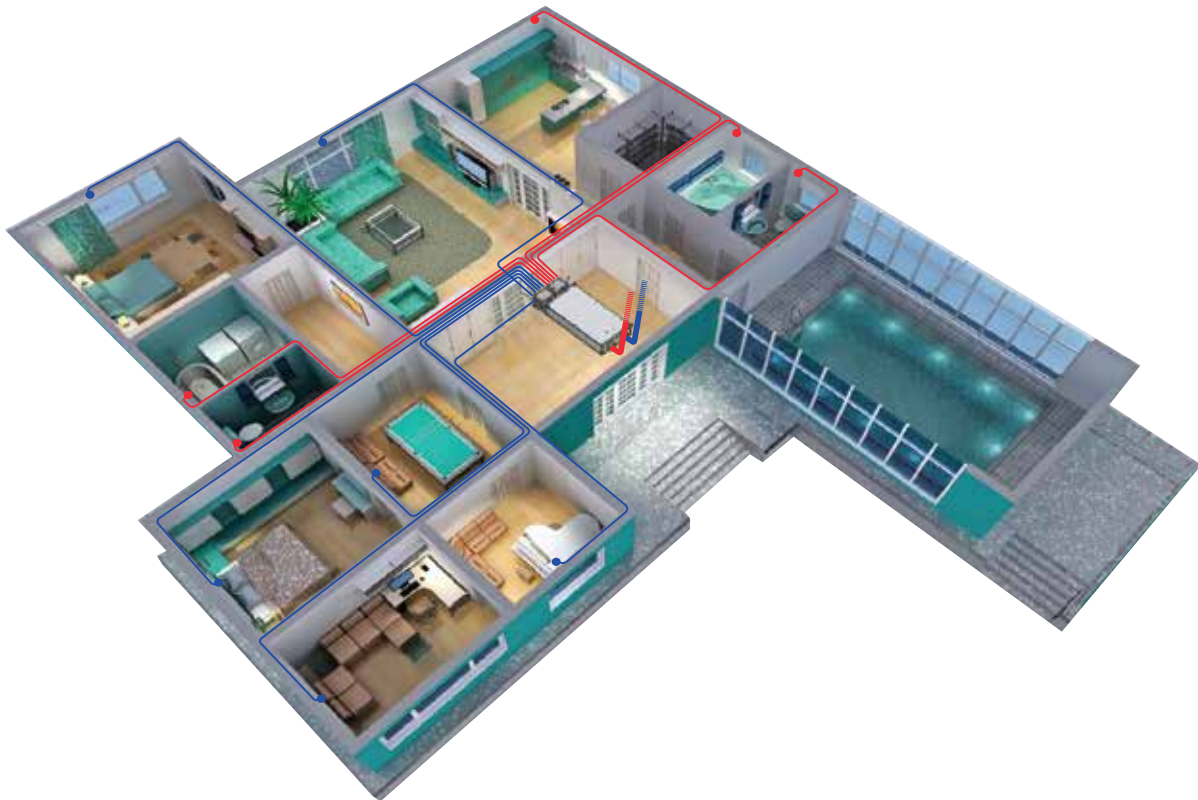
indoor air
quality
and energy
saving

AIR DISTRIBUTION SYSTEM

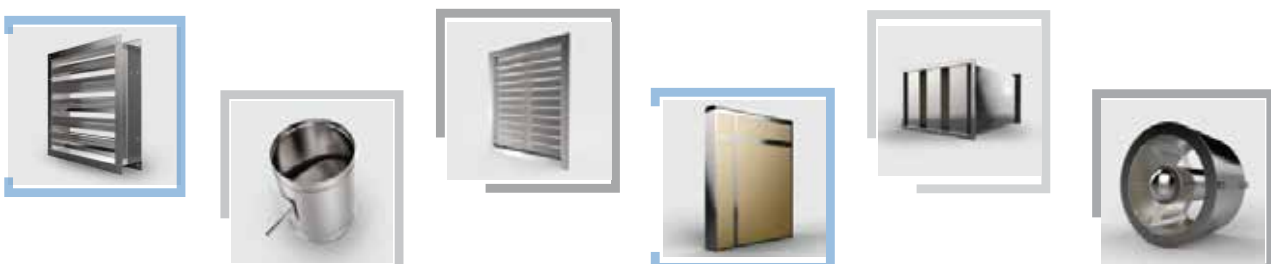
UTEK AIR+ air distribution system consists of a complete range of accessories – **easy and quick on-site chased or suspended ceiling installation** – designed to allow air distribution to single rooms in new or renovated buildings. Available accessories: round and oval ducts, air distribution and return plenum also in isolated version, plenum on the machine, sound attenuators, different connections, 90° elbow, clamps, baffles, valve terminals, plenum for grids, ventilation valves and grids

UTEK heat recovery ventilator provides fresh air, while the AIR+ system ensures the optimal air distribution inside the rooms: as for residential buildings, air is introduced into the living room and bedrooms through supply valves and grids, while stale air from service rooms (kitchen, bathrooms, laundry) is expelled through the intake valves. The system guarantees the optimal distribution of the air inside the apartment. The little space under the doors (mm) allows the air to flow correctly through rooms, avoiding stagnation of bad smells and polluting substances inside the rooms.

UTEK heat recovery unit coupled with the AIR+ distribution system helps you to keep sound levels low for a comfortable and continuous ventilation of the premises; the use of a single duct for each premise prevents the transmission of noise between a room and the other (known as the cross-talk effect). The product is made of antibacterial and antifungal material. We recommend you to properly clean the unit and sanitize the ducts: a few simple and costless operations will help you keep the ventilation system clean for better indoor air quality.



Our proposal includes – especially for commercial and industrial buildings – a wide range of dampers (calibration, tightness, fire, over-pressure), sound attenuators, return grilles, filtering boxes, airflow controls...and special performances.



ALVEOLARE noise attenuator

ALVEOLARE noise attenuator - 155x155x600 mm - Ø 125 mm - Male Female junctions. **Patented by CLA**

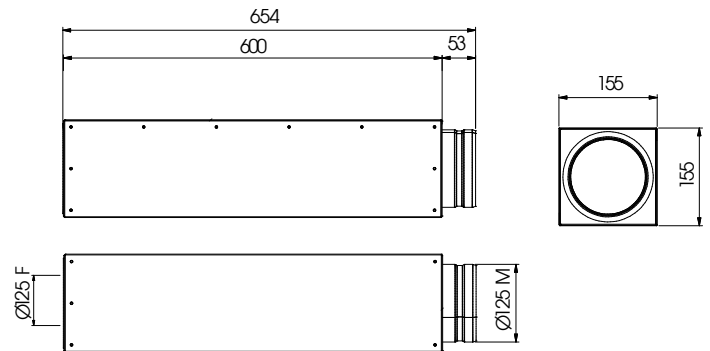
ACOUSTIC TEST: listen to the difference with and without ALVEOLAR SILENCER <https://www.youtube.com/watch?v=4GQLzdhoBII>

Octave band noise attenuation

f (Hz)	125	250	500	1000	2000	4000	8000
Di (dB)	3,3	8,9	18,1	32,8	38,6	34,8	28,0



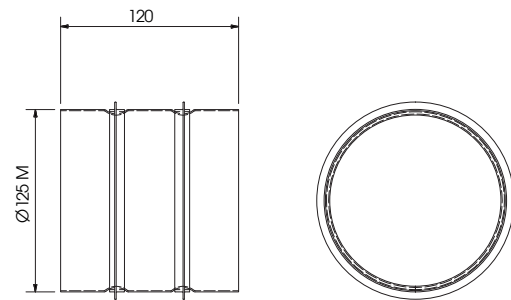
CADSILENZ005



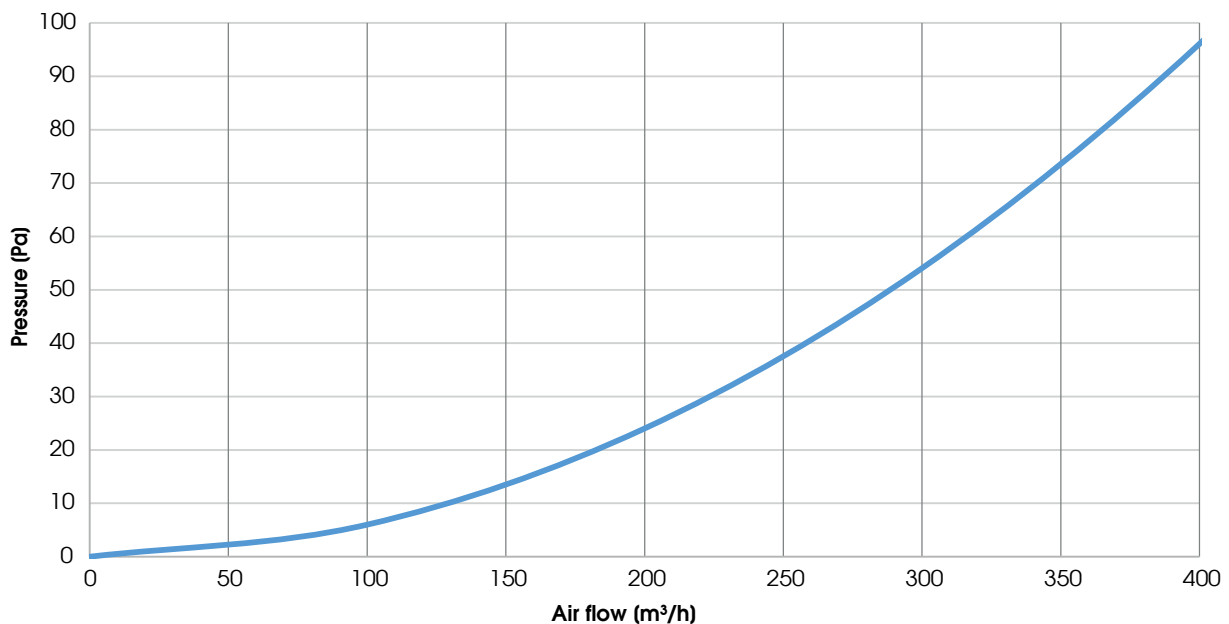
Connection 125 (M)/125 (M)



CADRACC00003



Code	Quantity	Weight (kg)	Price (€)	Packing dim. (mm)
CADSILENZ005	● 1Pcs	● 2,81	● 117,00	● 155x155x654 h
CADRACC00003	● 1Pcs	● 0,245	● 10,60	● -



ALVEOLARE noise attenuator

ALVEOLARE noise attenuator - 300x180x800 mm - Ø 150 mm - Male Female junctions. **Patented by CLA**

ACOUSTIC TEST: listen to the difference with and without ALVEOLAR SILENCER <https://www.youtube.com/watch?v=4GQLzdhoBII>

Octave band noise attenuation

f (Hz)	125	250	500	1000	2000	4000	8000
DI (dB)	3,3	8,9	18,1	32,8	38,6	34,8	28,0

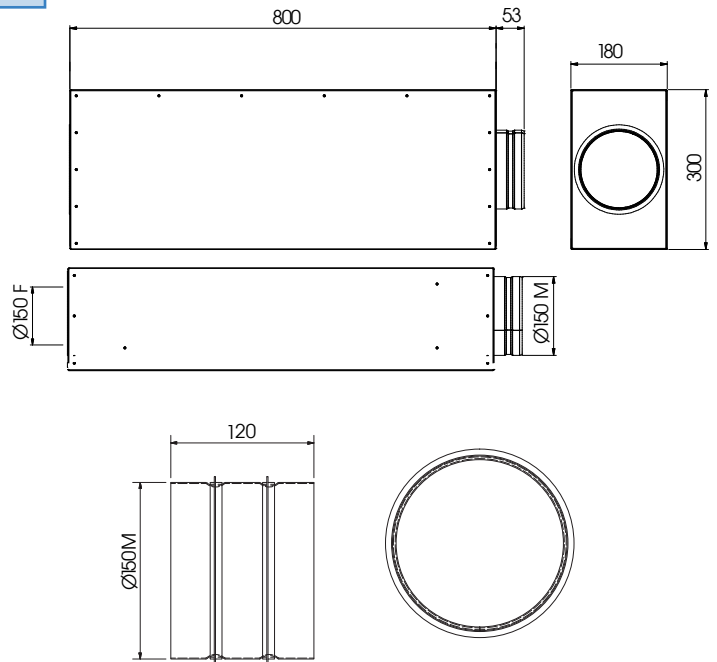


CADSILENZ006

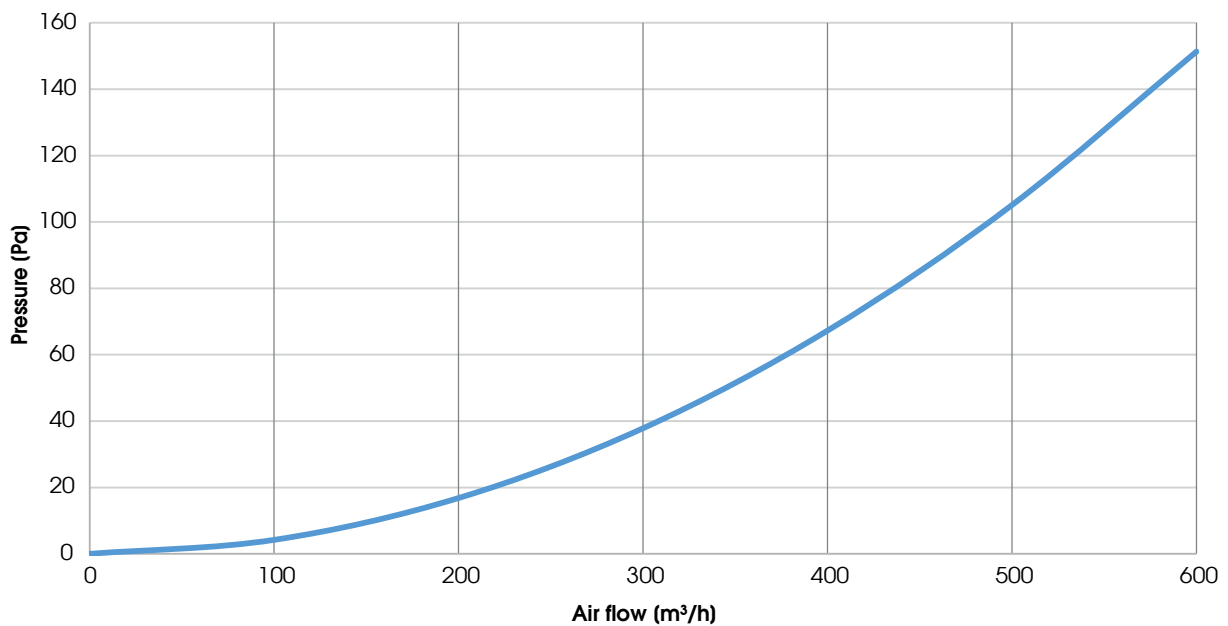
Connection 150 (M)/150 (M)



CADRACC00004



Code	Quantity	Weight (kg)	Price (€)	Packing dim. (mm)
CADSILENZ006 ●	1Pcs ●	5,60 ●	184,00 ●	300x180x854 h ●
CADRACC00004 ●	1Pcs ●	0,384 ●	11,40 ●	- ●



ALVEOLARE noise attenuator

ALVEOLARE noise attenuator - 300x180x800 mm - Ø 160 mm - Male Female junctions. **Patented by CLA**

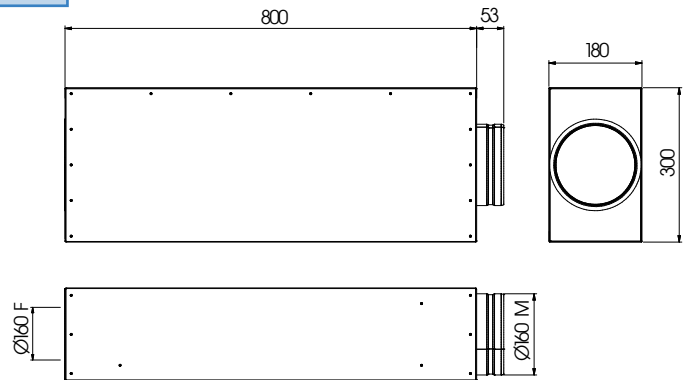
ACOUSTIC TEST: listen to the difference with and without ALVEOLAR SILENCER <https://www.youtube.com/watch?v=4GQLzdhoBII>

Octave band noise attenuation

f (Hz)	125	250	500	1000	2000	4000	8000
Di (dB)	3,3	8,9	18,1	32,8	38,6	34,8	28,0



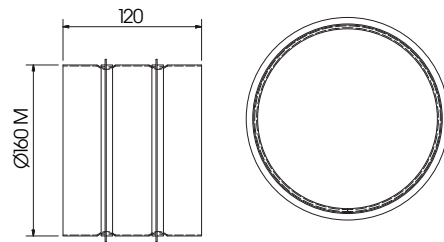
CADSILENZ007



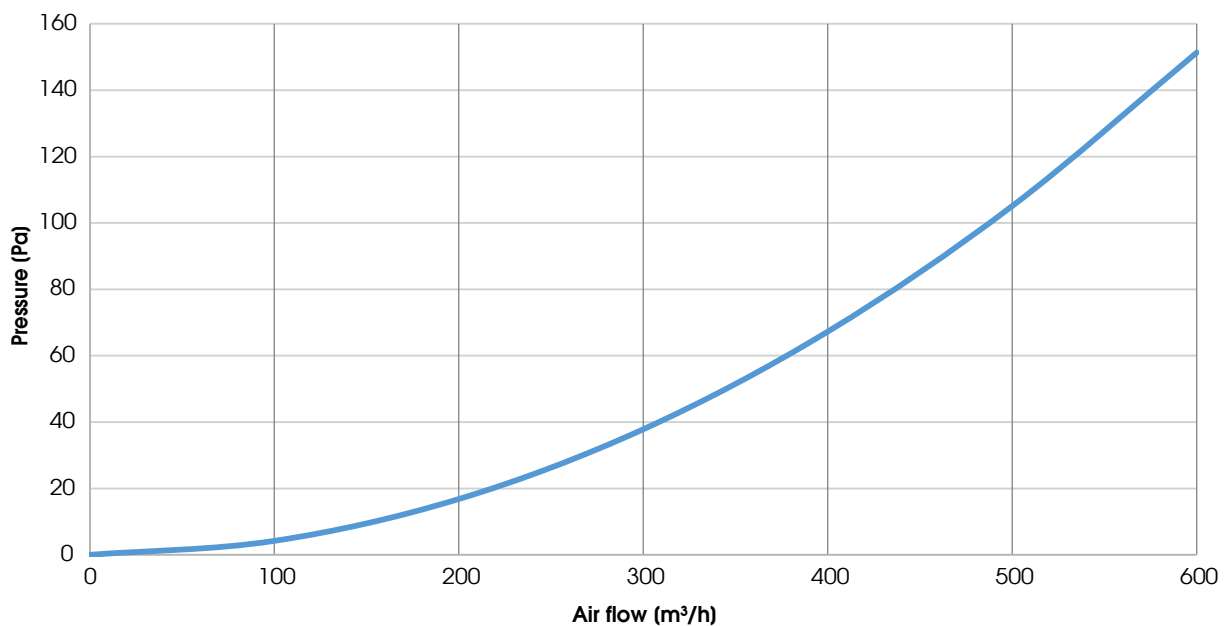
Connection 160 (M)/160 (M)



CADRACC00005



Code	Quantity	Weight (kg)	Price (€)	Packing dim. (mm)
CADSILENZ007	1PZ	5,87	184,00	300x180x854 h
CADRACC00005	1 PZ	0,396	12,20	-



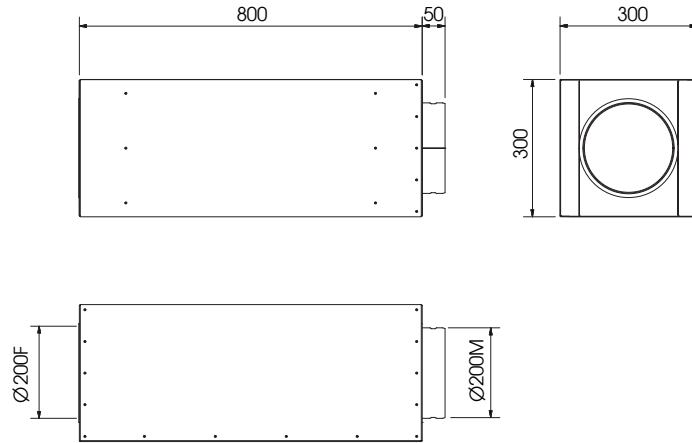
ALVEOLARE noise attenuator

ALVEOLARE noise attenuator - 300x300x800 mm - Ø 200 mm Male Female junctions. **Patented by CLA**

ACOUSTIC TEST: listen to the difference with and without ALVEOLAR SILENCER <https://www.youtube.com/watch?v=4GQLzdhoBII>



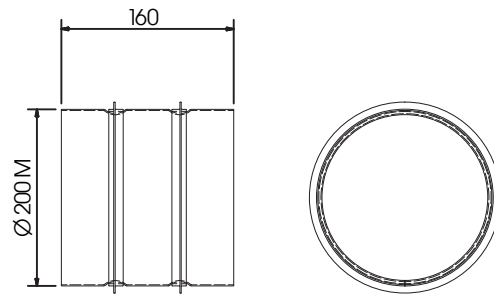
CADSILENZ008



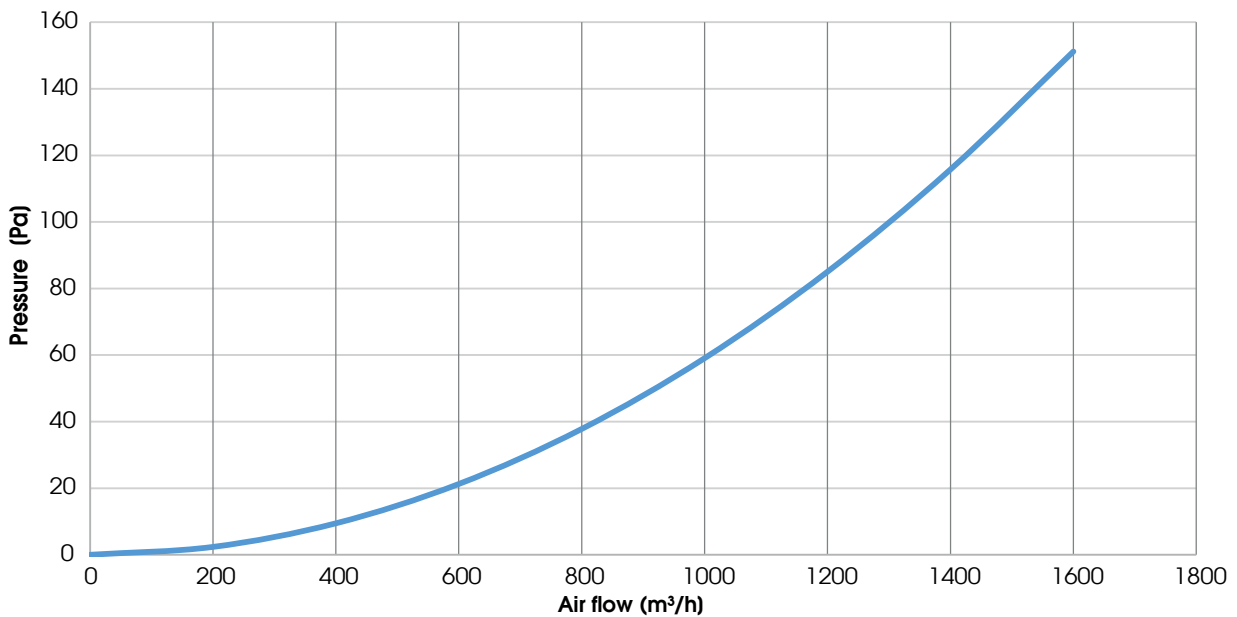
Connection 200 (M)/200 (M)



CADRACC00006

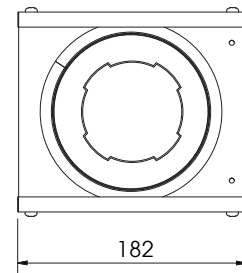
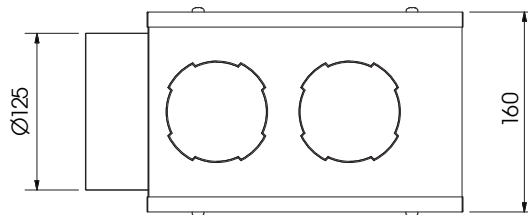
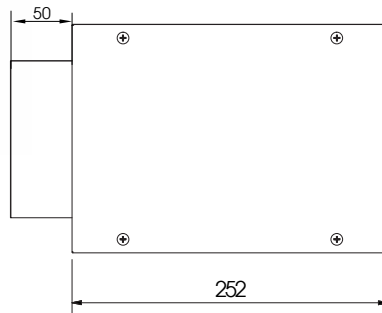


Code	Quantity	Weight (kg)	Price (€)	Packing dim. (mm)
CADSILENZ008	● 1Pz	● 10,09	● 293,00	● 300x300x850 h
CADRACC00006	● 1Pz	● 0,50	● 14,50	● -

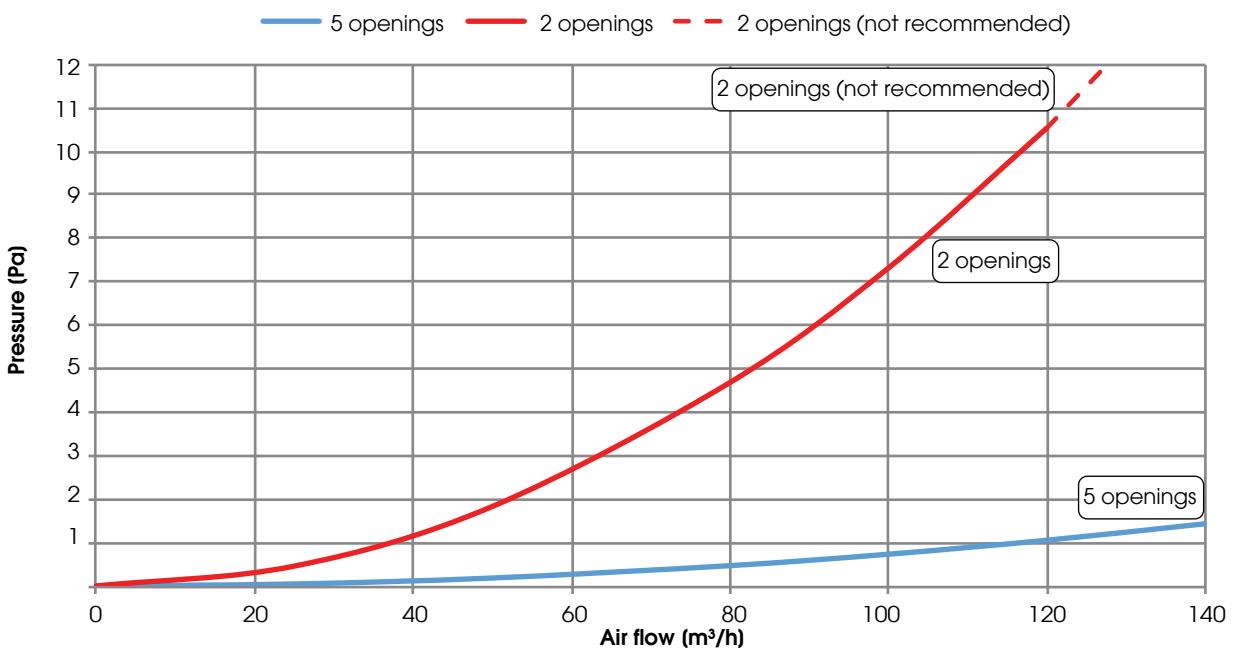


X-AIR INSULATED DISTRIBUTION PLENUM (supply/extraction air flow) for JD 1

Plenum X-AIR for JD 1 - 5 connections - circular section - semirigid duct



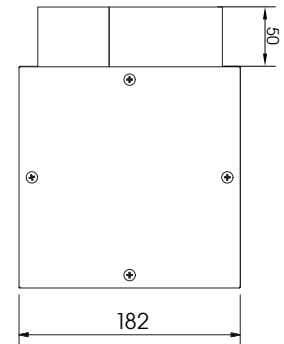
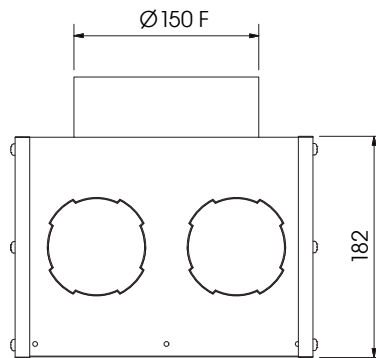
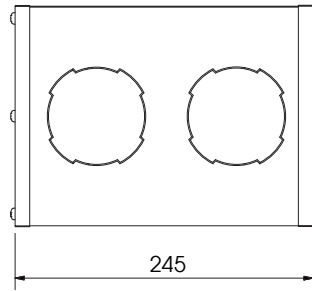
Code	Quantity	Weight (kg)	Price (€)
CADPLXAIR001	1 Pcs	1,20	116,00



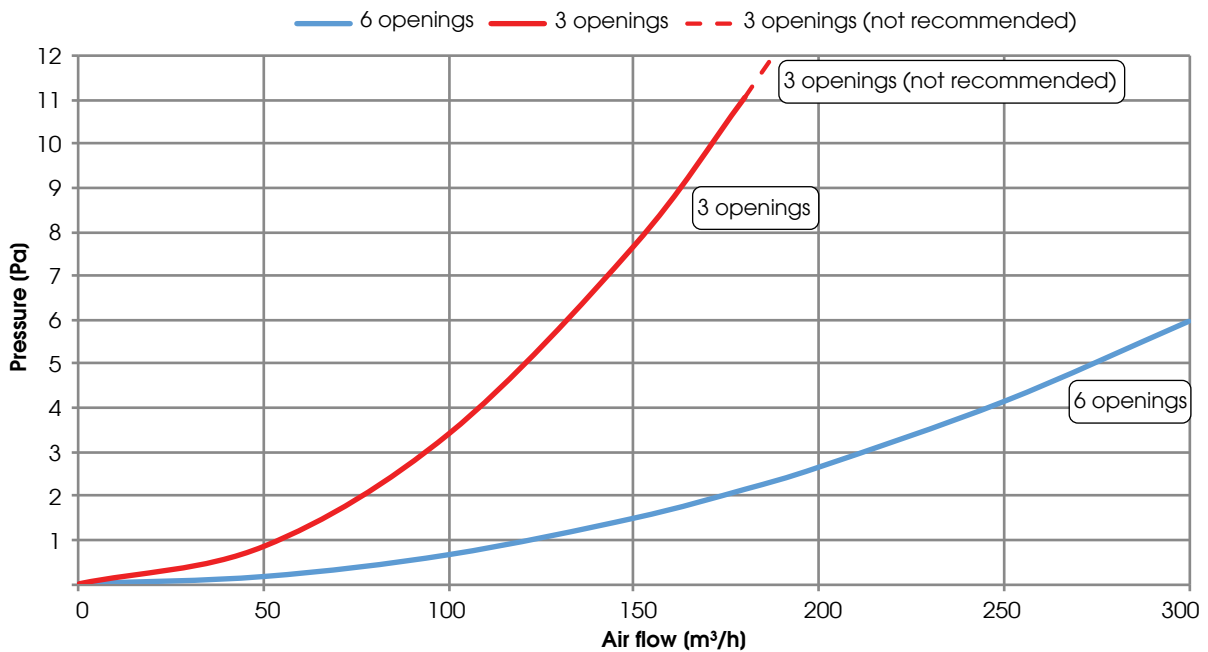
Note - not recommended for use in the dotted area of the curve

X-AIR INSULATED DISTRIBUTION PLENUM (supply/extraction air flow) for JD 2

Plenum X-AIR for JD 2 - 6 connections - insulated - circular section - semirigid duct



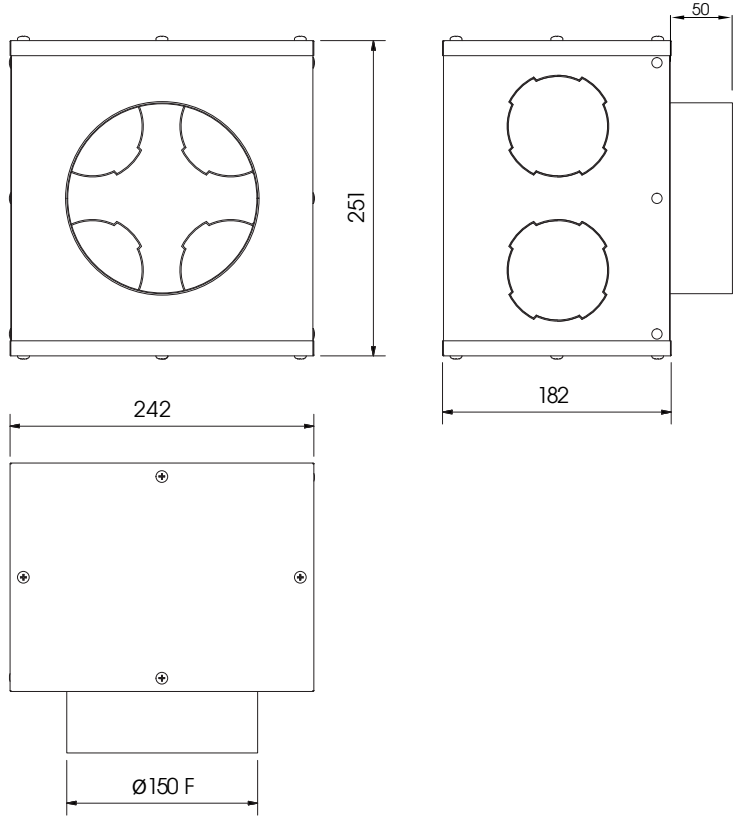
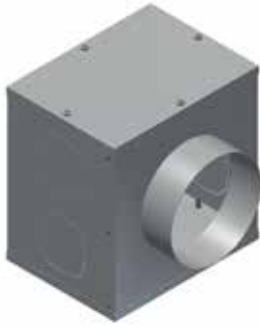
Code	Quantity	Weight (kg)	Price (€)
CADPLXAIR002	● 1 Pcs	● 1,30	● 145,00



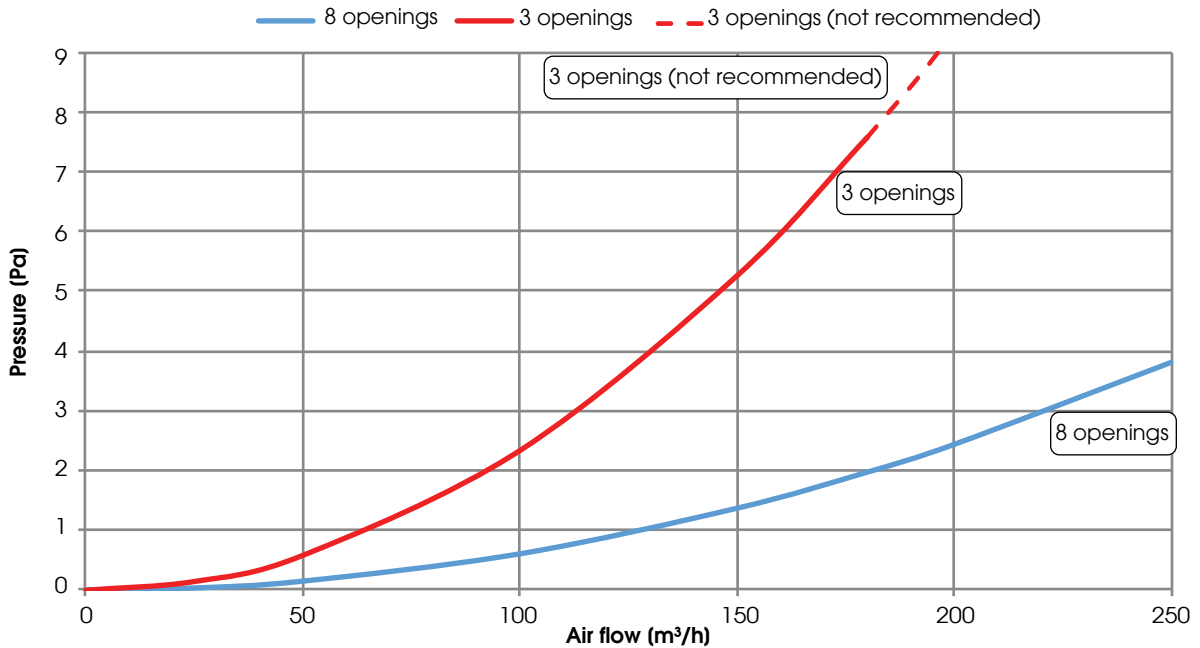
Note - not recommended for use in the dotted area of the curve

X-AIR INSULATED DISTRIBUTION PLENUM (supply/extraction air flow) for FLAT 1/2

Plenum X-AIR per **FLAT 1** e **2** - 8 connections - insulated - circular section - semirigid duct



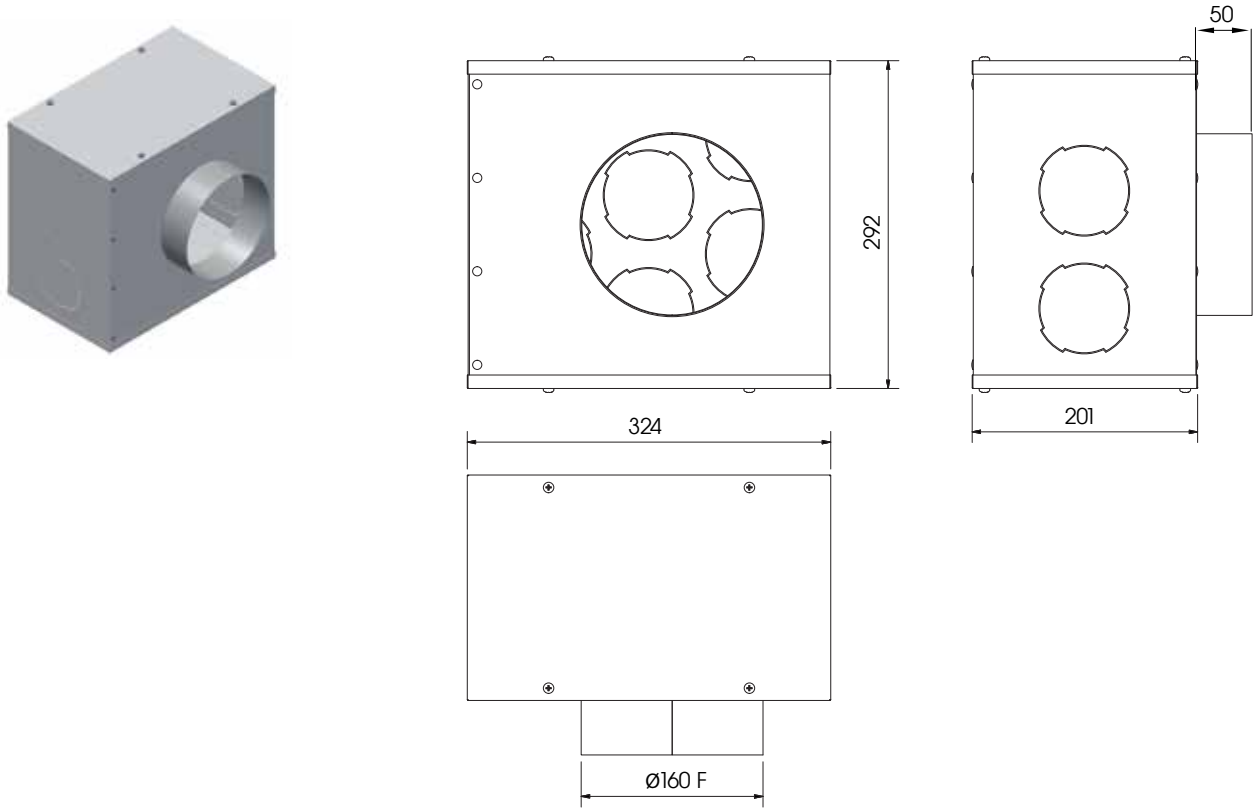
Code	Quantity	Weight (kg)	Price (€)
CADPLXAIR008	1 Pcs	1,50	159,00



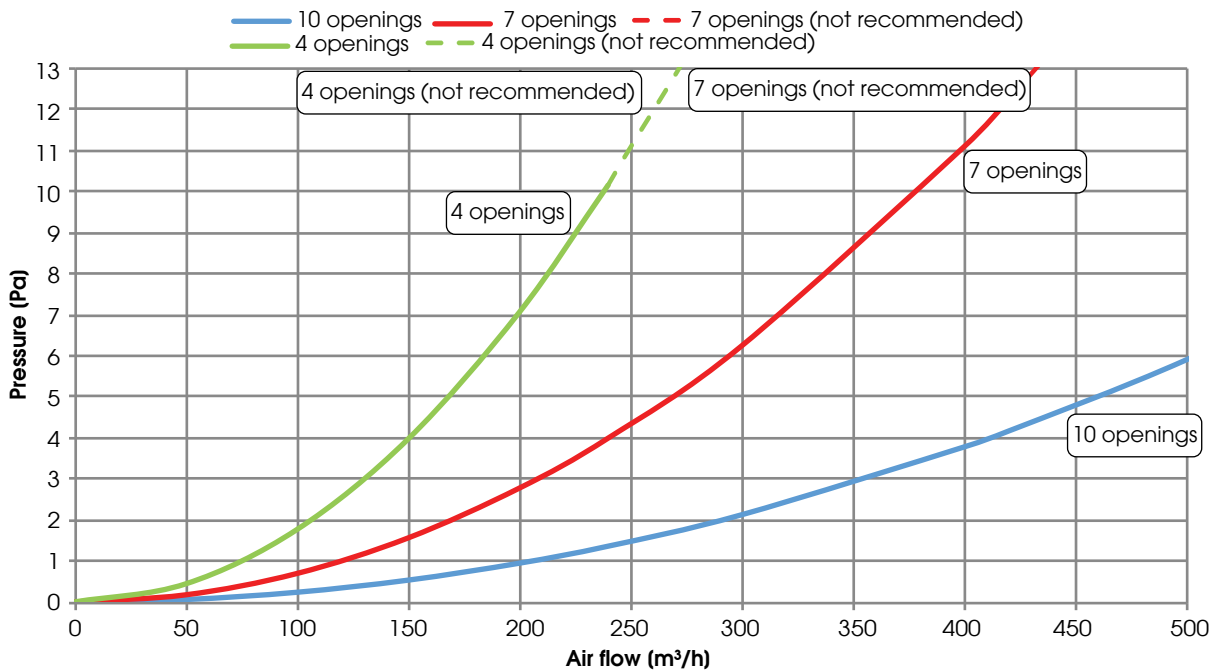
Note - not recommended for use in the dotted area of the curve

X-AIR INSULATED DISTRIBUTION PLENUM (supply/extraction air flow) for HRE-RES 1/2

Plenum X-AIR for HRE-RES 1 and 2 - 10 connections - insulated - circular section - semirigid duct



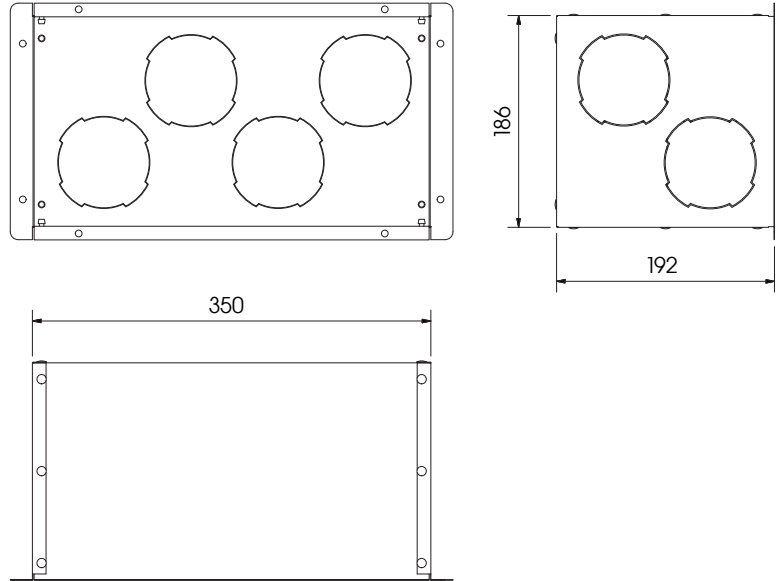
Code	Quantity	Weight (kg)	Price (€)
CADPLXAIR009	● 1 Pcs	● 2,10	● 161,00



Note - not recommended for use in the dotted area of the curve

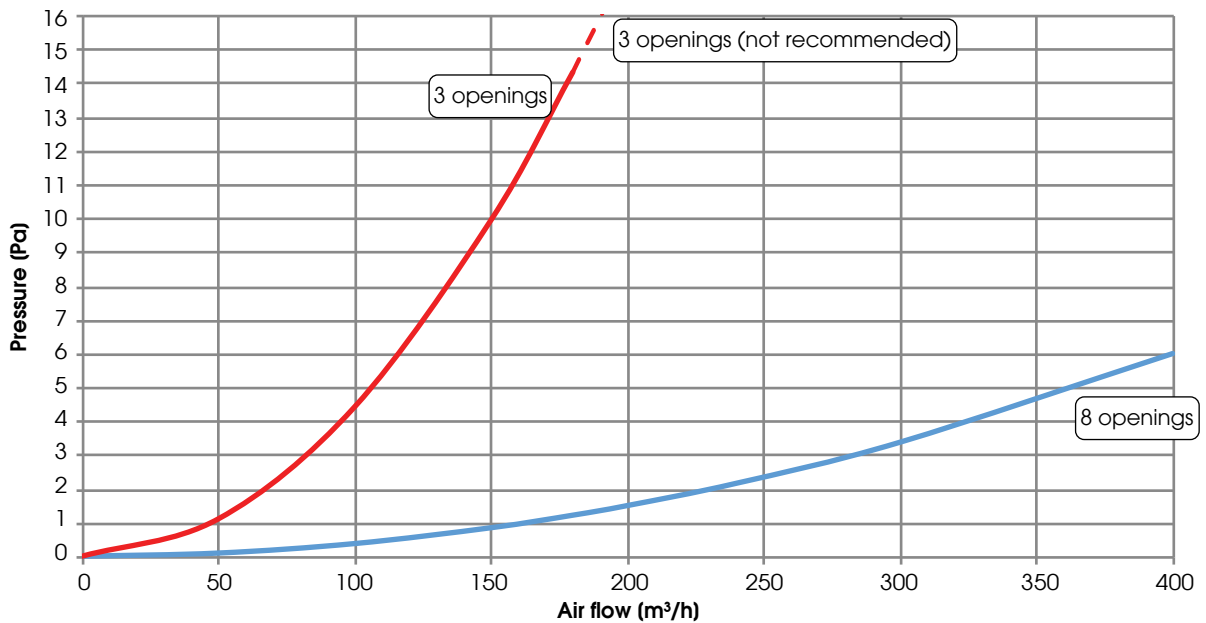
X-AIR INSULATED SUPPLY AIR FLOW PLENUM for DEH 1

Supply air flow plenum for **DEH 1** - 8 connections - insulated - circular section - semirigid duct



Code	Quantity	Weight (kg)	Price (€)
CADPLXAIR010	● 1 Pcs	● 1,20	● 86,00

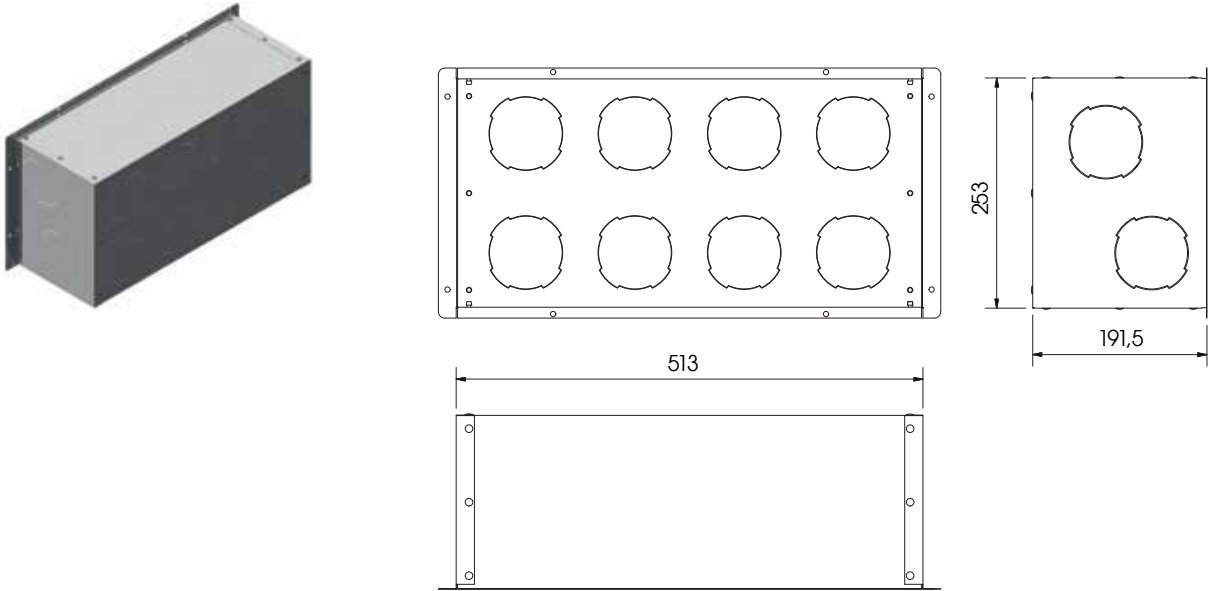
— 8 openings — 3 openings - - 3 openings (not recommended)



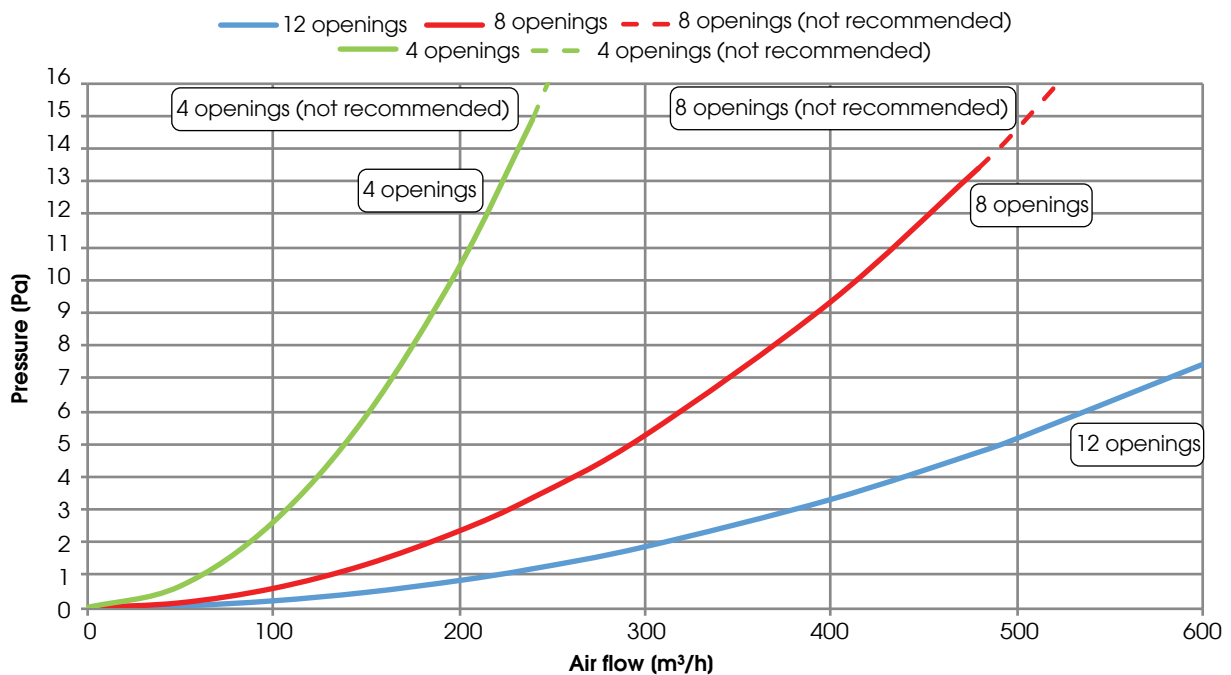
Note - not recommended for use in the dotted area of the curve

X-AIR INSULATED RECIRCULATING AIR FLOW PLENUM for DEH 2

Recirculating air flow plenum for **DEH 2** - 12 connections - insulated - circular section - semirigid duct



Code	Quantity	Weight (kg)	Price (€)
CADPLXAIR011	1 Pcs	1,90	92,00

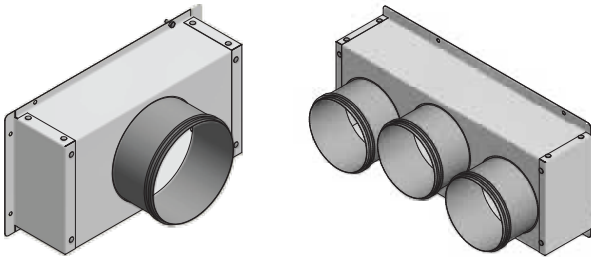


Note - not recommended for use in the dotted area of the curve

SUPPLY PLENUM FOR DEH

Plenum for **DEH 1**, as an alternative to plenums X-AIR (used with semi-rigid ducts)

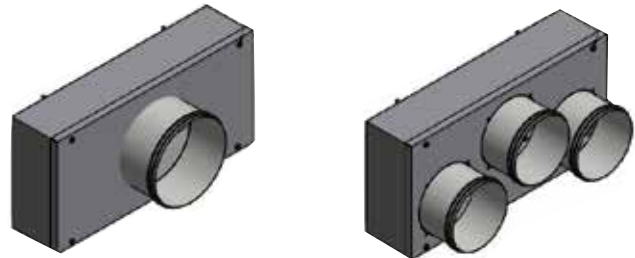
DEH 1 - horizontal



OP0Z00000005

OP0Z00000003

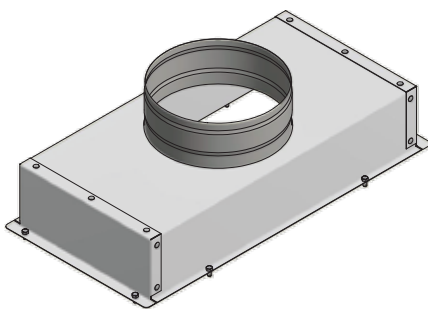
DEH 1 - vertical



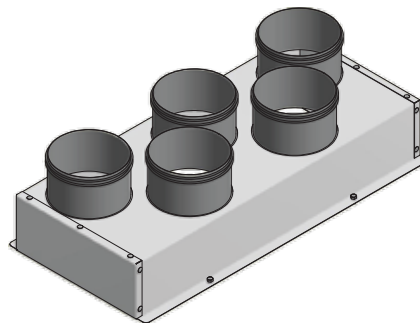
OP0Z00000011

OP0Z00000010

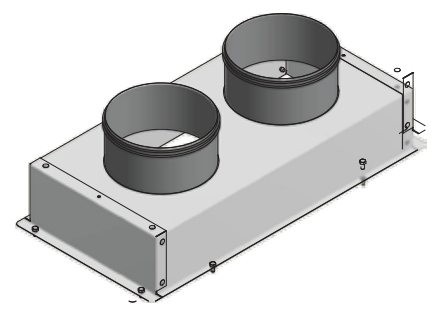
Plenum for **DEH 2**, as an alternative to plenums X-AIR (used with semi-rigid ducts)



OP0Z00000008



OP0Z00000004



OP0Z00000006

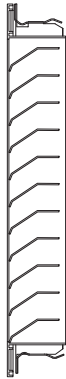
Code	Model & description	Weight (kg)	Price (€)	Packaging dim. (mm)
OP0Z00000005	● DEH 1H - 1 supply Ø 160 mm	● 1,70	● 108,00	● 450x220x200
OP0Z00000011	● DEH 1V - 1 supply Ø 160 mm	● 2,00	● 107,00	● 450x220x200
OP0Z00000003	● DEH 1H - 3 supply Ø 125 mm	● 2,10	● 111,00	● 450x220x200
OP0Z00000010	● DEH 1V - 3 supply Ø 125 mm	● 2,50	● 117,00	● 450x220x200
OP0Z00000008	● DEH 2 - 1 supply Ø 200 mm	● 1,80	● 146,00	● 560x280x200
OP0Z00000004	● DEH 2 - 5 supply Ø 125 mm	● 2,60	● 167,00	● 600x280x200
OP0Z00000006	● DEH 2 - 2 supply Ø 160 mm	● 2,00	● 151,00	● 560x280x200

PRESSURE LOSS (estimated) = 20 - 30 Pa

CENTRALIZED RECIRCULATION combined with DEH

CENTRALIZED recirculation materials combined with DEH units:

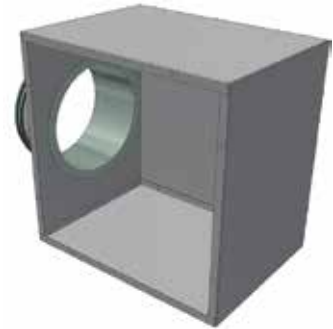
- **CADTERDIF036** recirculation grid 350x350 mm, in anodized aluminum + RAL9010
- **CADTERDIF035** recirculation grid 350x350 mm, in anodised aluminum
- **CADTERDIF038** counter-frame for 350x350 mm grid, in galvanized steel
- **OPOZ00000012** central recirculation plenum 350x350x250 (H) mm - nipple D. 150 (M)



CADTERDIF038



CADTERDIF035 o CADTERDIF036



OPOZ00000012

Code	Model & description	Weight (kg)	Price (€)	Packaging dim. (mm)
CADTERDIF036	● 1 Pc	● 2,00	● 106,00	● 400x400x50
CADTERDIF035	● 1 Pc	● 2,00	● 85,00	● 400x400x50
CADTERDIF038	● 1 Pc	● 2,00	● 13,00	● 400x400x100
OPOZ00000012	● 1 Pc	● 4,00	● 159,00	● 350x350x250

NOTE: the plenum is equipped with a D. 200 M nipple; you can operate this way:

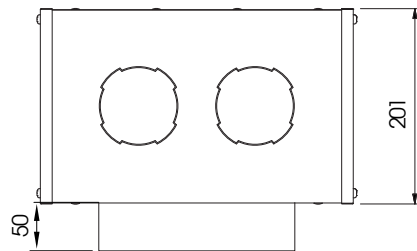
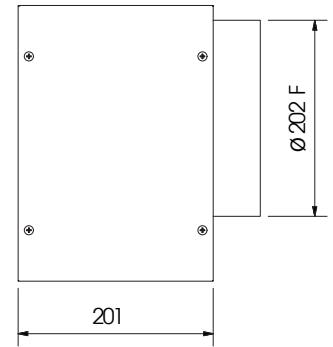
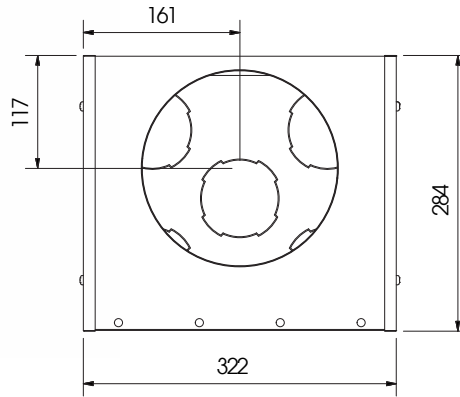
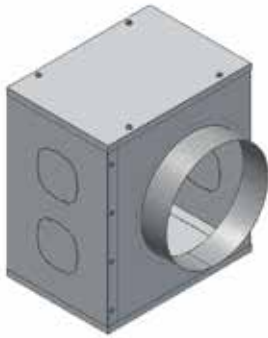
- DEH 1, RECIRCULATION D. 160 mm (M) = flexible CADCONFLX002 + CADRACC00002 (160 M / 150 F) + CADRACC00007 (150 M / 200 F)
- DEH 2, RECIRCULATION D. 200 mm (M) = flexible CANCONFLEX004

LOAD LOSS (estimated) for GRID + PLENUM

	PARTIAL recirculation	TOTAL recirculation
. DEH 1	10 Pa	15 Pa
. DEH 2	15 Pa	25 Pa

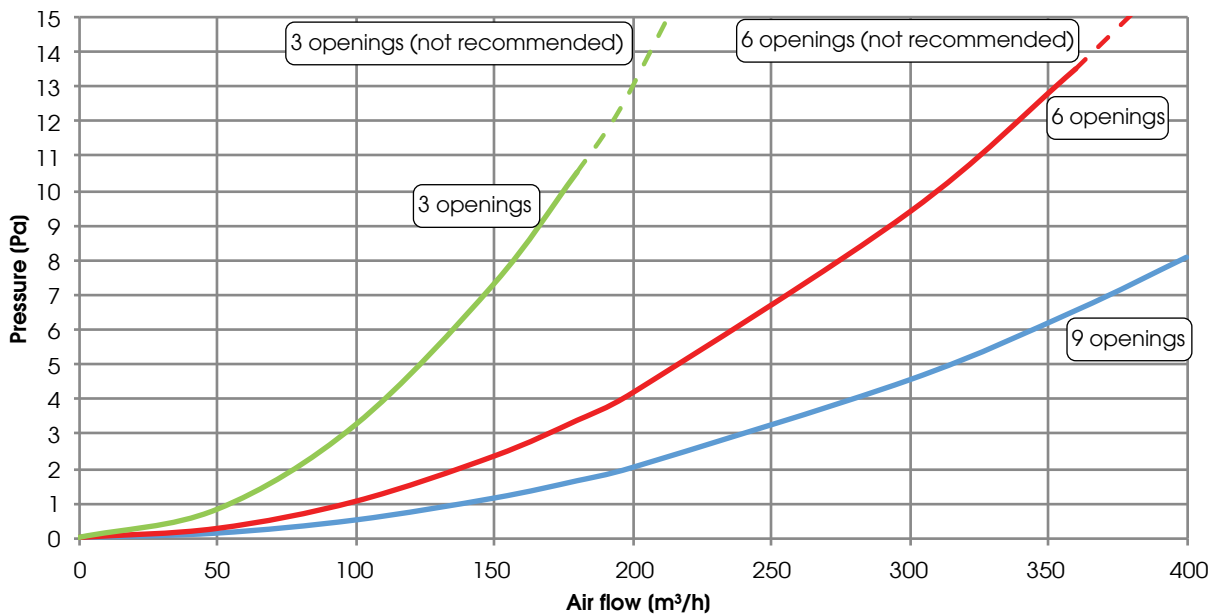
X-AIR INSULATED RECIRCULATING AIR FLOW PLENUM for DEH 2

Recirculating air flow plenum for **DEH 2** - 9 connections - insulated - circular section - semirigid duct



Code	Quantity	Weight (kg)	Price (€)
CADPLXAIR012	1 Pcs	2,30	110,00

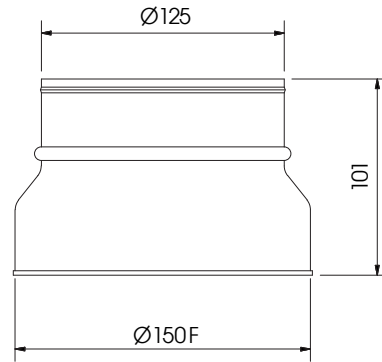
— 9 openings
 — 6 openings
 - - - 6 openings (not recommended)
— 3 openings
 - - - 3 openings (not recommended)



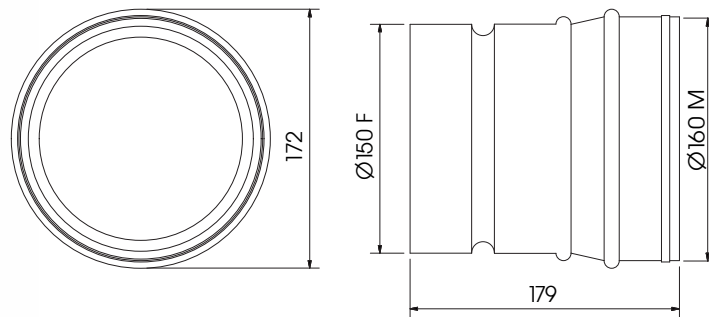
Note - not recommended for use in the dotted area of the curve

JUNCTION for PLENUM

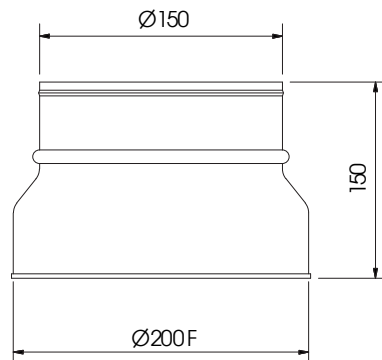
Junction device for circular section ducts 125 mm (M) 150 mm (F)



Junction device for circular section ducts 160 (M)/150 (F)



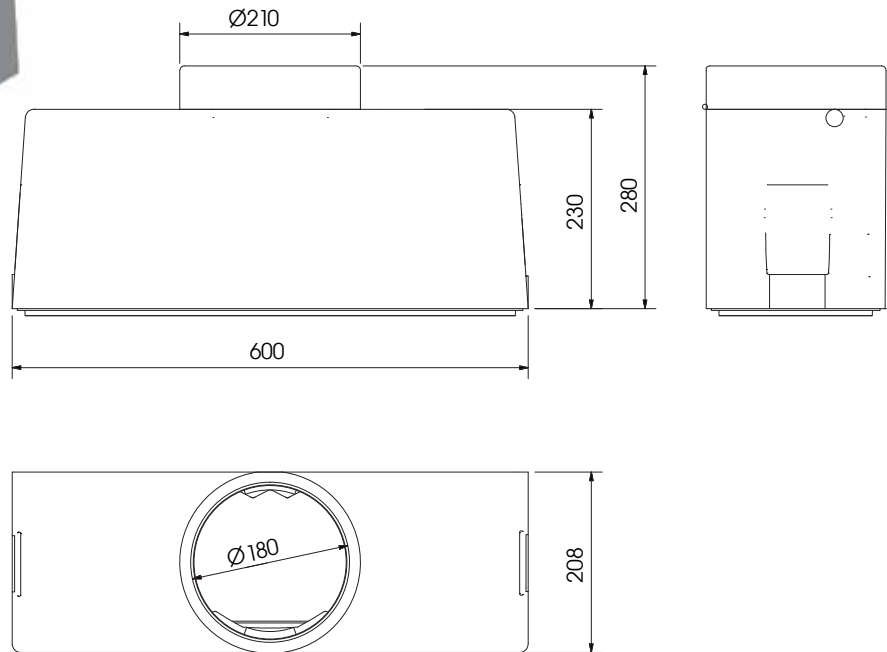
Junction device for circular section ducts 150 (M) / 200 (F)



Code	Quantity	Weight (kg)	Price (€)	Packaging dim. (mm)
CADRACC00001	● 1 Pcs	● 0,20	● 8,80	● 160x160x110
CADRACC00002	● 1 Pcs	● 0,20	● 19,30	● 180x180x190
CADRACC0000x	● 1 Pcs	● 0,50	● 41,70	● 210x210x160

UPPER PART OF NOISE ATTENUATED PLENUM

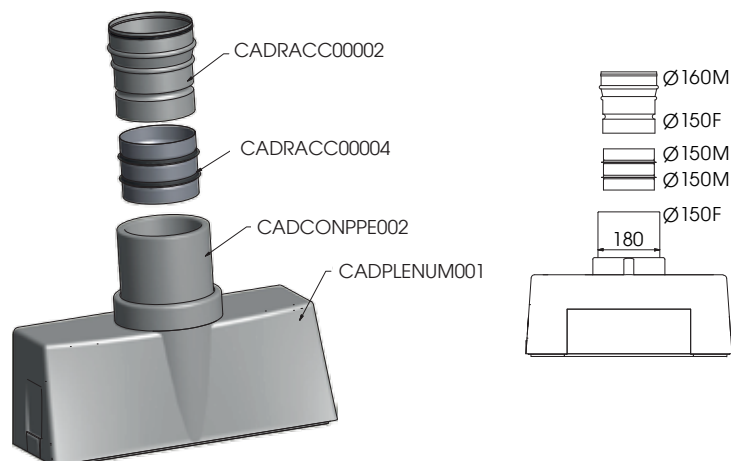
Upper part of noise attenuated plenum - circular connection - \varnothing 150/180 mm



Code	Quantity	Weight (kg)	Price (€)
CADPLENUM001	1 Pcs	1,10	55,00

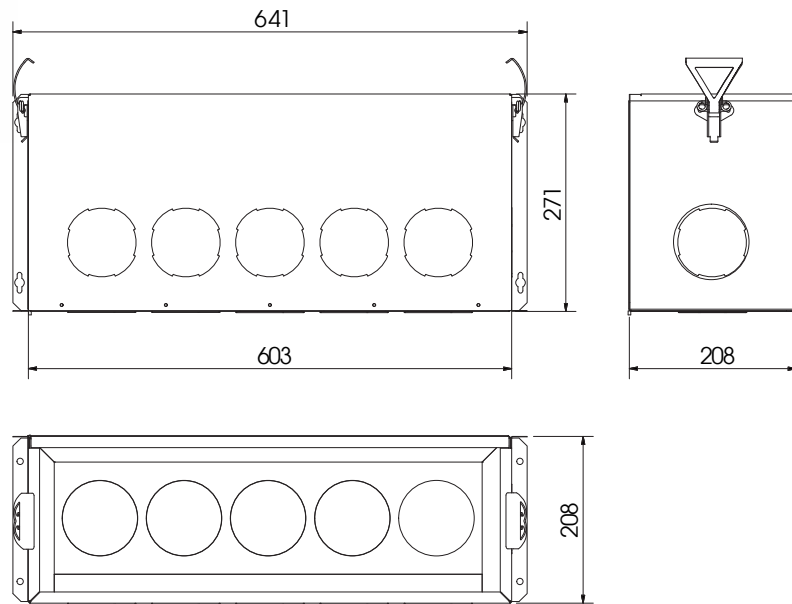
NOTE: The upper section plenum is made to be connected to EPP ducts \varnothing 150 mm (code CADCONPPE002, \varnothing int. 150 mm/ \varnothing ext. 180 mm). in case of connection to insulated flexible duct you have to use a piece of EPP duct \varnothing 150 mm after:

- . with insulated flexible duct CADCONFLX001 (\varnothing 150 mm) = connection CADRACC00004 (see drawing below)
- . with insulated flexible duct CADCONFLX002 (\varnothing 160 mm) = connection CADRACC00004 (see drawing below)

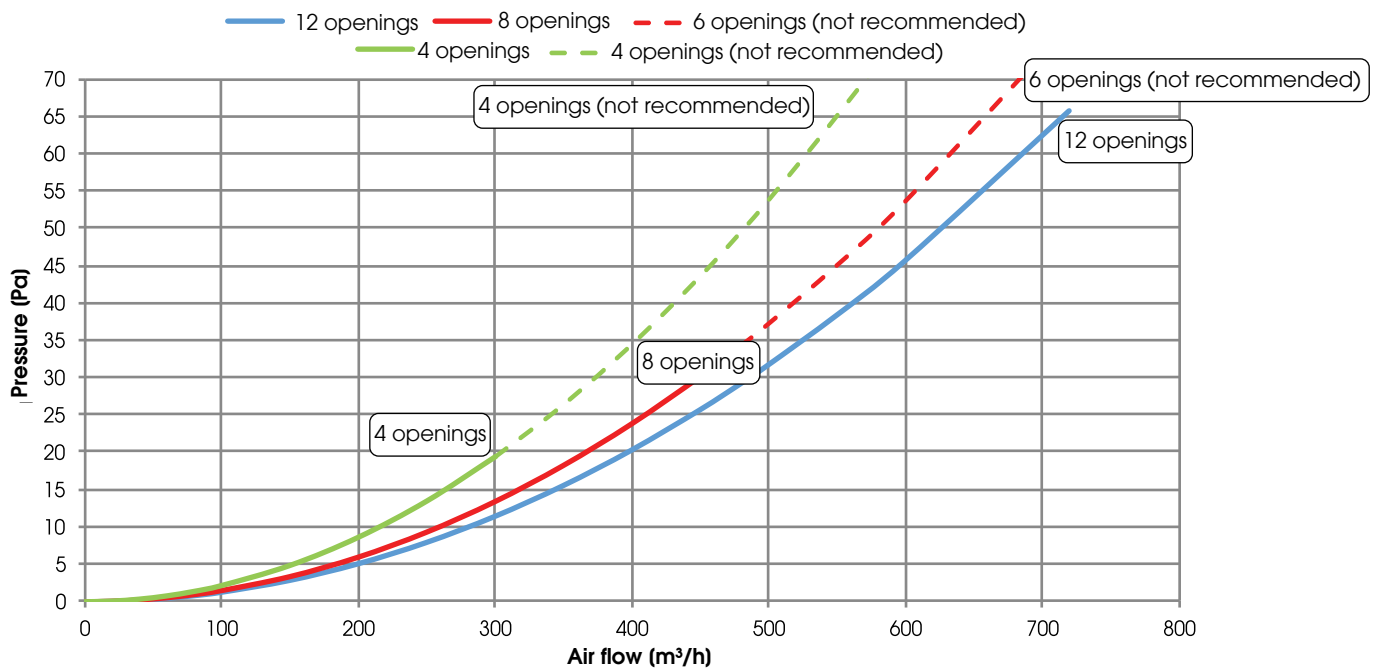


INFERIOR PART OF NOISE ATTENUATED PLENUM - low version

Inferior part of noise attenuated plenum low version - 12 connections - circular section - semirigid duct



Code	Quantity	Weight (kg)	Price (€)
CADPLENUM002	1 Pcs	4,90	272,00

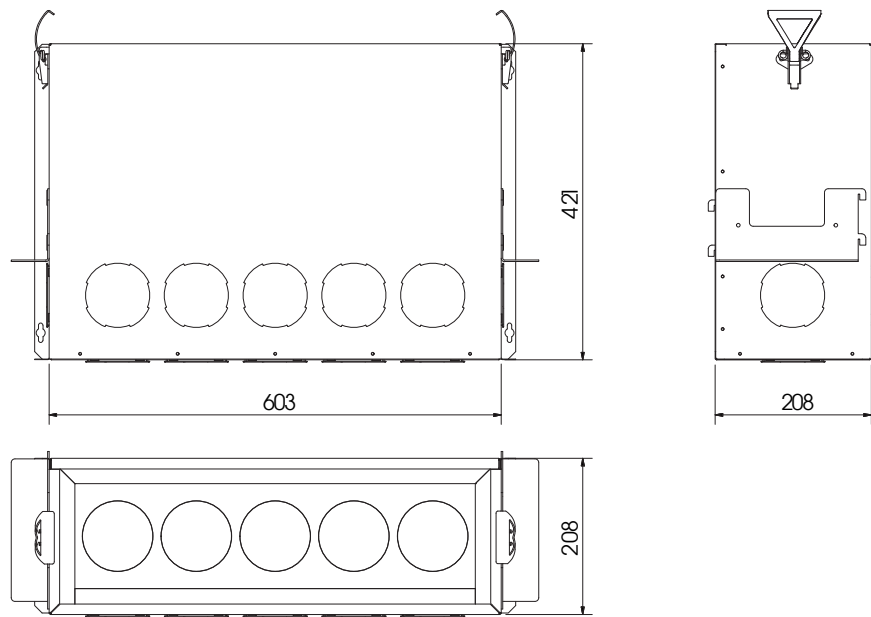


Graph obtained in combination with CADPLENUM001

Note - not recommended for use in the dotted area of the curve

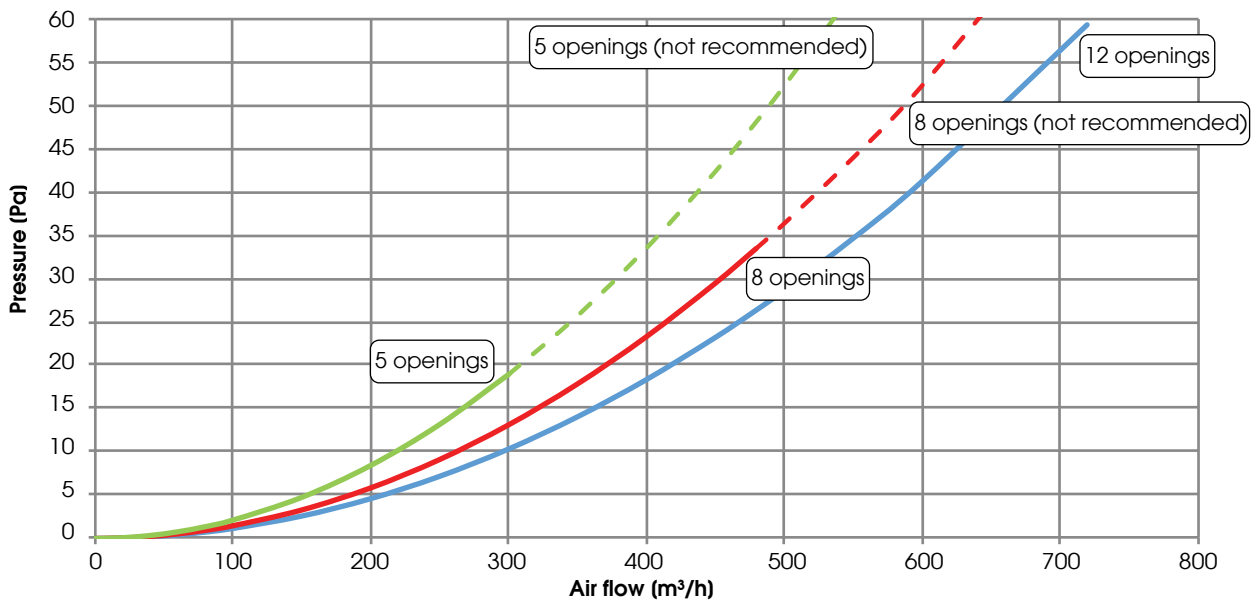
INFERIOR PART OF NOISE ATTENUATED PLENUM - high version

Inferior part of noise attenuated plenum high version - 12 connections - circular section - semirigid duct



Code	Quantity	Weight (kg)	Price (€)
CADPLENUM003	1 Pcs	7,97	340,00

— 12 openings — 8 openings - - 8 openings (not recommended)
 — 5 openings - - 5 openings (not recommended)

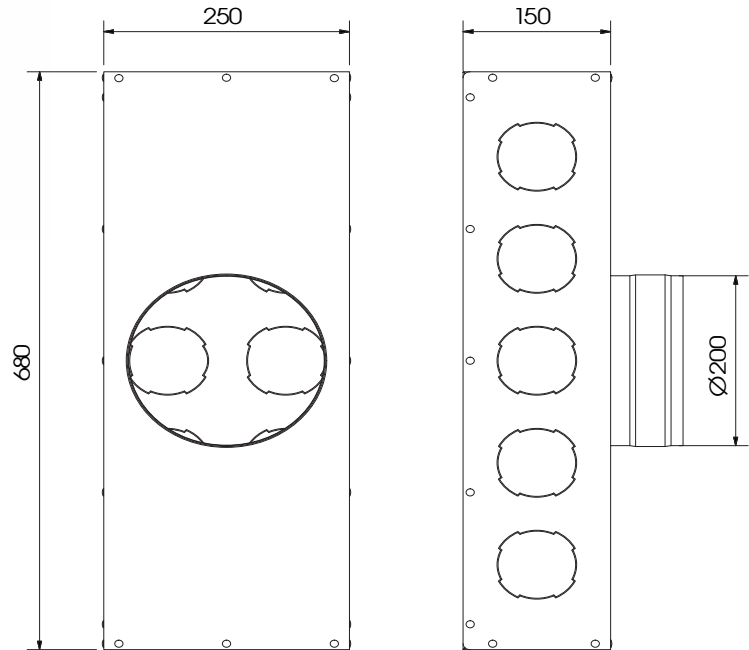
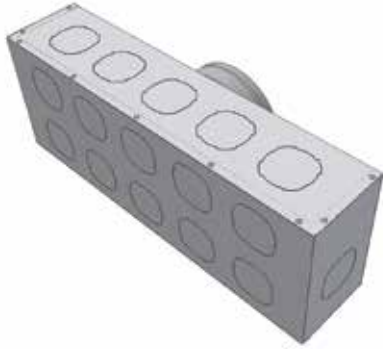


Graph obtained in combination with CADPLENUM001

Note - not recommended for use in the dotted area of the curve

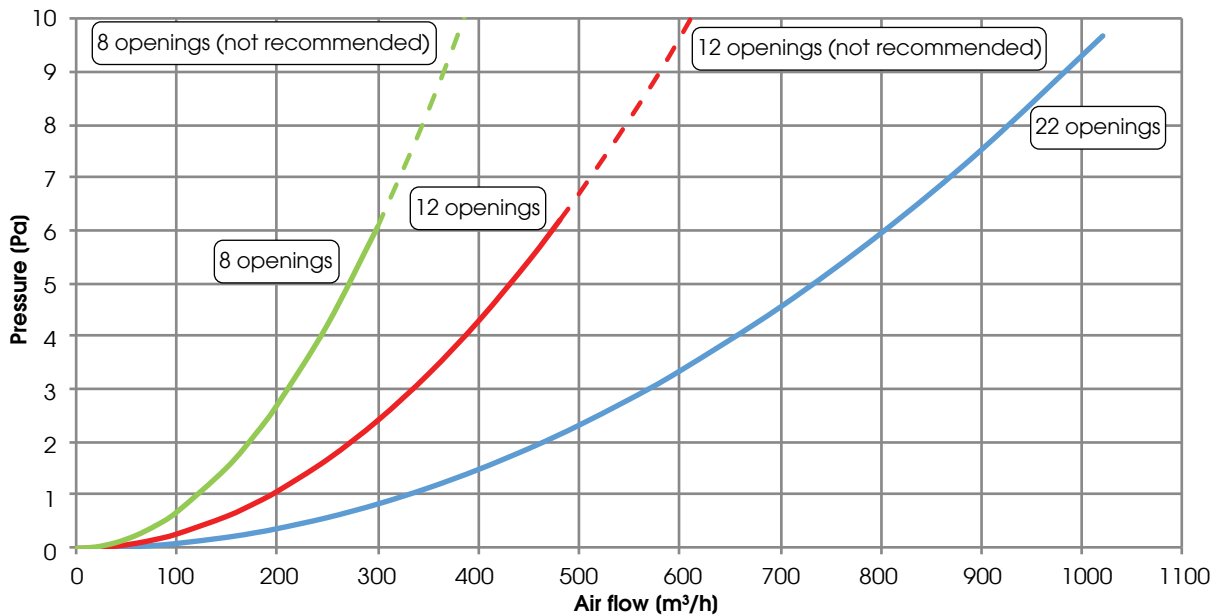
PLENUM X-AIR AND PLENUM STANDARD OF SUPPLY AND EXHAUST AIR

Insulated plenum of SUPPLY and EXHAUST / Ø 200 mm - 22 CIRCULAR connections



Code	Quantity	Weight (kg)	Price (€)
CADPLENUM011	1 Pz	8	102,00

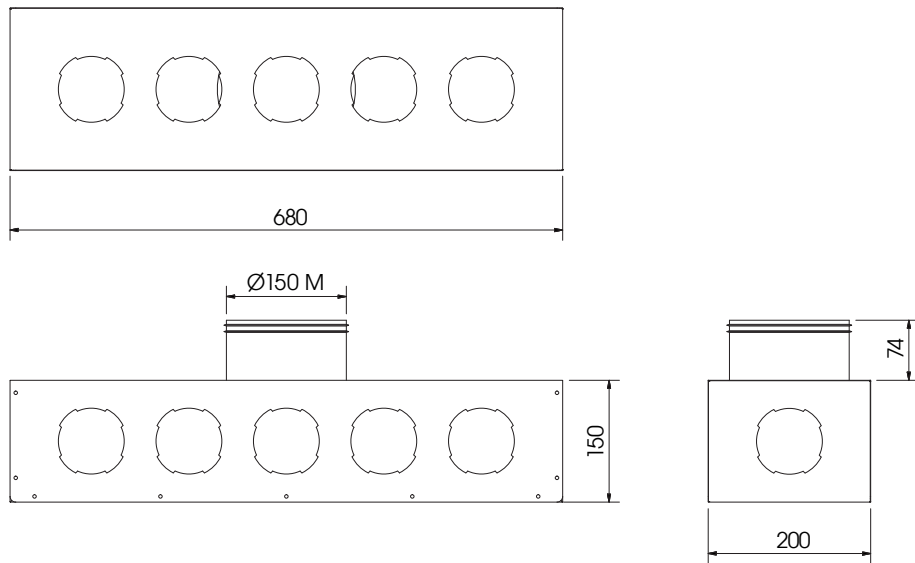
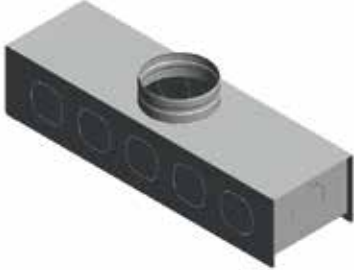
— 22 openings — 12 openings - - 12 openings (not recommended) — 8 openings - - 8 openings (not recommended)



N.B. - sconsigliato utilizzo nella zona tratteggiata della curva

INSULATED DISTRIBUTION PLENUM (supply/extraction air flow)

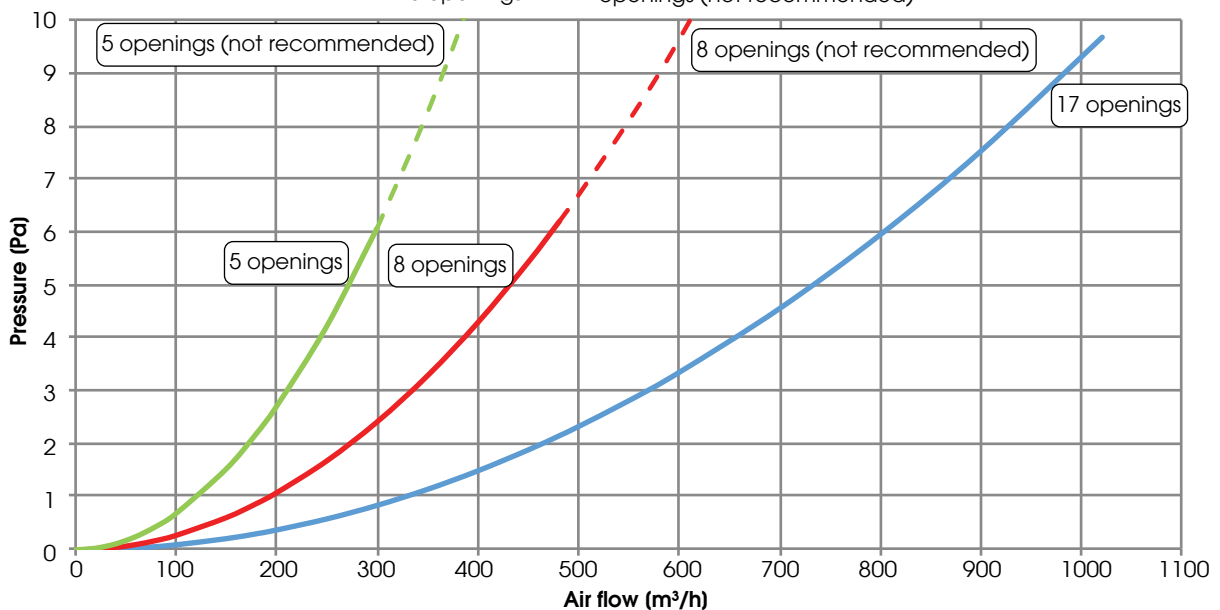
Insulated distribution plenum (supply/extraction air flow) - Ø 150 mm - 17 connections - circular section - semirigid duct



Code	Quantity	Weight (kg)	Price (€)
------	----------	-------------	-----------

CADPLENUM007	1 Pcs	3,70	91,00
--------------	-------	------	-------

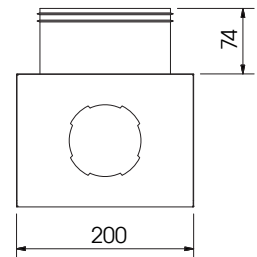
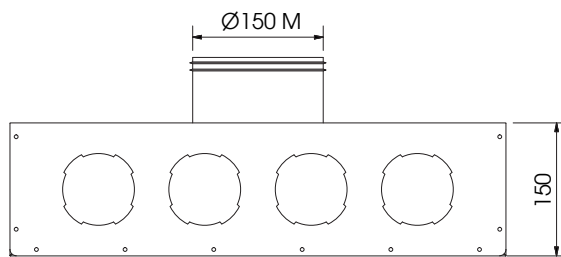
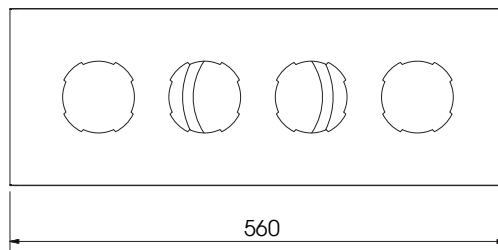
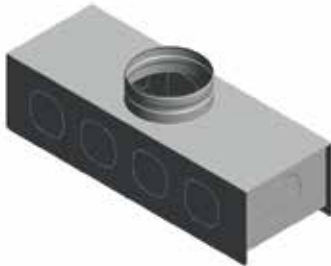
— 17 openings
 — 8 openings
 - - - 8 openings (not recommended)
 — 5 openings
 - - - 5 openings (not recommended)



Note - not recommended for use in the dotted area of the curve

INSULATED DISTRIBUTION PLENUM (supply/extraction air flow)

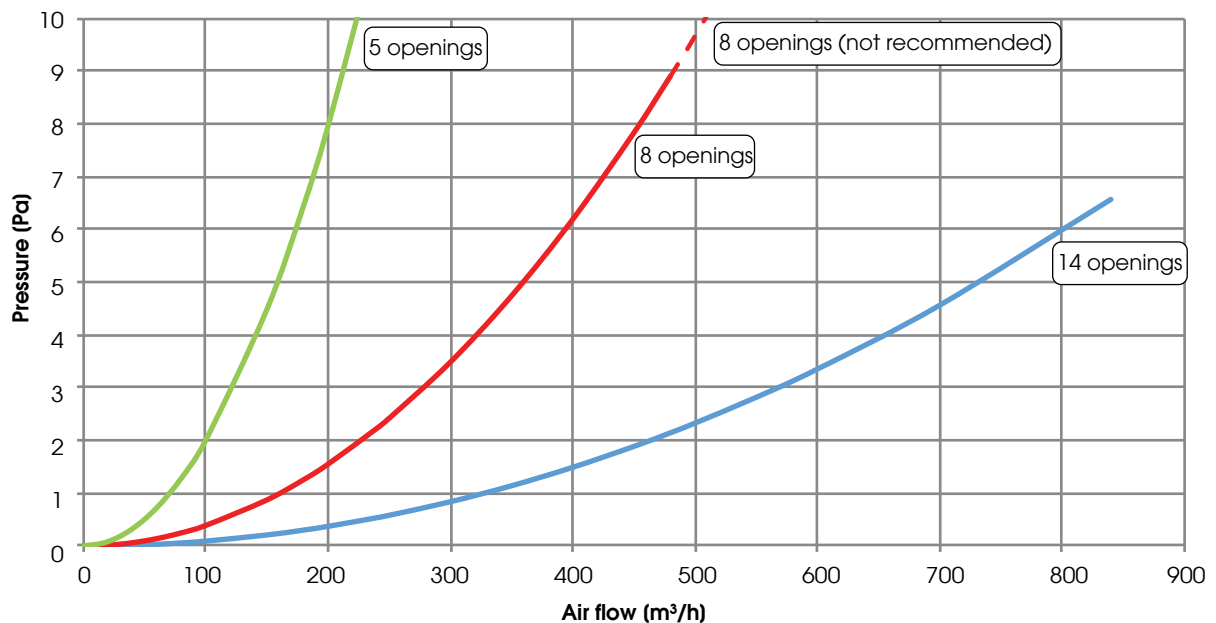
Insulated distribution plenum (supply/extraction air flow) - Ø 150 mm - 14 connections - circular section - semirigid duct



Code	Quantity	Weight (kg)	Price (€)
------	----------	-------------	-----------

CADPLENUM008	1 Pcs	2,30	89,00
--------------	-------	------	-------

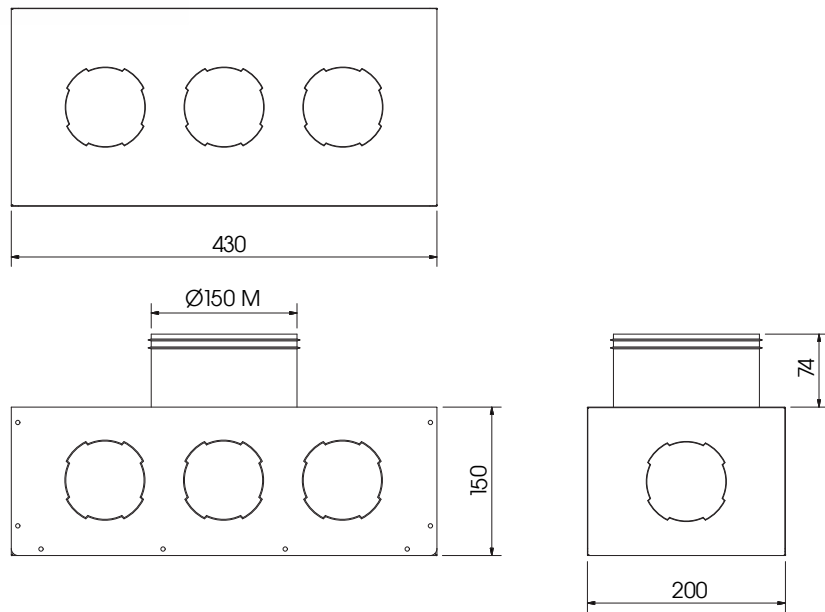
— 14 openings — 8 openings - - 8 openings (not recommended) — 5 openings



Note - not recommended for use in the dotted area of the curve

INSULATED DISTRIBUTION PLENUM (supply/extraction air flow)

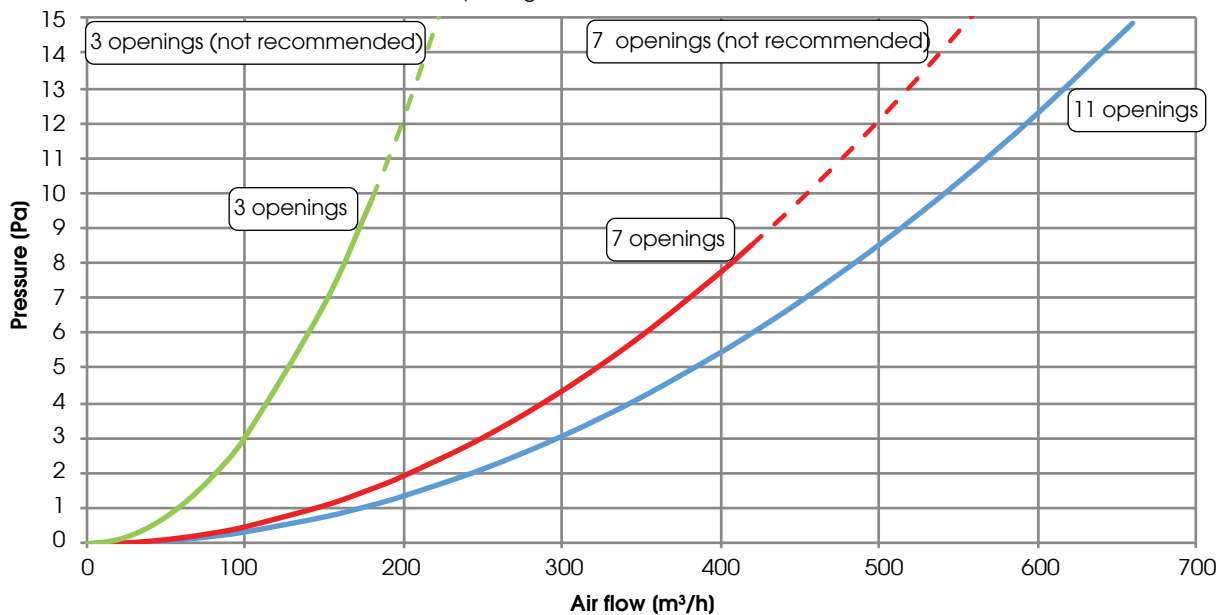
Insulated distribution plenum (supply/extraction air flow) - Ø 150 mm - 11 connections - circular section - semirigid duct



Code	Quantity	Weight (kg)	Price (€)
------	----------	-------------	-----------

CADPLENUM009	● 1 Pcs	● 1,85	● 88,00
--------------	---------	--------	---------

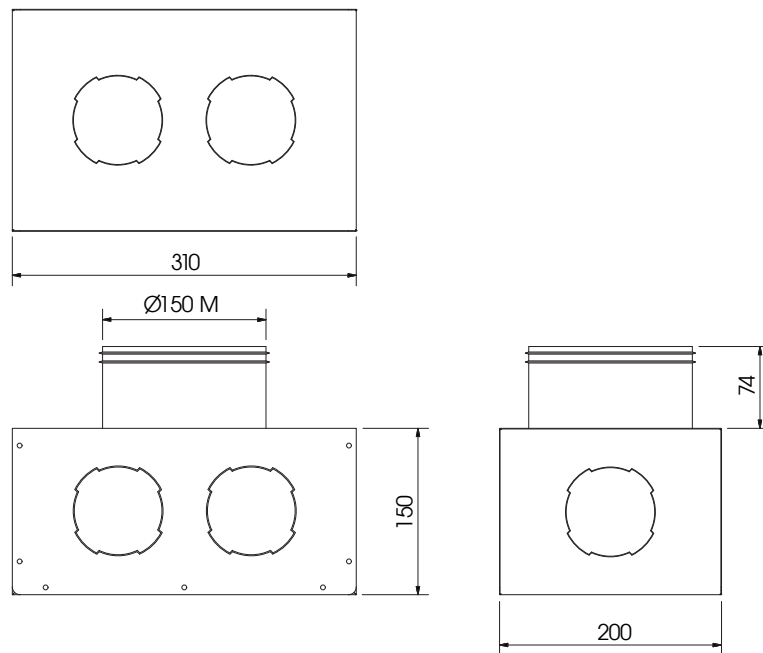
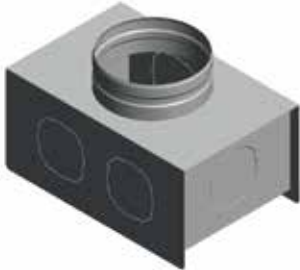
— 11 openings — 7 openings - - 7 openings (not recommended)
 — 3 openings - - 3 openings (not recommended)



Note - not recommended for use in the dotted area of the curve

INSULATED DISTRIBUTION PLENUM (supply/extraction air flow)

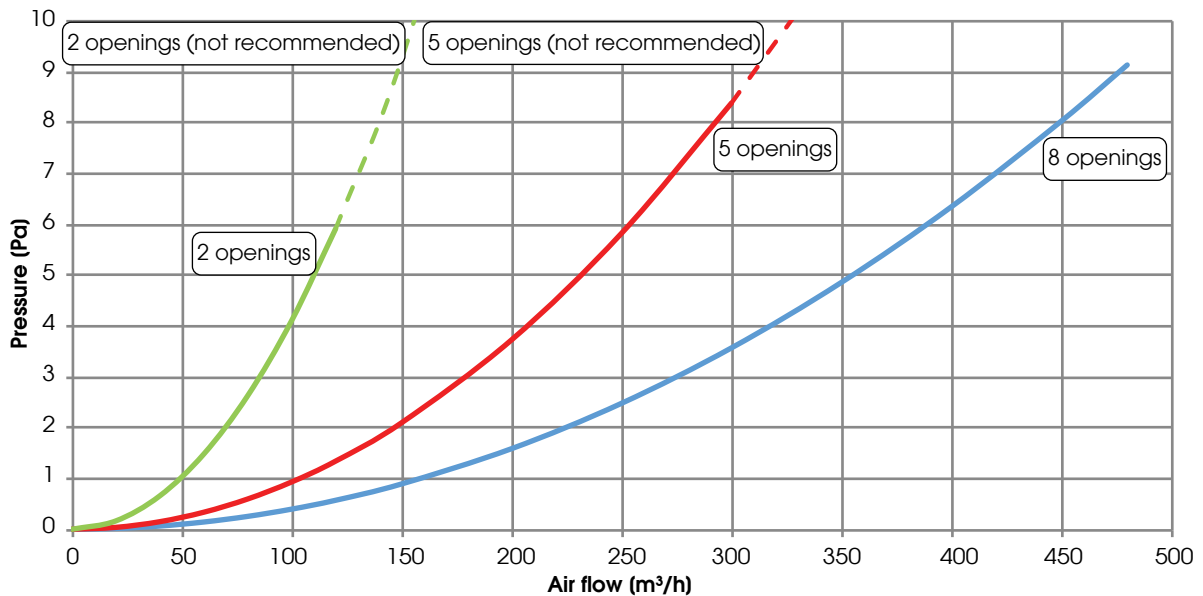
Insulated distribution plenum (supply/extraction air flow) - Ø 150 mm - 8 connections - circular section - semirigid duct



Code	Quantity	Weight (kg)	Price (€)
------	----------	-------------	-----------

CADPLENUM010	● 1 Pcs	● 1,47	● 85,00
--------------	---------	--------	---------

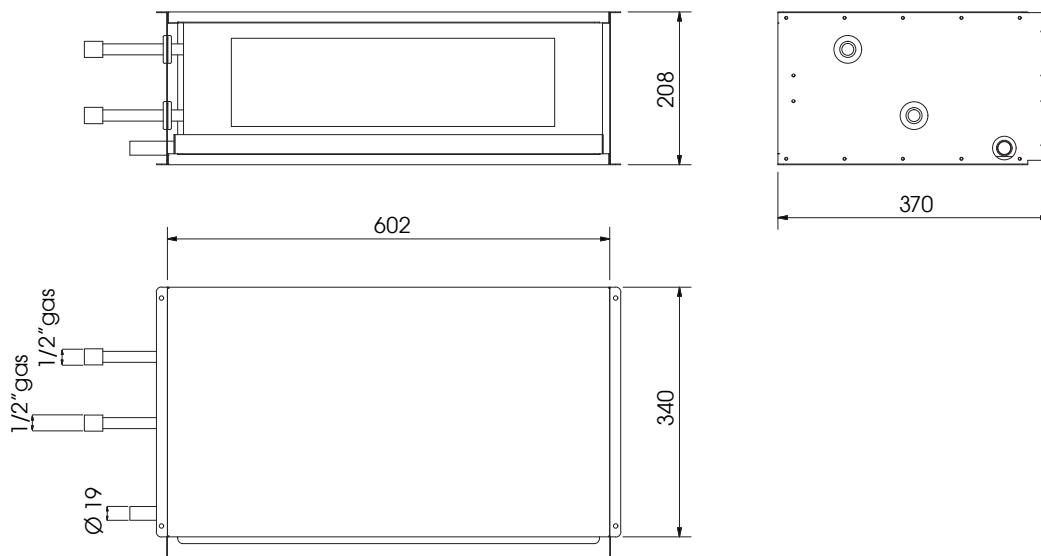
— 8 openings
 — 5 openings
 - - 5 openings (not recommended)
— 2 openings
 - - 2 openings (not recommended)



Note - not recommended for use in the dotted area of the curve

POST HEATING/COOLING WATER COIL

Post heating/cooling water coil to be installed between upper and inferior parts of noise attenuated plenum
 642x370x208 mm

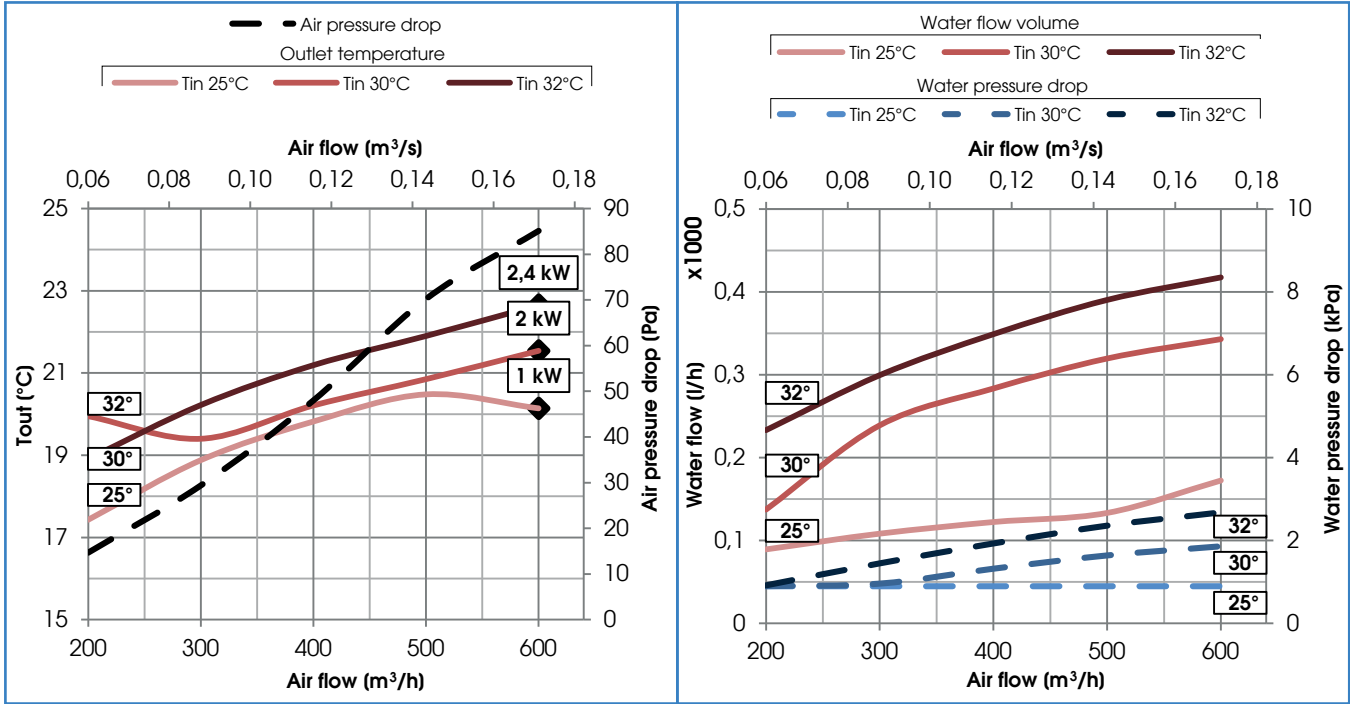


Code	Quantity	Weight (kg)	Price (€)
CADBATH2O004	1 Pcs	12,00	727,00

Note: For assembly with upper and lower plenum see p. 80
 N.B. : for cold water coils BA-AF / AC predict dedicated siphon, in addition to that of the recuperator

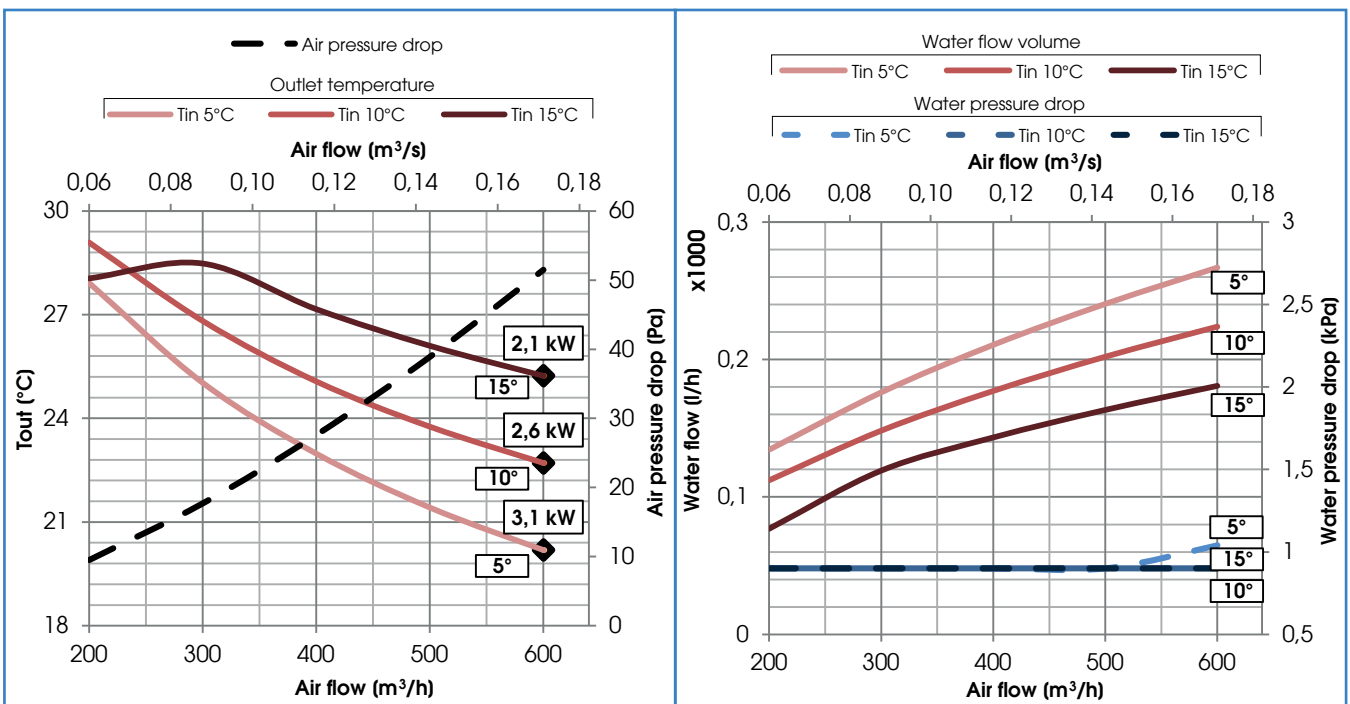
Post cooling water coil (7°C/12°C)

Ø WATER ("gas)	N. ROWS	FIN PITCH (mm)	INT.VOL. (dm ³)	MATERIAL		
				PIPE	FINS	FRAME
1/2"	4	3,0	1	Cu	Al	FeZn



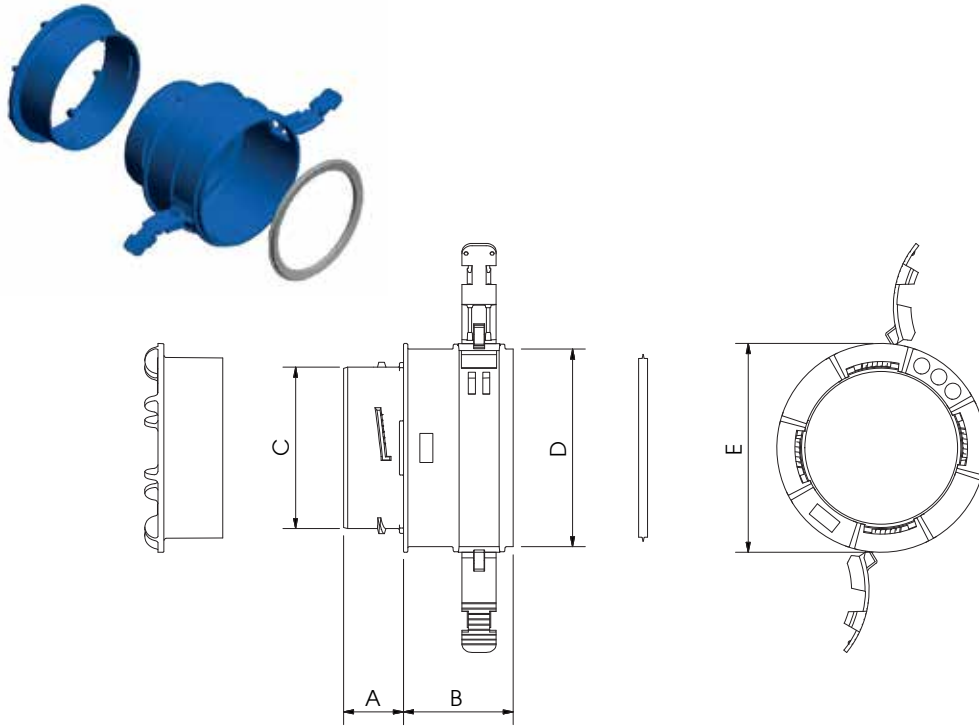
Post heating water coil (45°C/35°C)

Ø WATER ("gas)	N. ROWS	FIN PITCH (mm)	INT.VOL. (dm ³)	MATERIAL		
				PIPE	FINS	FRAME
1/2"	4	3,0	1	Cu	Al	FeZn



LINEAR CONNECTION PLENUM

Linear Connection plenum semirigid duct, with seal



Dimensions (mm)

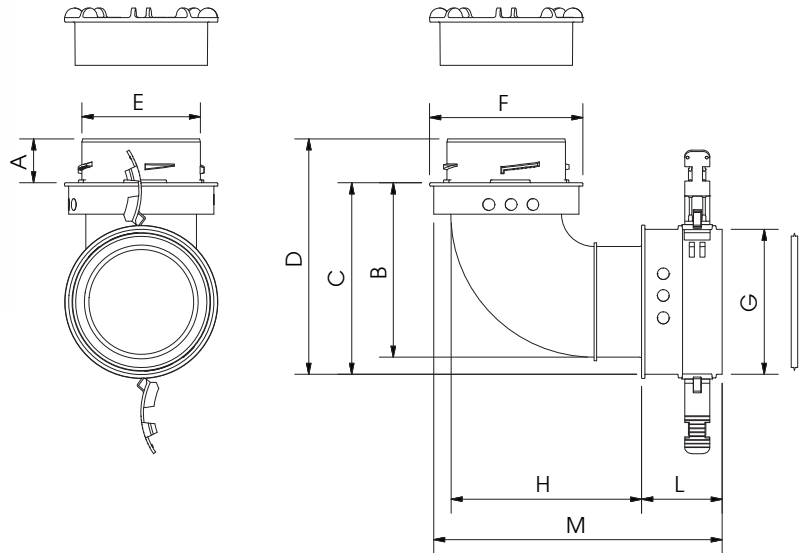
Code	Duct	A	B	C	D	E
CADCONACC001	Ø 90/76	30	55	80	98	104
CADCONACC002	Ø 75/63	30	52	80	83	104

Code	Quantity	Weight (kg)	Price (€)	Packaging. dim. (mm)
CADCONACC001	● 1 Pcs	● 0,12	● 15,00	● -
CADCONACC001-P	● 1 conf (12 Pcs)	● 1,74	● 150,00 (ea.12,50)	● 320x240x250 h
CADCONACC002	● 1 Pcs	● 0,10	● 13,80	● -
CADCONACC002-P	● 1 conf (12 Pcs)	● 1,50	● 138,00 (ea.11,50)	● 320x240x250 h

NOTE: for installing the connection on a plenum, see on page 81

90° CURVED CONNECTION PLENUM

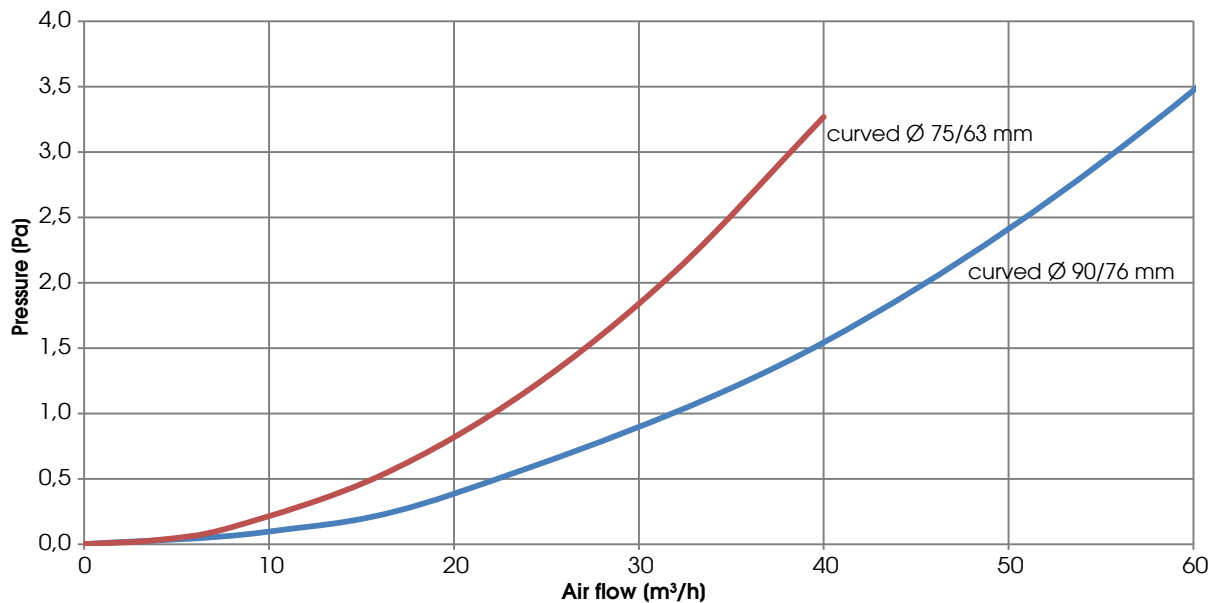
90° curved Connection plenum semirigid duct, with seal



Dimensions (mm)

Code	Duct	A	B	C	D	E	F	G	H	L	M
CADCONACC003	Ø 90/76	30	118	130	160	80	104	98	129	55	196
CADCONACC004	Ø 75/63	30	99	108	136	80	104	83	114	47	176

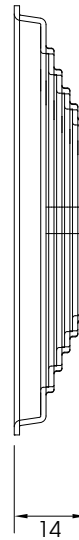
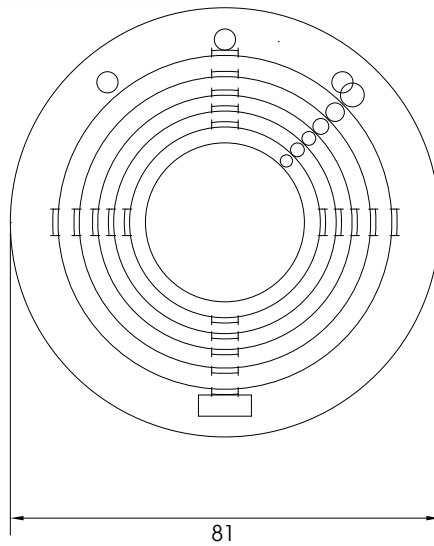
Code	Quantity	Weight (kg)	Price (€)	Packaging. dim. (mm)
CADCONACC003	● 1 Pcs	● 0,9	● 56,40	● -
CADCONACC003-P	● 1 conf (12 Pcs)	● 11,1	● 564,00 (ea.47,00)	● 480x360x250 h
CADCONACC004	● 1 Pcs	● 0,7	● 56,40	● -
CADCONACC004-P	● 1 conf (12 Pcs)	● 8,7	● 564,00 (ea.47,00)	● 480x360x250 h



NOTE: for installing the connection on a plenum, see on page 81

ADJUSTABLE DIAPHRAGM

Adjustable diaphragm (air flow balancing)



Code	Quantity	Weight (kg)	Price (€)	Packaging. dim. (mm)
CADCONACC005	● 6 Pcs	● 0,01	● 36,00 (ea.6,00)	● -
CADCONACC005-P	● 1 conf (24 Pcs)	● 0,54	● 120,00 (ea.5,00)	● 105x105x105 h

NOTE: for choice and positioning see pag. 82

SEMIRIGID DUCT

Semirigid duct supply air flow (BLUE) and extraction air flow (RED)
 \varnothing 90/76 mm (external: 90+1,5/-1,0; internal 74,5-76,5) and \varnothing 75/63 mm (external: 75+1,4/-1,0; internal 59,0-62,0)

NOTE: curvature radius MIN \varnothing 75/63 = 0,26 m, \varnothing 90/76 = 0,33 m

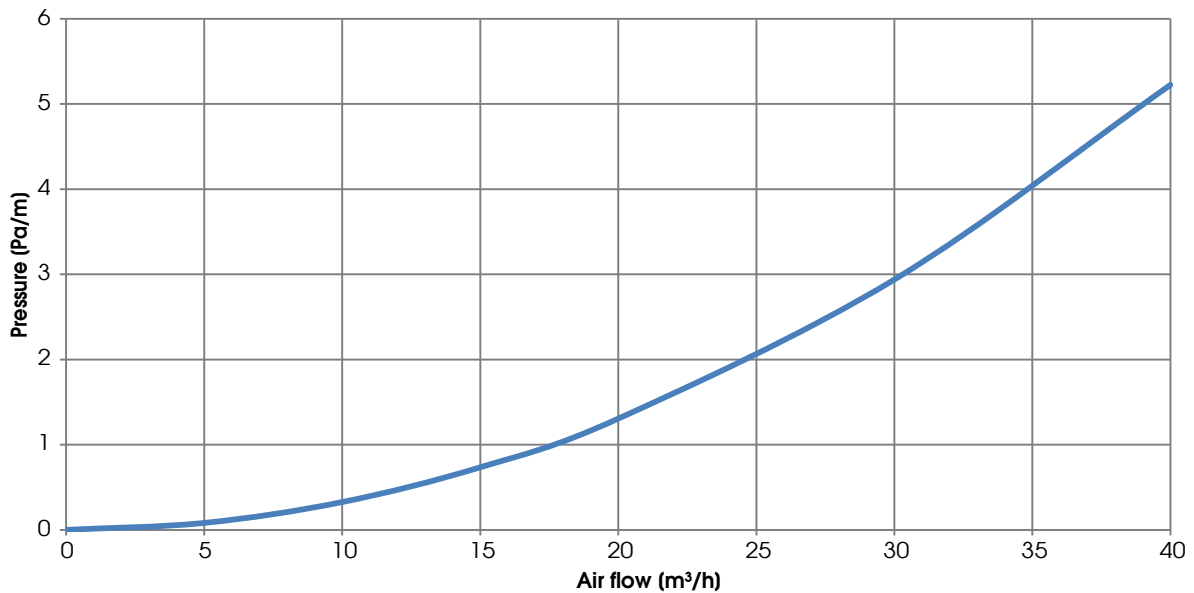


Interior of the duct in LDPE (Low Density PolyEthylene) treated with antibacterial and antifungal protection. Exterior in HDPE (High Density PolyEthylene)

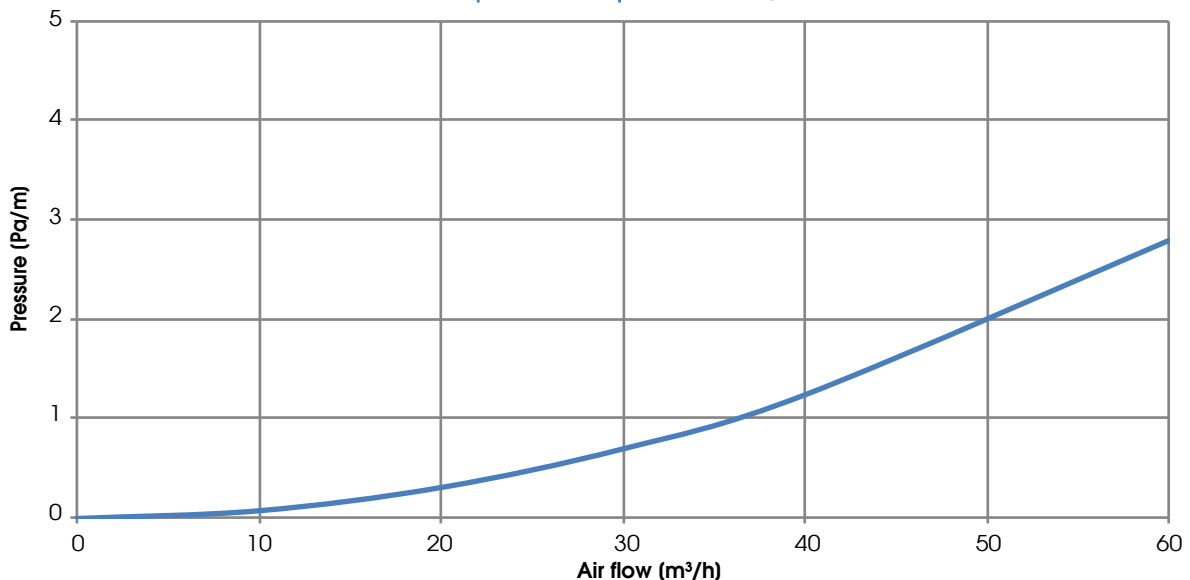
The internal smooth lining facilitates the air flow with very low pressure loss

Code	Quantity	Weight (kg)	Price (€)	Packaging dim. (mm)
CADCONACC008 (D.90/76)	50 m (BLUE)	28,00	280,00	1300x1300x500 h
CADCONACC009 (D.75/63)	50 m (BLUE)	15,00	210,00	1200x1200x500 h
CADCONACC010 (D.90/76)	50 m (RED)	28,00	280,00	1300x1300x500 h
CADCONACC011 (D.75/63)	50 m (RED)	15,00	210,00	1200x1200x500 h

Air pressure drop - duct \varnothing 75/63 mm

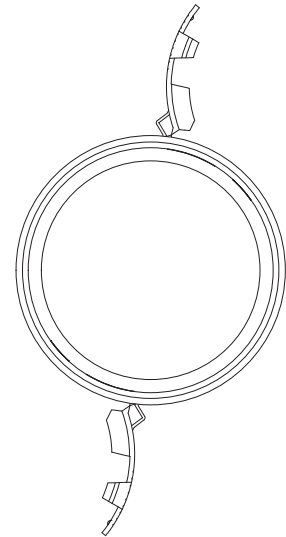
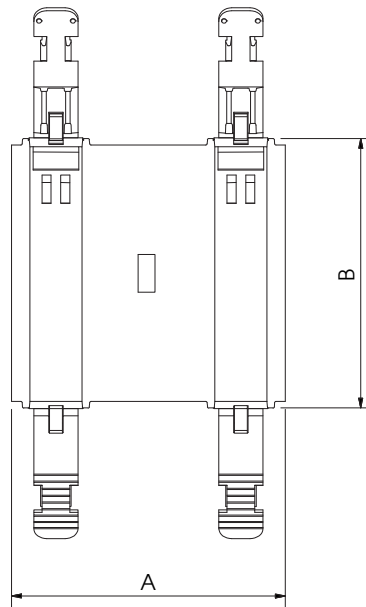


Air pressure drop - duct \varnothing 90/76 mm



LINEAR JUNCTION

Linear Junction device between two semirigid ducts, with two seals



Dimensions (mm)

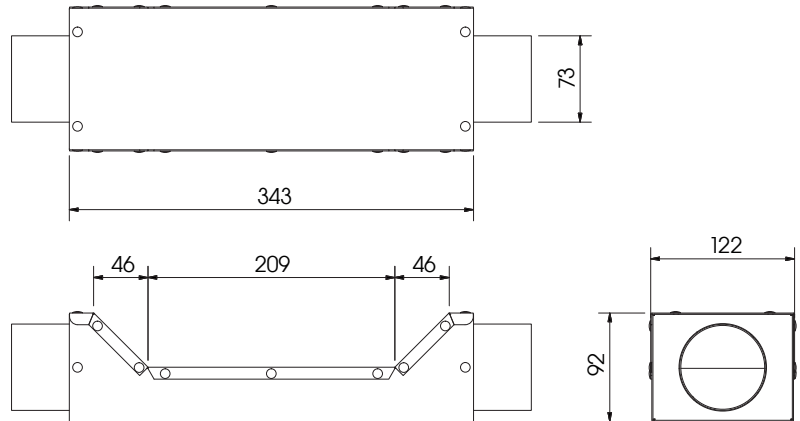
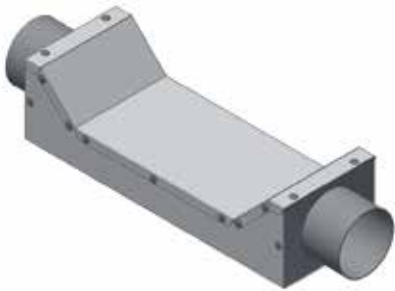
Code	Duct	A	B
CADCONACC016	Ø 90/76	105	104
CADCONACC017	Ø 75/63	105	88

Code	Quantity	Weight (kg)	Price (€)	Packaging dim. (mm)
CADCONACC016	● 1 Pcs	● 0,13	● 15,60	● -
CADCONACC016-P	● 1 conf (12 Pcs)	● 1,86	● 156,00 (ea.13,00)	● 320x240x250 h
CADCONACC017	● 1 Pcs	● 0,13	● 13,20	● -
CADCONACC017-P	● 1 conf (12 Pcs)	● 1,86	● 132,00 (ea.11,00)	● 320x240x250 h

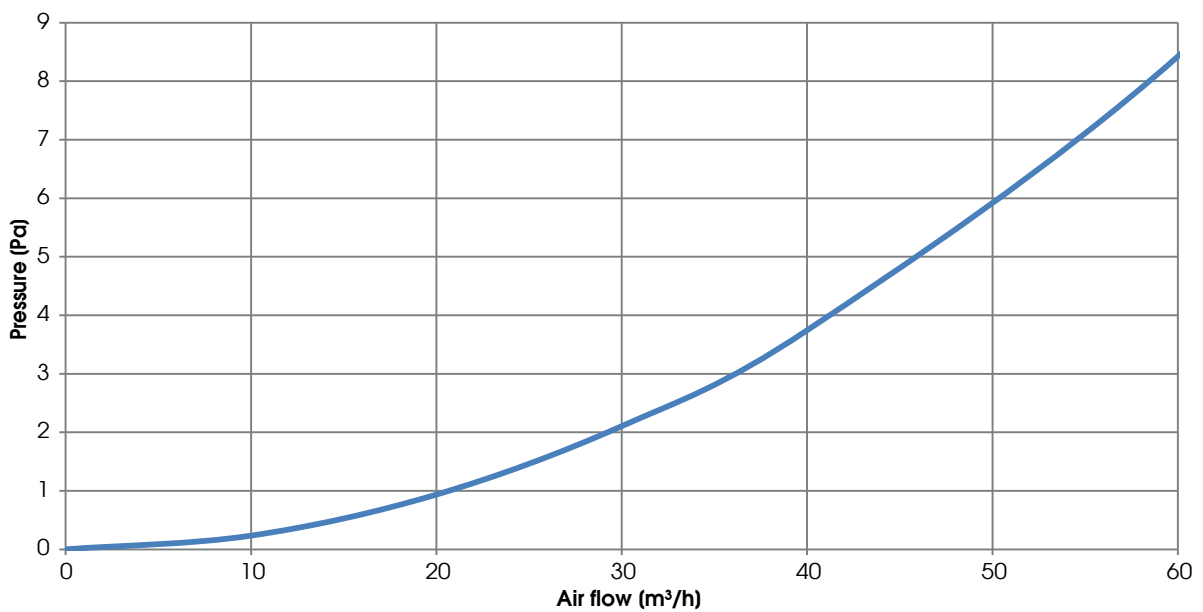
DEVICE FOR X CROSSING

Device for X crossing circular section semirigid ducts $\varnothing 90/76$ mm

NOTE: usable for crossing between 2 semirigid ducts or 1 semirigid duct and other ducts



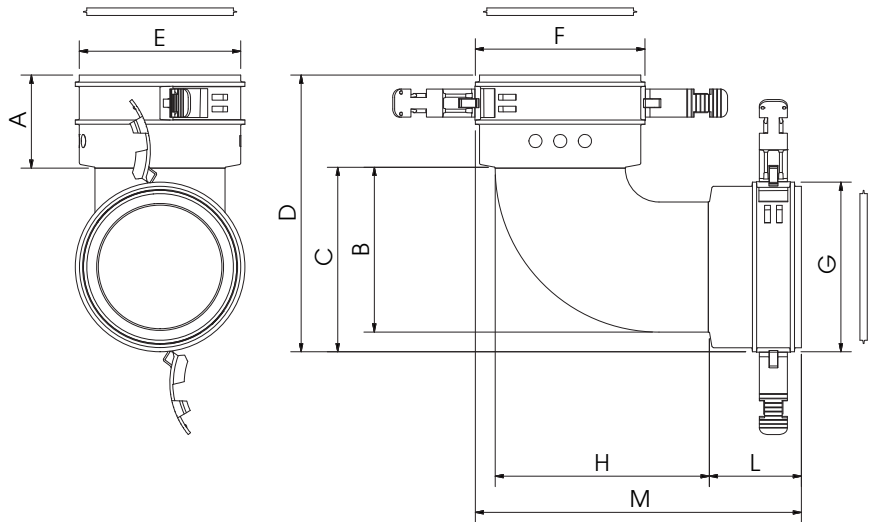
Code	Quantity	Weight (kg)	Price (€)	Packaging dim. (mm)
CADRACCAT003	1 Pcs	1,13	62,00	-



Note: for matching between 2 crossing see page 84

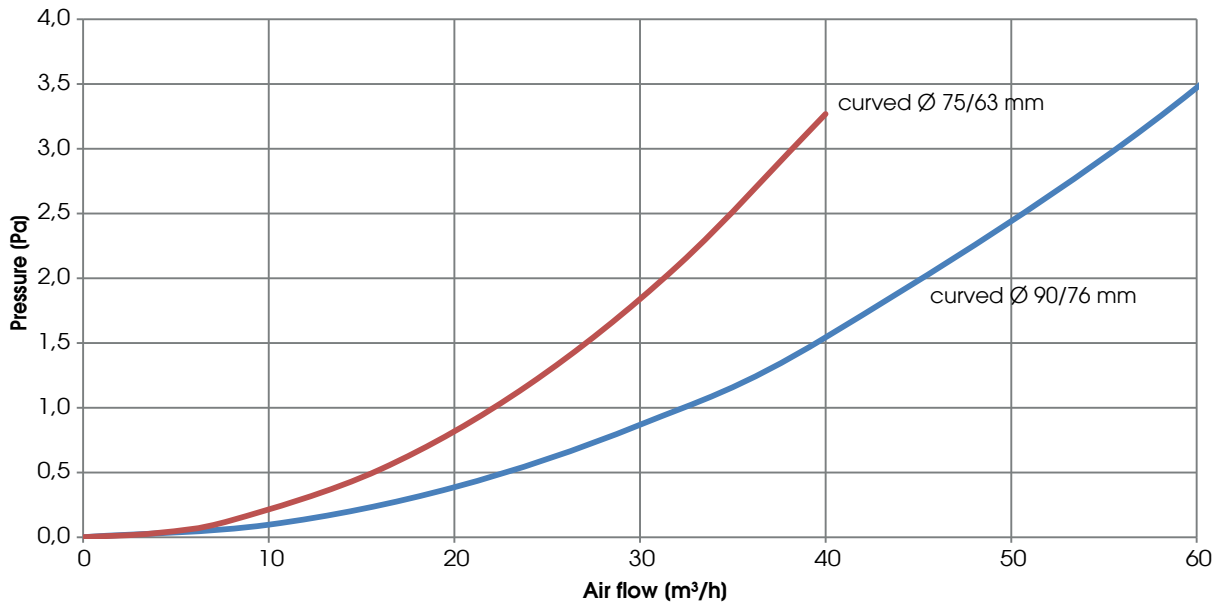
90° CURVED JUNCTION

90° curved Junction device between two semirigid ducts, with two seals



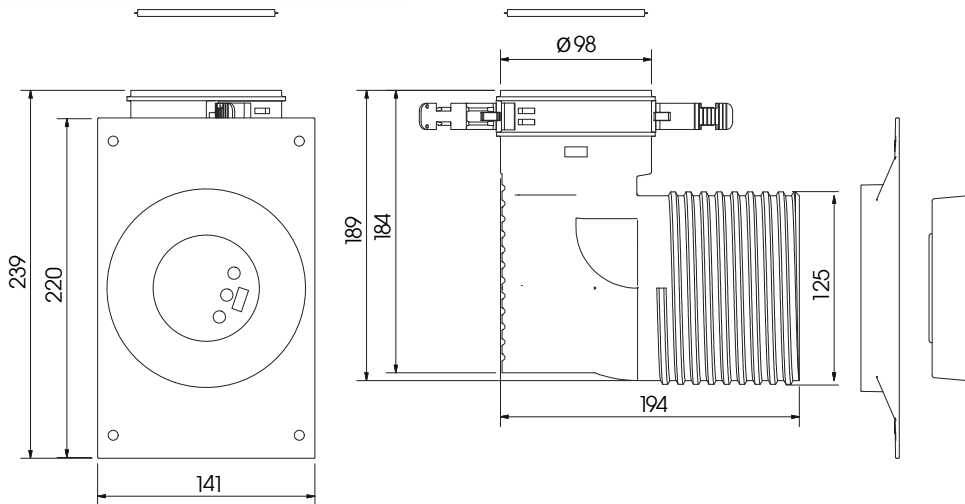
Code	Duct	A	B	C	D	E	F	G	H	L	M
CADCONACC018	Ø 90/76	57	100	112	168	98	103	98	130	56	198
CADCONACC019	Ø 75/63	47	89	100	147	83	88	88	114	47	172

Code	Quantity	Weight (kg)	Price (€)	Packaging dim. (mm)
CADCONACC018	● 1 Pc	● 0,17	● 21,60	● -
CADCONACC018-P	● 1 conf (12 Pcs)	● 2,53	● 216,00 (ea.18,00)	● 440x330x250 h
CADCONACC019	● 1 Pc	● 1,14	● 20,40	● -
CADCONACC019-P	● 1 conf (12 Pcs)	● 1,95	● 204,00 (ea.17,00)	● 480x360x250 h

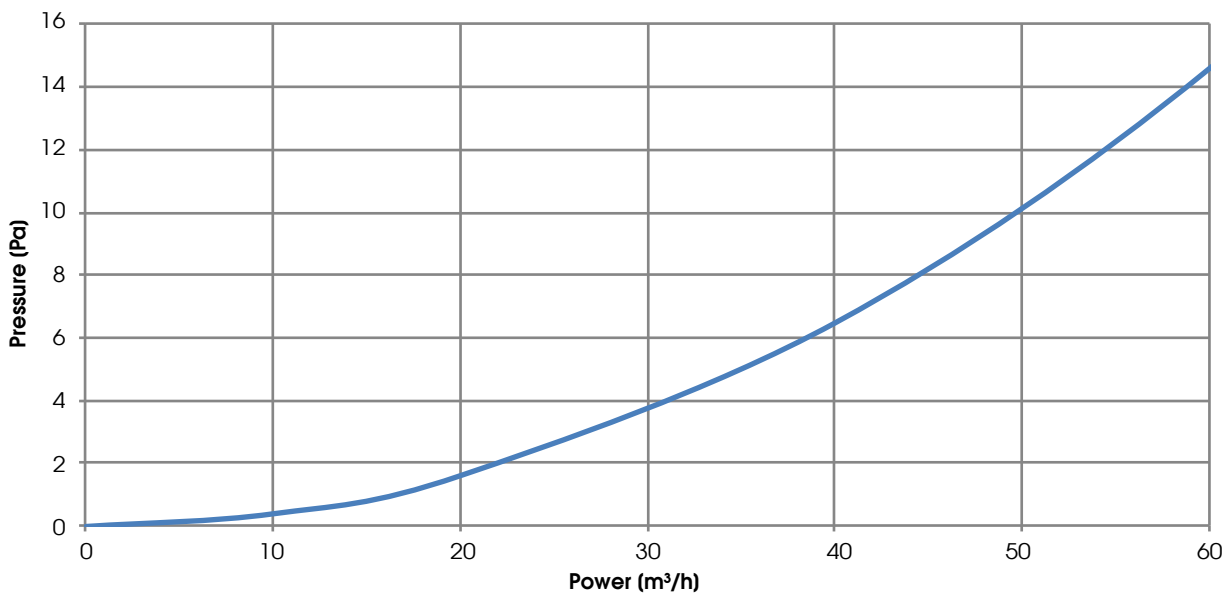


90° CURVED TERMINAL DEVICE

90° curved Terminal device between semirigid duct - 90/76 mm - (with seal) and ventilation valve



Code	Quantity	Weight (kg)	Price (€)	Packaging dim. (mm)
CADCONACC022	● 1 Pcs	● 0,33	● 33,60	● -
CADCONACC022-P	● 1 conf (12 Pcs)	● 4,16	● 336,00 (ea.28,00)	● 480x360x500 h

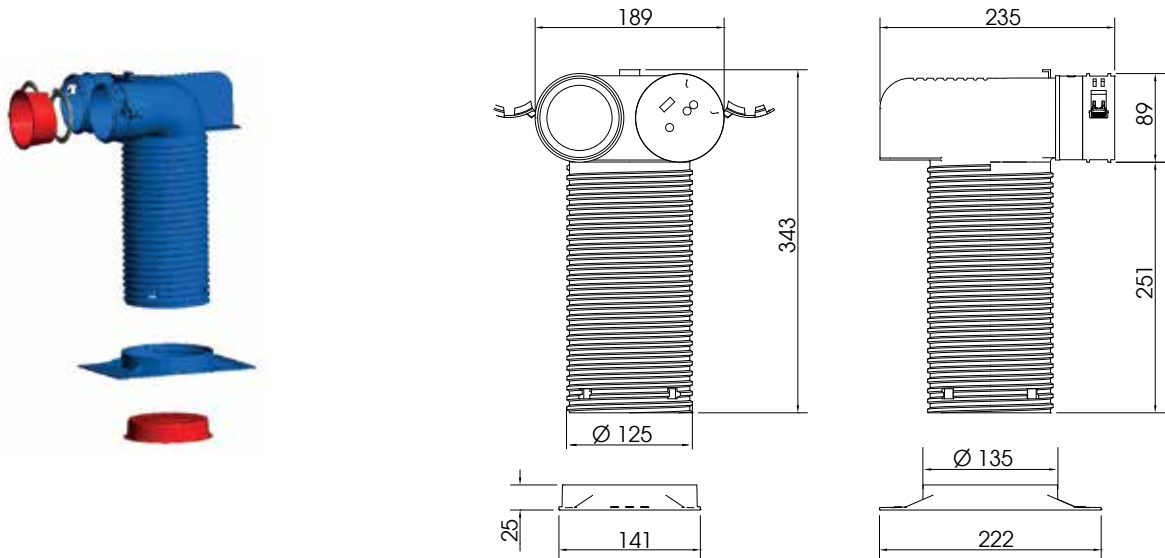


Air pressure drop graphic measured by valve CADTERDIF004

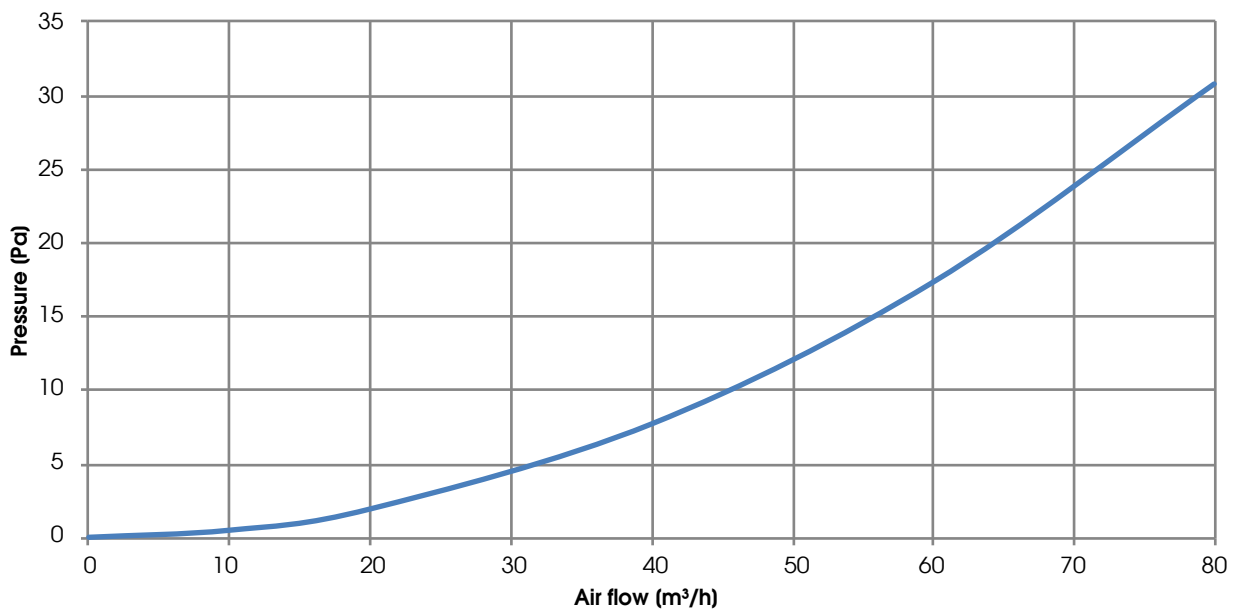
90° CURVED TERMINAL DEVICE

90° curved Terminal device between semirigid duct - 75/63 mm - (with seal) and ventilation valve

NOTE: for single connection leave the cover - Ø 75/63 mm



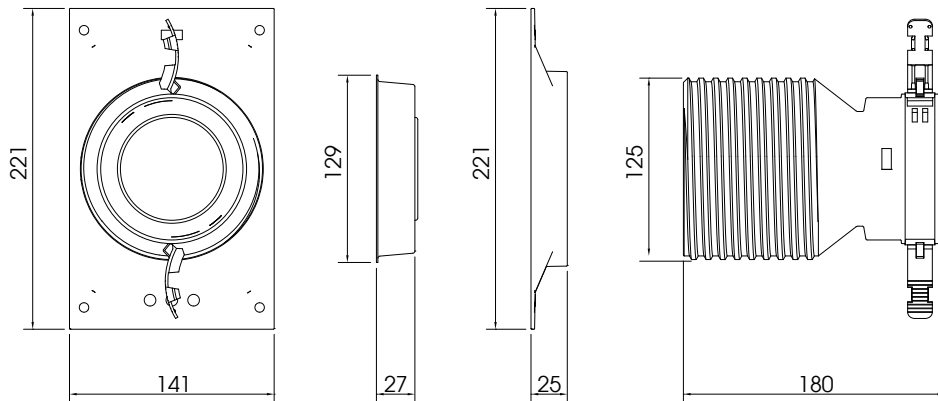
Code	Quantity	Weight (kg)	Price (€)	Packaging dlm. (mm)
CADCONACC023	● 1 Pcs	● 0,53	● 58,80	● -
CADCONACC023-P	● 1 conf (12 Pcs)	● 6,66	● 588,00 (ea.49,00)	● 770x345x600 h



Air pressure drop graphic measured by valve CADTERDIF004

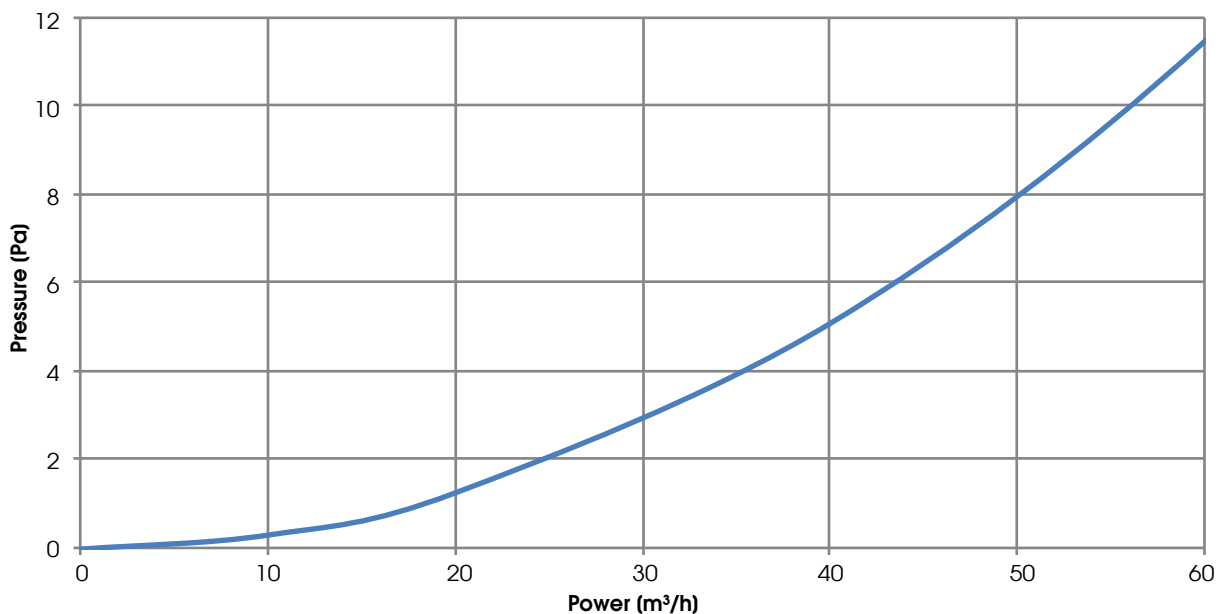
LINEAR TERMINAL DEVICE

Linear Terminal device between semirigid duct - 90/76 mm - (with seal) and ventilation valve



Code	Quantity	Weight (kg)	Price (€)	Packaging dim. (mm)
------	----------	-------------	-----------	---------------------

CADCONACC024	● 1 Pcs	● 0,26	● 33,60	● -
CADCONACC024-P	● 1 conf (12 Pcs)	● 3,42	● 336,00 (ea.28,00)	● 560x420x250 h

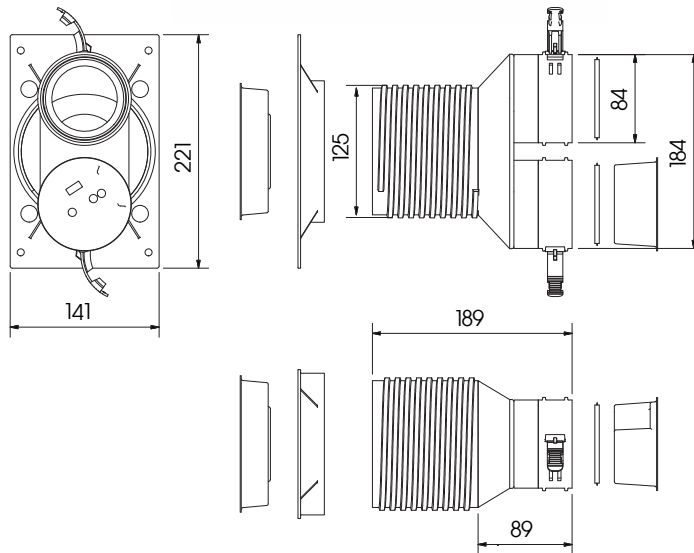


Air pressure drop graphic measured by valve CADTERDIF004

LINEAR TERMINAL DEVICE

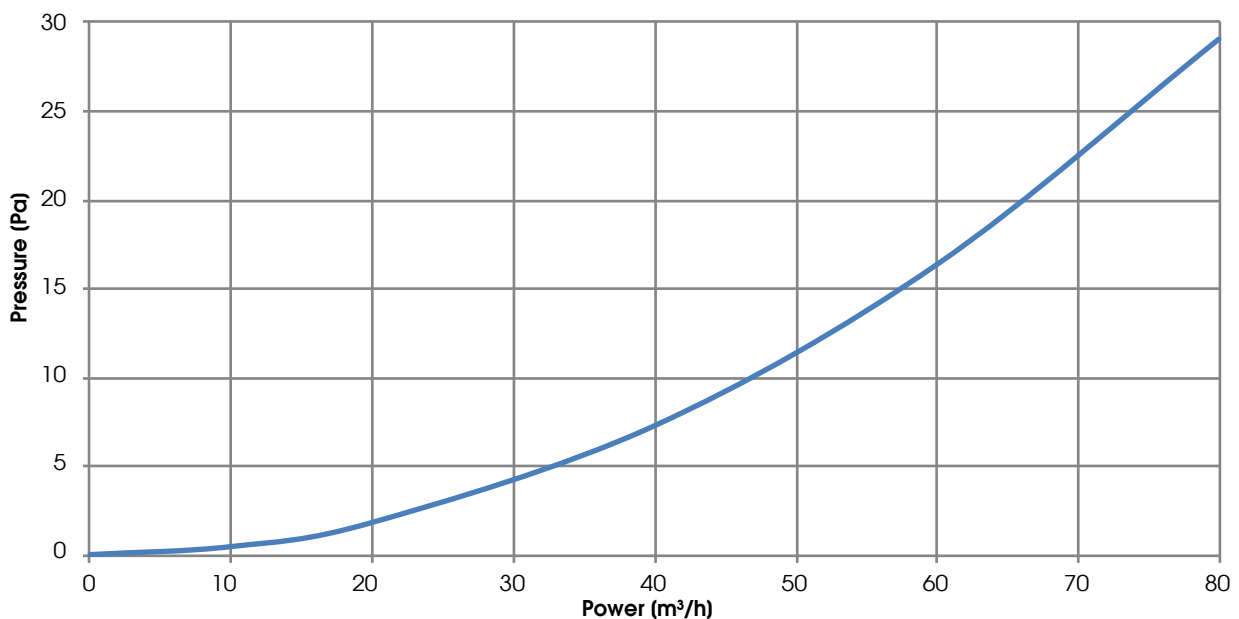
Linear Terminal device between semirigid duct - 75/63 mm - (with seal) and ventilation valve

NOTE: for single connection leave the cover - Ø 75/63 mm



Code	Quantity	Weight (kg)	Price (€)	Packaging dim. (mm)
------	----------	-------------	-----------	---------------------

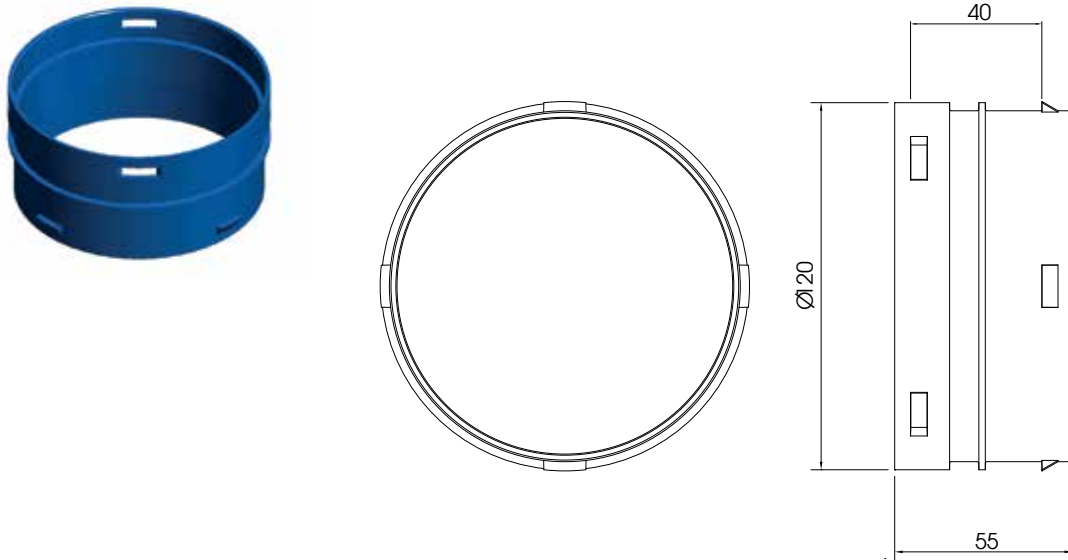
CADCONACC025	● 1 Pcs	● 0,35	● 58,80	● -
CADCONACC025-P	● 1 conf (12 Pcs)	● 4,50	● 588,00 (ea.49,00)	● 480x360x500 h



Air pressure drop graphic measured by valve CADTERDIF004

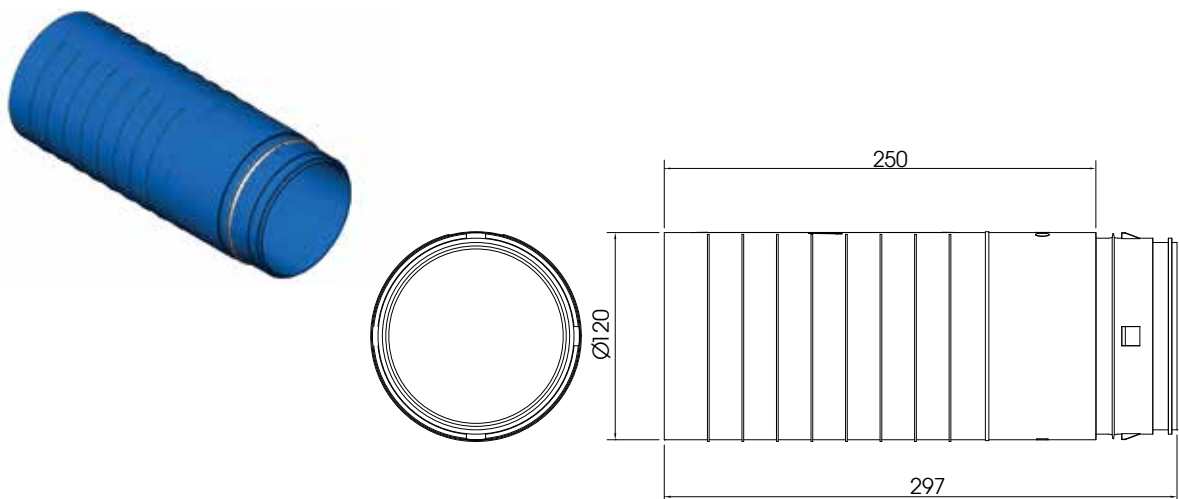
MODULAR EXTENSION

Modular extension - it increases the length of 40 mm for the linear terminal CADCONACC024-025 or for the 90° curved terminals CADCONACC022-023



Code	Quantity	Weight (kg)	Price (€)	Packaging dim. (mm)
CADCONACC026	● 1 Pcs	● 0,05	● 9,60	● -
CADCONACC026-P	● 1 conf (12 Pcs)	● 0,90	● 96,00 (cad.8,00)	● 240x180x250 h

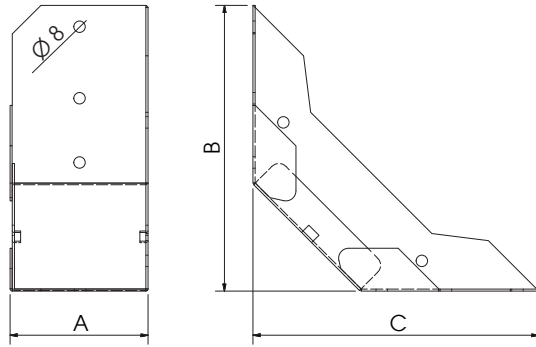
Extension FIXED: it increases the length of 250 mm for the linear terminal CADCONACC024-025 or for the 90° curved terminals CADCONACC022-023. The length can be easily reduced with a cutter.



Code	Quantity	Weight (kg)	Price (€)	Packaging dim. (mm)
CADCONACC027	● 1 Pcs	● 0,18	● 24,00	● -
CADCONACC027-P	● 1 conf (6 Pcs)	● 1,38	● 120,00 (ea. 20,00)	● 480x360x250 h

METALLIC SUPPORT

Metallic support for 90° curving of semirigid duct Ø 90/76 mm and Ø 75/63 mm with band to hold the pipe

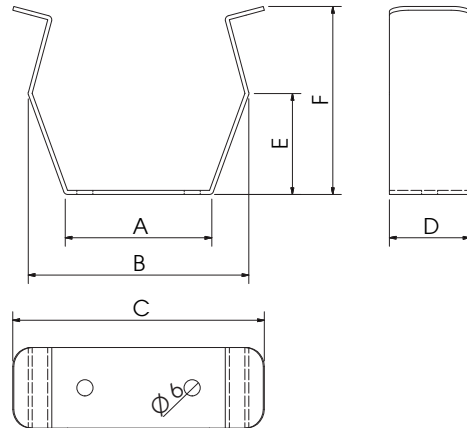


Dimensions (mm)

Code	Duct	A	B	C
CADCONACC012	Ø 90/76	97	200	200
CADCONACC013	Ø 75/63	82	190	190

Code	Quantity	Weight (kg)	Price (€)	Packaging dim. (mm)
CADCONACC012	● 1 Pcs	● 0,58	● 15,50	● -
CADCONACC013	● 1 Pcs	● 0,50	● 15,00	● -

Metallic support for semirigid duct fixing Ø 90/76 mm and Ø 75/63 mm - steel galvanized



Dimensions (mm)

Code	Duct	A	B	C	D	E	F
CADCONACC014	Ø 90/76	70	97	85	30	38	104
CADCONACC015	Ø 75/63	55	82	101	30	38	85

Code	Quantity	Weight (kg)	Price (€)	Packaging dim. (mm)
CADCONACC014	● 1 conf (12 Pcs)	● 1,08	● 42,00 (ea.3,50)	● -
CADCONACC014-P	● 1 conf (24 Pcs)	● 2,16	● 74,40 (ea.3,01)	● -
CADCONACC015	● 1 conf (12 Pcs)	● 0,84	● 42,00 (ea.3,50)	● -
CADCONACC015-P	● 1 conf (24 Pcs)	● 1,68	● 74,40 (ea.3,01)	● -

VENTILATION VALVE



CADTERDIF001

Ventilation valve 4 way, fix fins
Ø120 mm, Ø frontal 160 mm



CADTERDIF002

Ventilation valve revolving, 360°
Ø120 mm, Ø frontal 160 mm



CADTERDIF003

Cone ventilation valve
Ø120 mm, Ø frontal 160 mm



CADTERDIF004

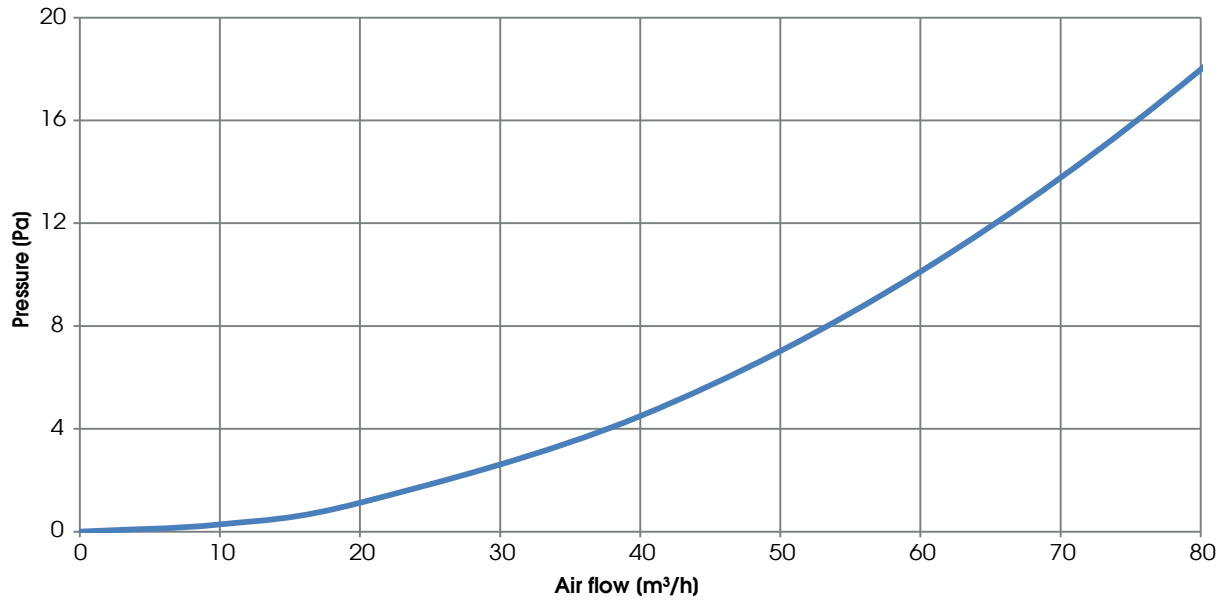
Disc ventilation valve
Ø120 mm, Ø frontal 160 mm

Code	Quantity	Weight (kg)	Price (€)	Packaging dlm. (mm)
CADTERDIF001	● 1 Pcs ●	● 0,17 ●	● 24,00 ●	● - ●
CADTERDIF001-P	● 1 conf (12 Pcs) ●	● 2,34 ●	● 240,00 (ea.20,00) ●	● 400X300X250 h ●
CADTERDIF002	● 1 Pcs ●	● 0,25 ●	● 24,00 ●	● - ●
CADTERDIF002-P	● 1 conf (12 Pcs) ●	● 3,30 ●	● 240,00 (ea.20,00) ●	● 400X300X250 h ●
CADTERDIF003	● 1Pcs ●	● 0,21 ●	● 24,00 ●	● - ●
CADTERDIF003-P	● 1 conf (12 Pcs) ●	● 2,82 ●	● 240,00 (ea.20,00) ●	● 400X300X250 h ●
CADTERDIF004	● 1 Pcs ●	● 0,23 ●	● 24,00 ●	● - ●
CADTERDIF004-P	● 1 conf (12 Pcs) ●	● 3,06 ●	● 240,00 (ea.20,00) ●	● 400X300X250 h ●

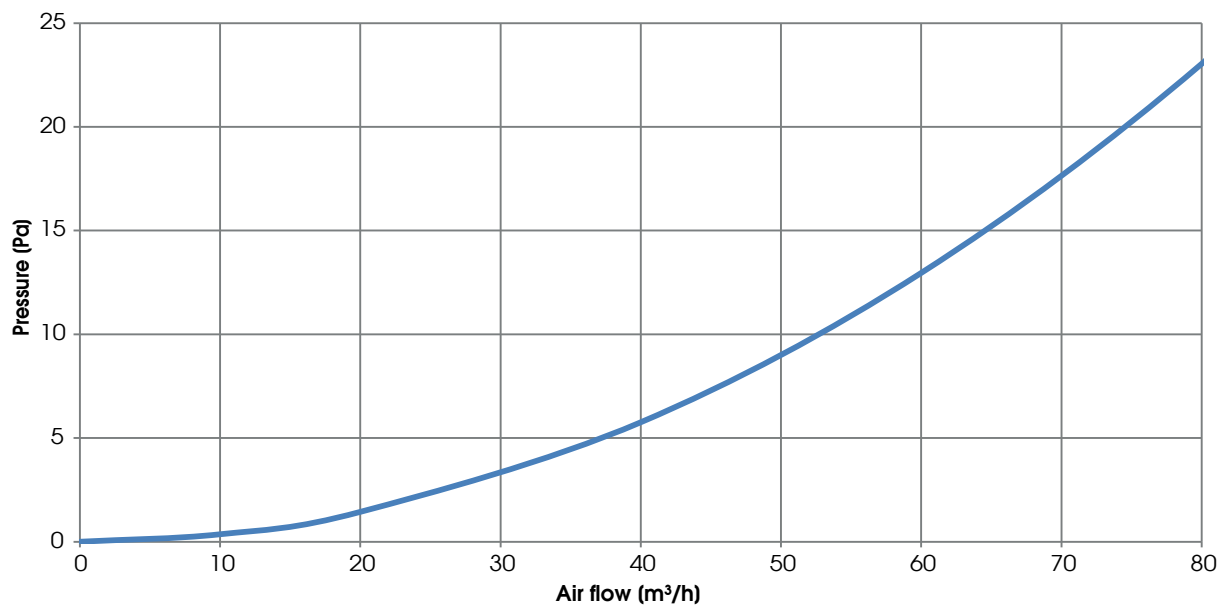
NOTA: available filter (see pag. 44)

VENTILATION VALVE

Ventilation valve graphic [CADTERDIF001](#)

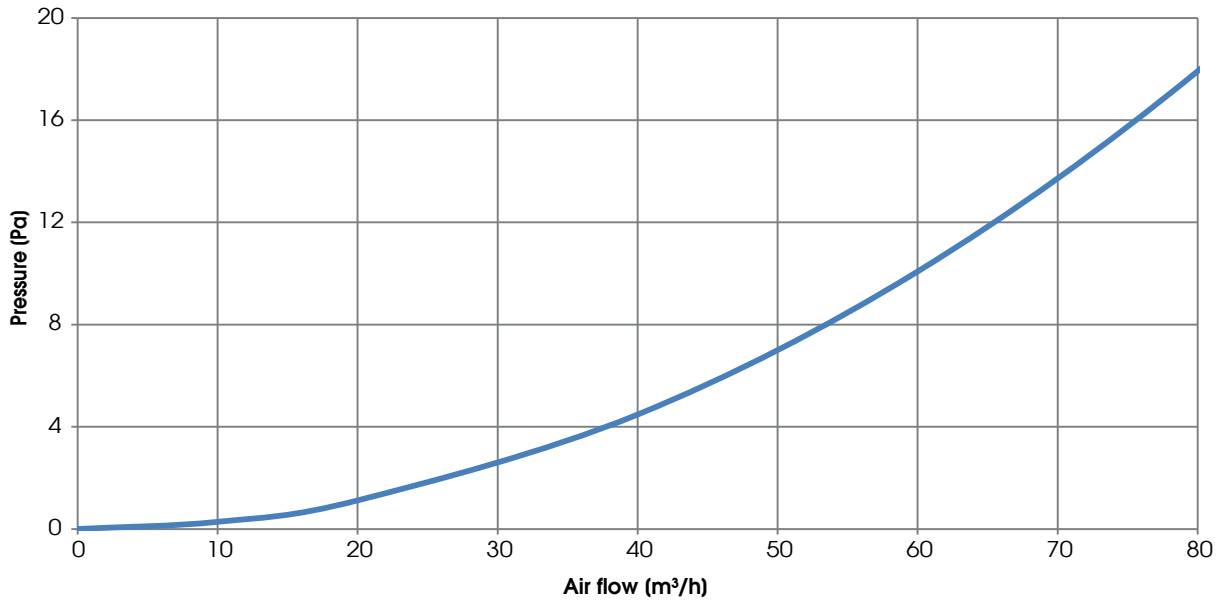


Ventilation valve graphic [CADTERDIF002](#)

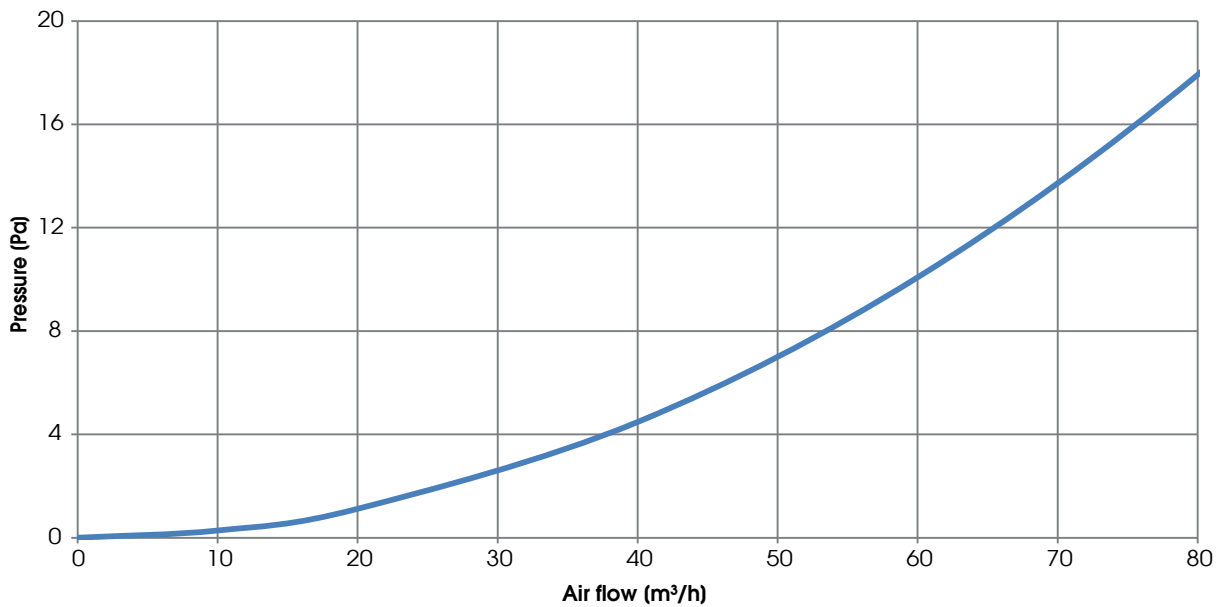


VENTILATION VALVE

Ventilation valve graphic [CADTERDIF003](#)



Ventilation valve graphic [CADTERDIF004](#)



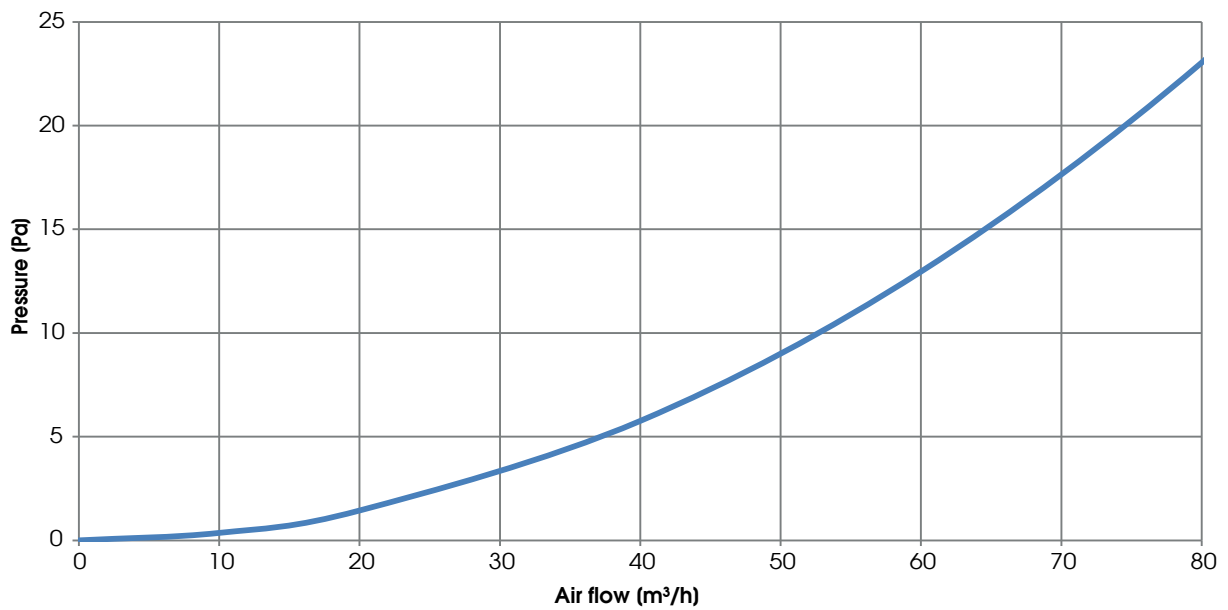
CIRCULAR GRID

Stainless White painted circular grid - Ø 160 mm (frontal) and Ø 120 mm (attack)



Code	Quantity	Weight (kg)	Price (€)	Packaging dim. (mm)
CADTERDIF008	● 1 Pz	● 0,26	● 42,00	● -

NOTA: available filter (see pag. 44)



RECTANGULAR GRID

Stainless White painted rectangular grid



CADTERDIF019
50 m³/h – 260x155 mm



CADTERDIF029
100 m³/h 370x155 mm



CADTERDIF030
150 m³/h – 480x155 mm

Rectangular grid – satined stainless steel



CADTERDIF016
50 m³/h – 260x155 mm

Stainless White painted rectangular grid



CADTERDIF020
50 m³/h – 260x155 mm

NOTES: These rectangular grilles are always available, with no quantitative constraints.

On request (minimum 10 pcs and delivery about 4 working weeks) we can provide grids:

- . White painted, square mesh CADTERDIF021
- . Satined stainless steel, forked CADTERDIF017 or square CADTERDIF018 mesh
- . Rough, buckled or square mesh (the same cost as white varnishes)
- . With special sizes or jerseys (price on request)

Note: For orders from 1 to 9 pieces consider a 50% surcharge on the price list.

Code	Quantity	Weight (kg)	Price (€)	Packaging dim. (mm)
CADTERDIF019	● 1 Pz	● 0,33	● 39,00	● -
CADTERDIF020	● 1 Pz	● 0,40	● 39,00	● -
CADTERDIF029	● 1 Pz	● 0,45	● 61,00	● -
CADTERDIF030	● 1 Pz	● 0,60	● 81,00	● -
CADTERDIF016	● 1 Pz	● 0,40	● 39,00	● -

NOTA: available filter (see pag. 44)

FILTERS

Filter for circular grid and valves



Filter for rectangular grid

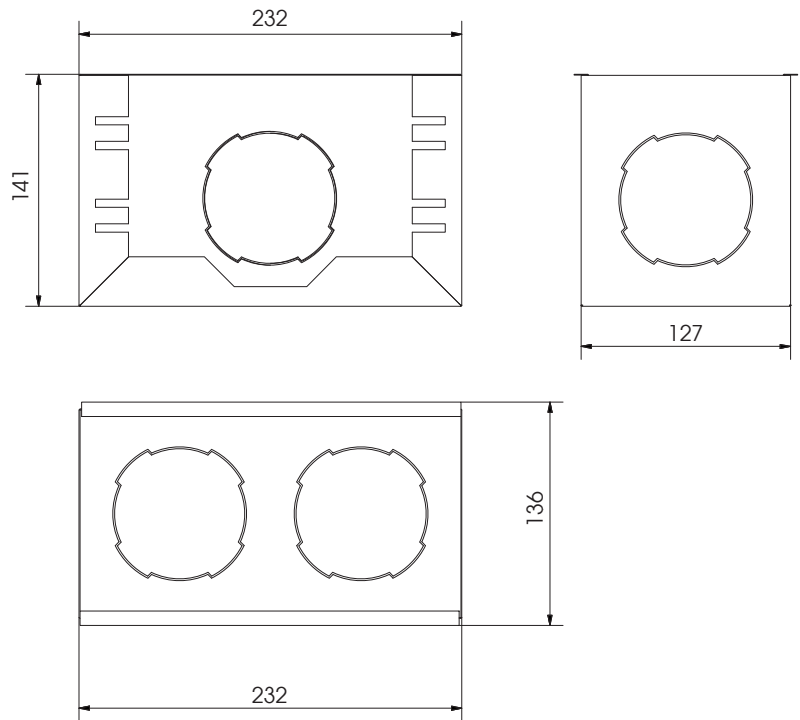
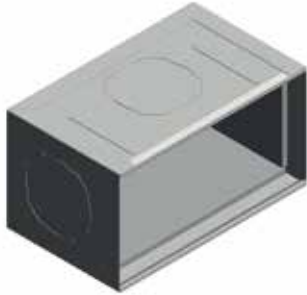


Code	Quantity	Weight (kg)	Price (€)	Packaging dim. (mm)
CADTERDIF025-P	● 1 conf (10 Pcs)	● 0,8	● 35,00	● 130x130x80 h
CADTERDIF026-P	● 1 conf (10 Pcs)	● 0,8	● 86,00	● 250x150x100 h

INSULATED TERMINAL PLENUM

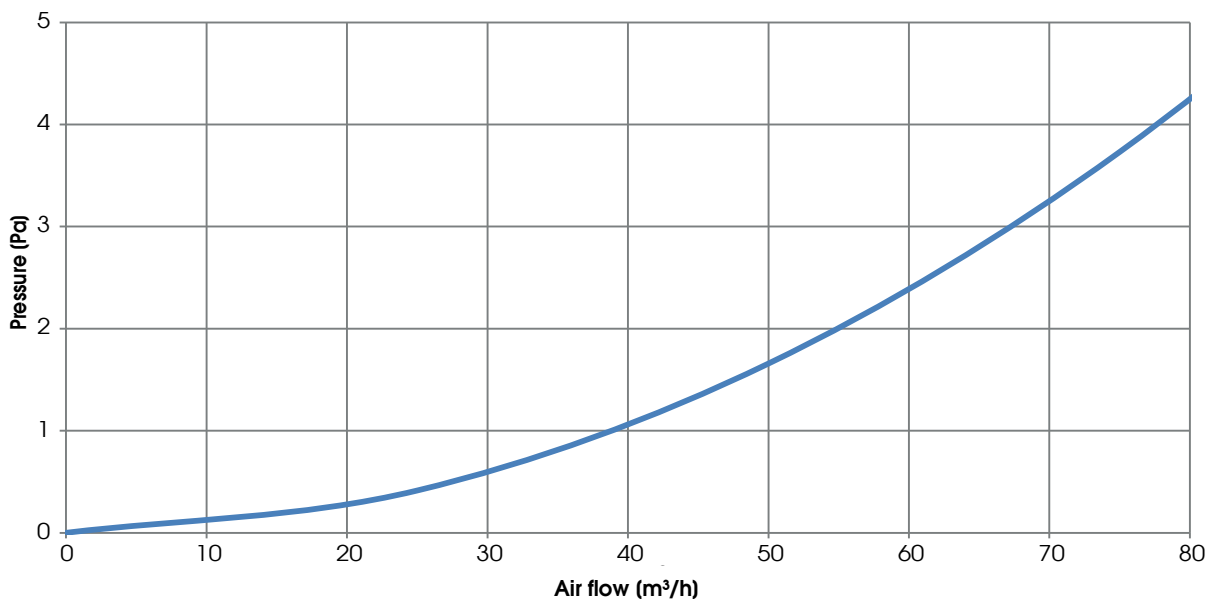
Insulated Terminal plenum (Linear Connection plenum circular section semirigid duct) 232x127x141 mm to matching with linear 90° connection

NOTE: the plenum It is supplied complete with closure reinforced cardboard, for protection during the work.



Code	Quantity	Weight (kg)	Price (€)	Packaging dim. (mm)
CADTERDIF011	1 Pcs	0,75	42,00	232X127X140 h

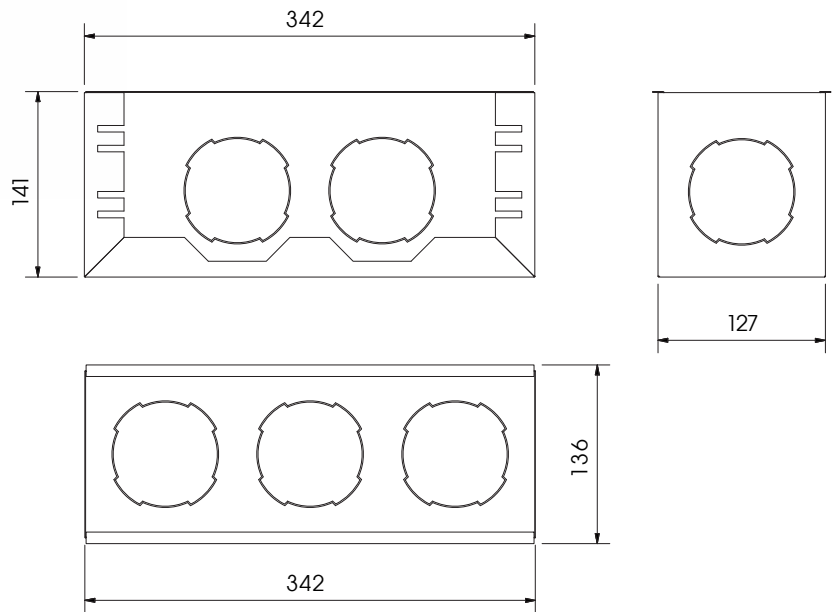
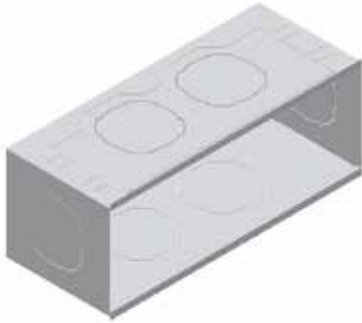
NOTA: available filter (see pag. 44)



Tested with CADTERDIF019

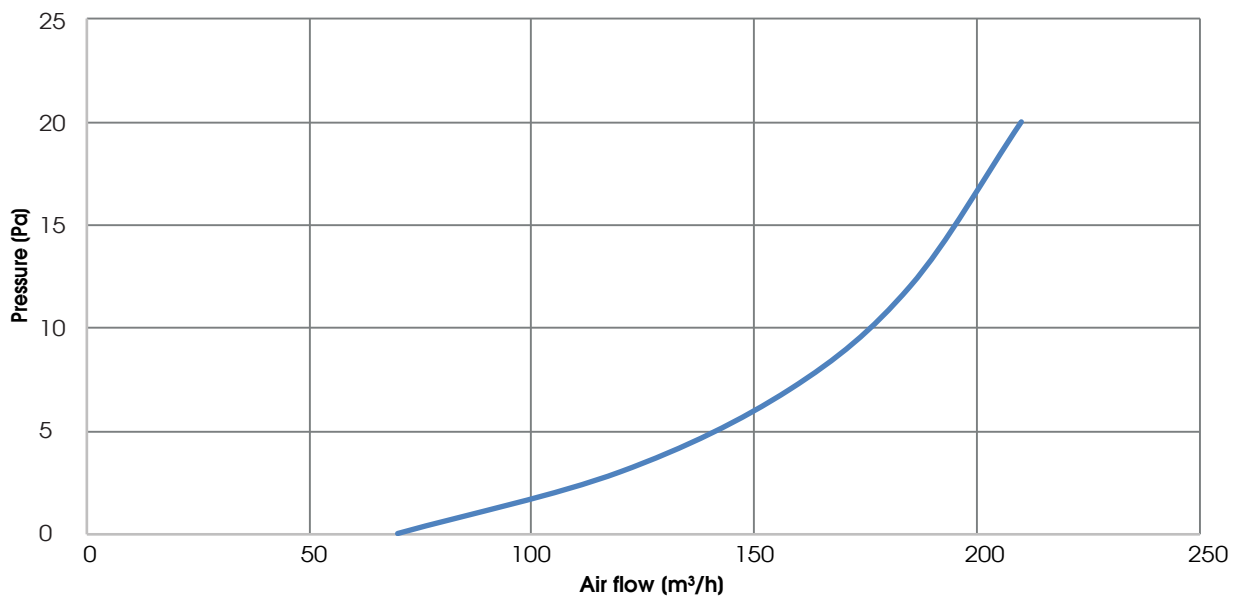
INSULATED TERMINAL PLENUM

Plenum ISOLATED for rectangular grids (code CADTERDIF029, pag.52) to be combined with LINEAR connections (CADCONACC001 and - 002) and 90° (codes CADCONACC003 and - 004)



Code	Quantity	Weight (kg)	Price (€)	Packaging dim. (mm)
CADTERDIF027	● 1 Pz ●	1,0 ●	65,00 ●	● 343X128X142 h ●

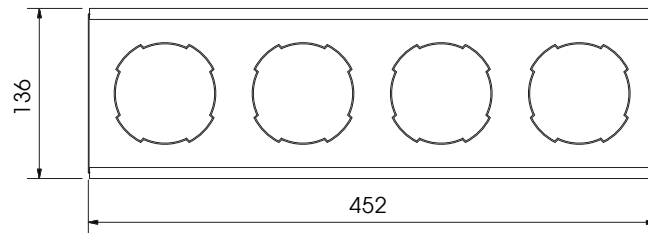
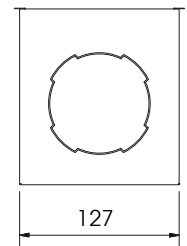
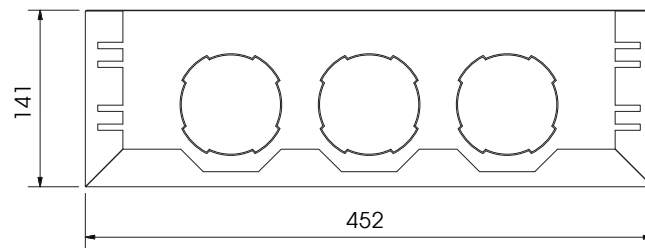
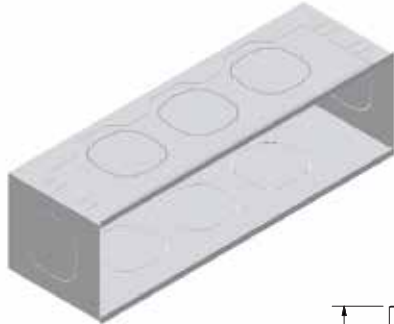
NOTA: available filter (see pag. 44)



Tested with CADTERDIF029

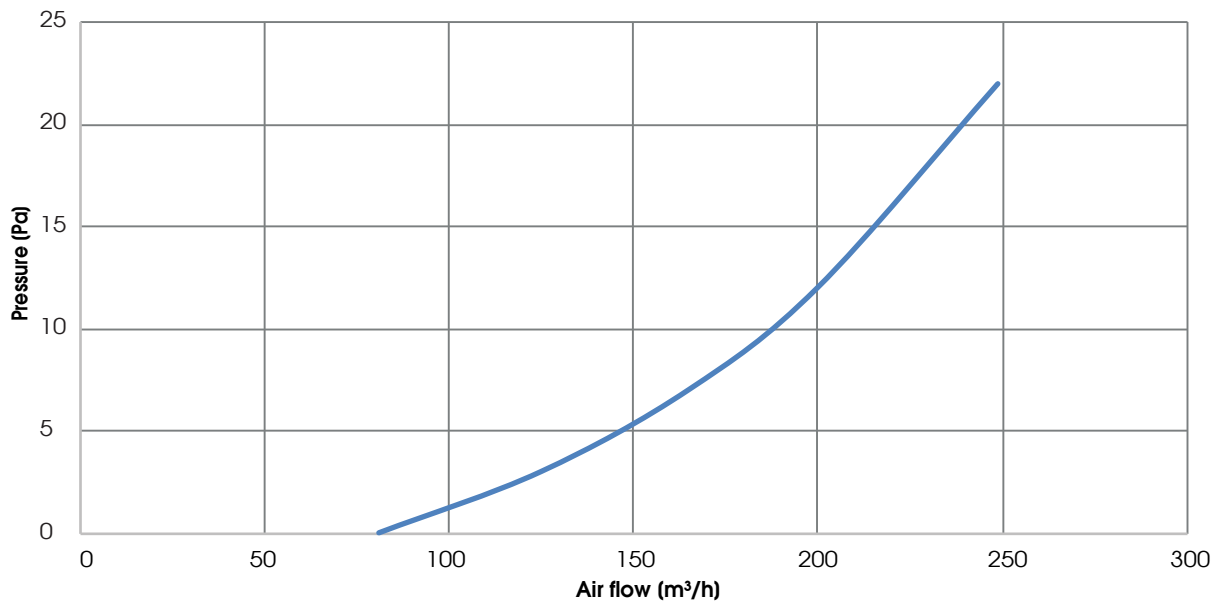
INSULATED TERMINAL PLENUM

Plenum ISOLATED for rectangular grids (code CADTERDIF030, pag.52) to be combined with LINEAR connections (code CADCONACC001 and - 002) and 90° (code CADCONACC003 and - 004)



Code	Quantity	Weight (kg)	Price (€)	Packaging dim. (mm)
CADTERDIF028	● 1 Pz ●	● 1,3 ●	● 73,00 ●	● 454X128X142 h ●

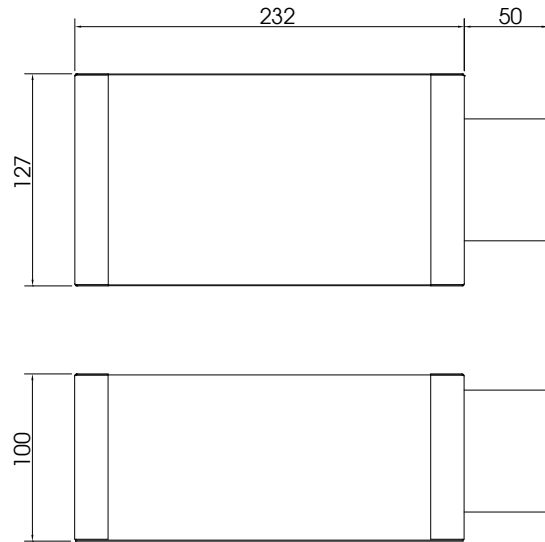
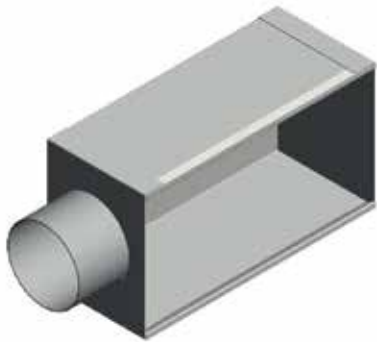
NOTA: available filter (see pag. 44)



INSULATED TERMINAL PLENUM

Insulated Terminal plenum lateral connection (circular section duct) \varnothing 75 mm - 232x127x100 mm

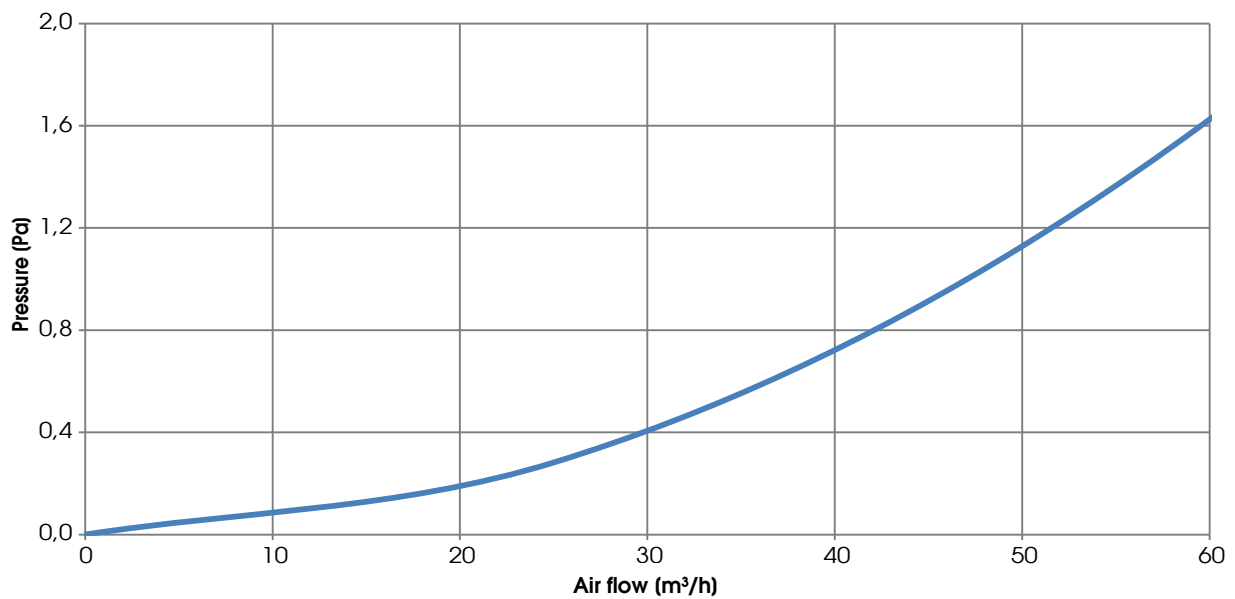
NOTE: the plenum It is supplied complete with closure reinforced cardboard, for protection during the work.



Code	Quantity	Weight (kg)	Price (€)	Packaging dim. (mm)
------	----------	-------------	-----------	---------------------

CADTERDIF012	1 Pcs	0,62	48,00	232X127X100 h
--------------	-------	------	-------	---------------

NOTA: available filter (see pag. 44)

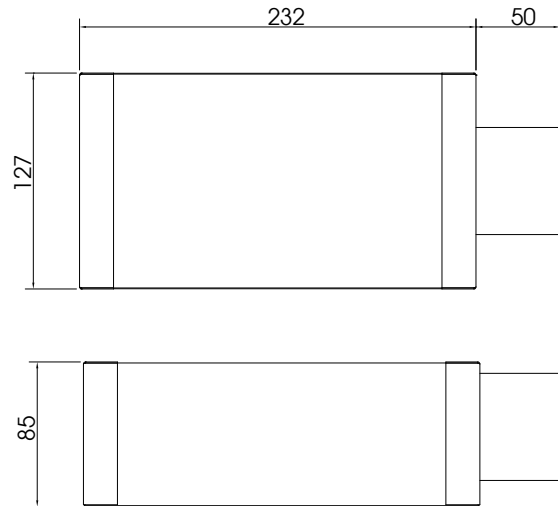
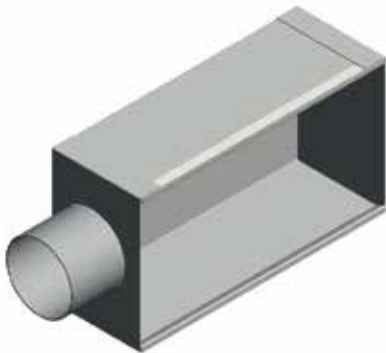


Tested with CADTERDIF019

INSULATED TERMINAL PLENUM

Insulated Terminal plenum, lateral connection (circular section duct) - Ø 60 mm - 232x127x85 mm

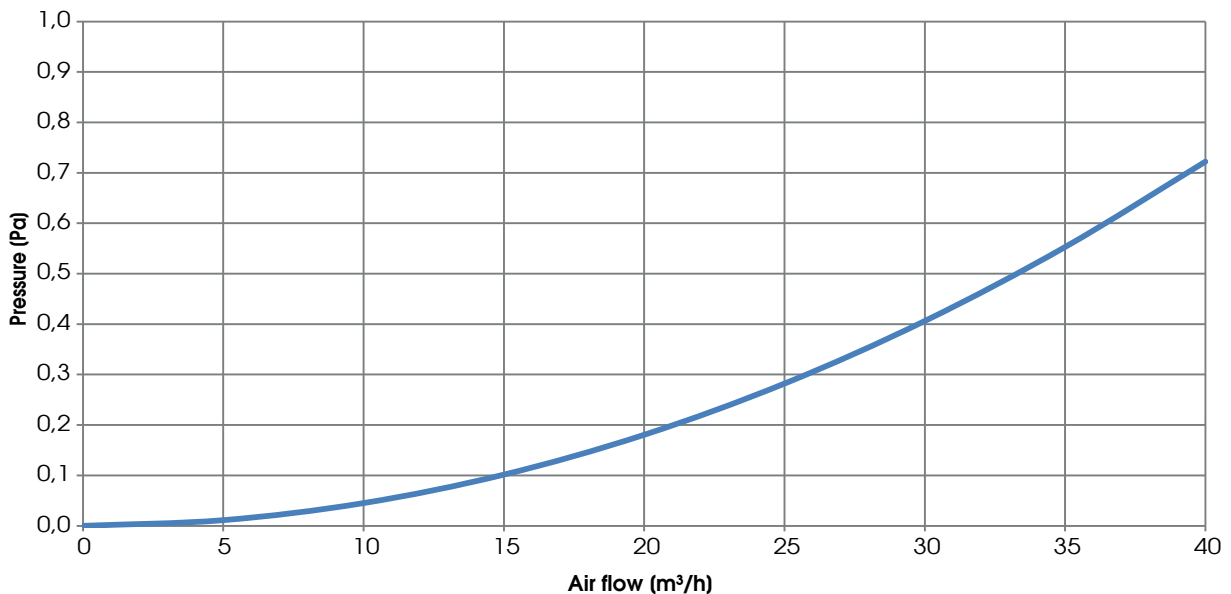
NOTE: the plenum It is supplied complete with closure reinforced cardboard, for protection during the work.



Code	Quantity	Weight (kg)	Price (€)	Packaging dim. (mm)
------	----------	-------------	-----------	---------------------

CADTERDIF013	● 1 Pcs ●	0,57	● 48,00	● 232x127x85 h
--------------	-----------	------	---------	----------------

NOTA: available filter (see pag. 44)

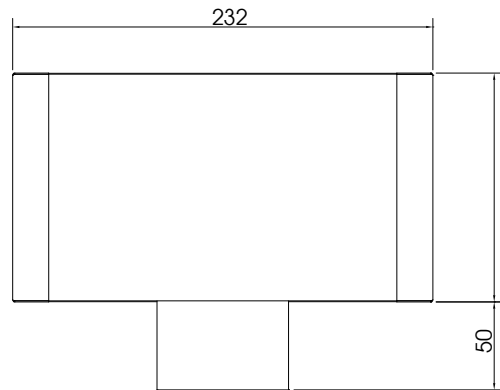
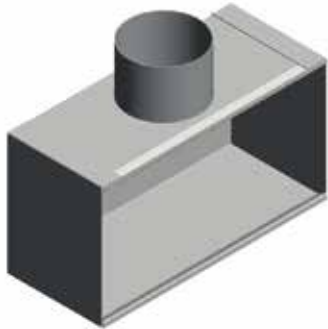


Tested with CADTERDIF019

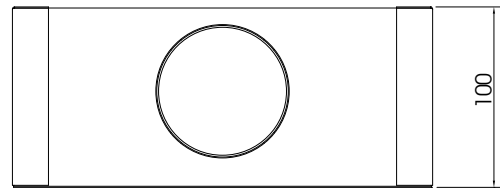
INSULATED TERMINAL PLENUM

Insulated Terminal plenum, upper connection (circular section duct) - Ø 75 mm - 232x127x100 mm

NOTE: the plenum It is supplied complete with closure reinforced cardboard, for protection during the work.



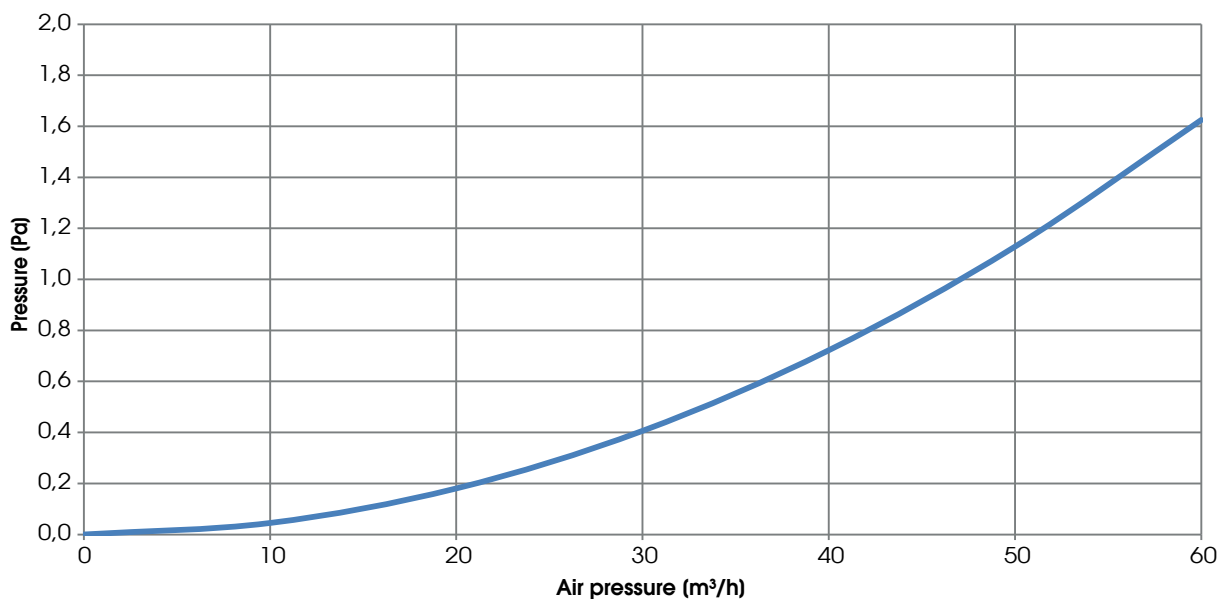
127



Code	Quantity	Weight (kg)	Price (€)	Packaging dim. (mm)
------	----------	-------------	-----------	---------------------

CADTERDIF014	1 Pcs	0,64	48,00	232X127X100 h
--------------	-------	------	-------	---------------

NOTA: available filter (see pag. 44)

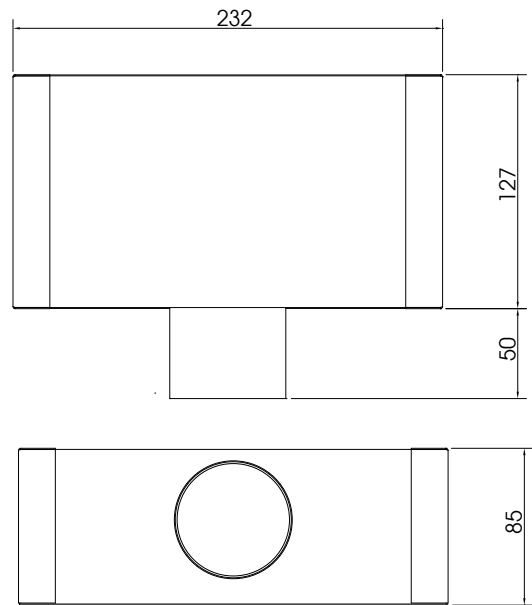
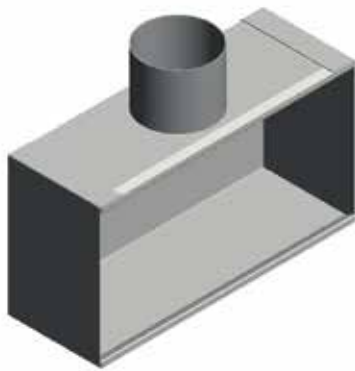


Tested with CADTERDIF019

INSULATED TERMINAL PLENUM

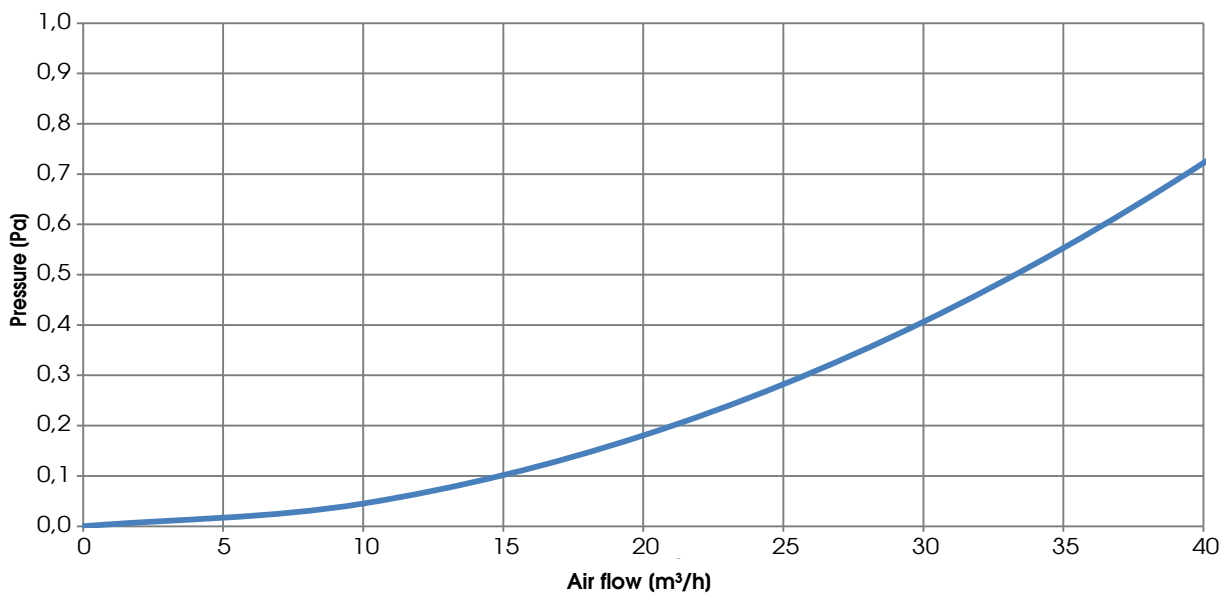
Insulated Terminal plenum, upper connection (circular section duct) - Ø 60 mm - 232x127x85 mm

NOTE: the plenum It is supplied complete with closure reinforced cardboard, for protection during the work.



Code	Quantity	Weight (kg)	Price (€)	Packaging dim. (mm)
CADTERDIF015	1 Pc	0,58	48,00	232X127X85 h

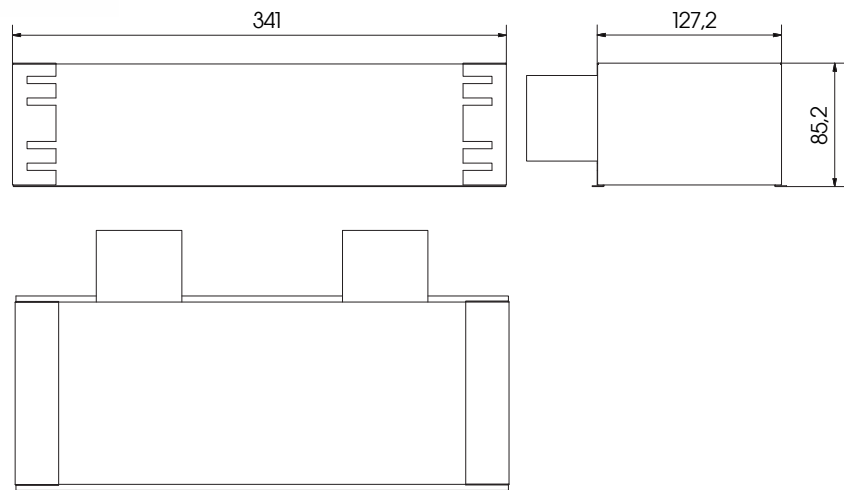
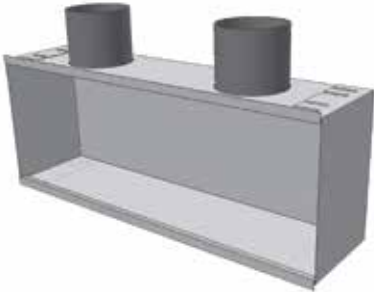
NOTA: available filter (see pag. 44)



Tested with CADTERDIF019

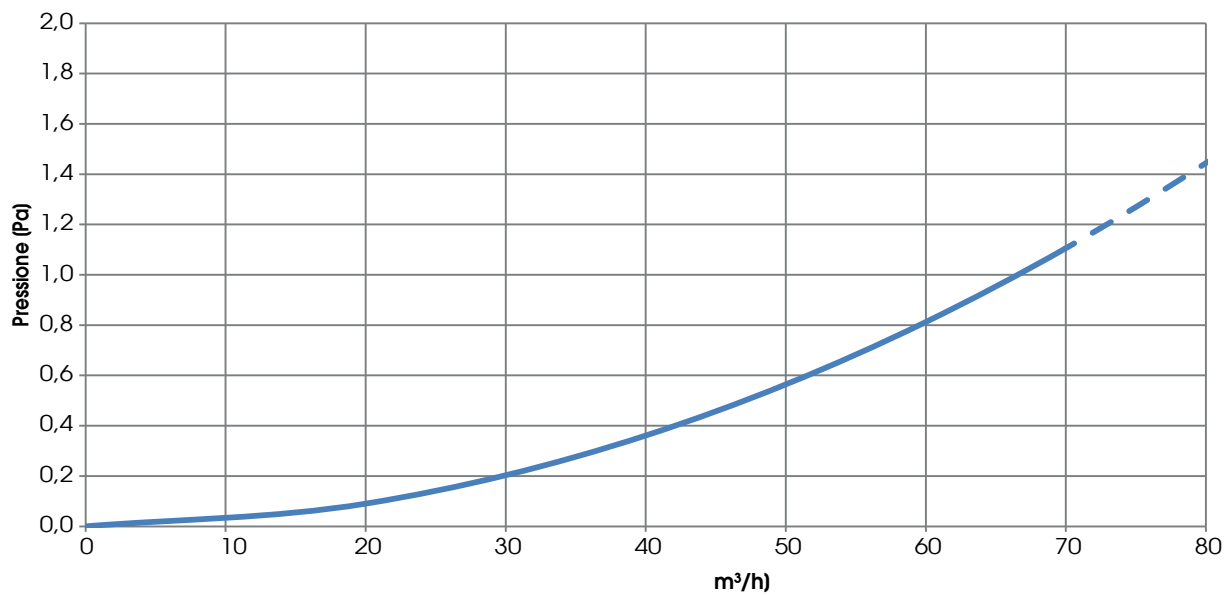
INSULATED PLENUM

INSULATED Plenum – combined with 2 semi-rigid ducts Ø 76/63 mm - 2 UPPER or LOWER attacks



Code	Quantity	Weight (kg)	Price (€)	Packaging dim. (mm)
CADTERDIF034	1 Pz	1,3	64,00	

NOTA: available filter (see pag. 53)

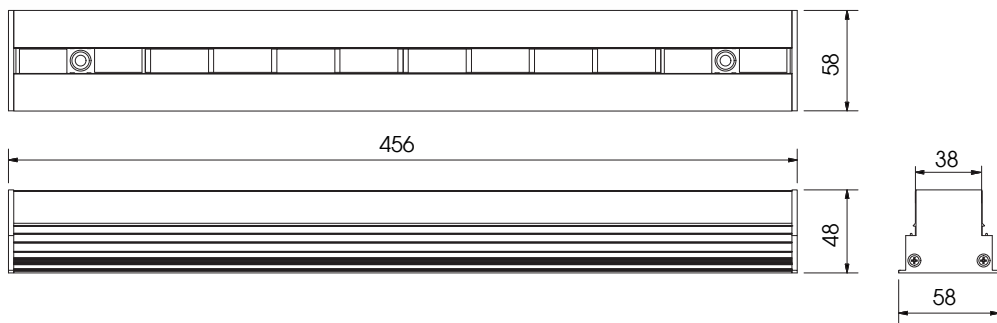
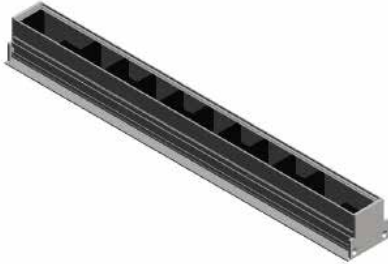


Tested with CADTERDIF029

LINEAR AIR DIFFUSER

Linear air diffuser - Anodized aluminum Cod. **CADTERDIF023**

Linear air diffuser - Anodized aluminum painted RAL9010* Cod. **CADTERDIF038**



Code	Quantity	Weight (kg)	Price (€)	Packaging dim. (mm)
CADTERDIF023	● 1 Pz ●	● 0,6 ●	● 77,00 ●	● 450x58x48 h ●
CADTERDIF038	● 1 Pz ●	● 0,8 ●	● 96,00 ●	● 450x58x48 h ●

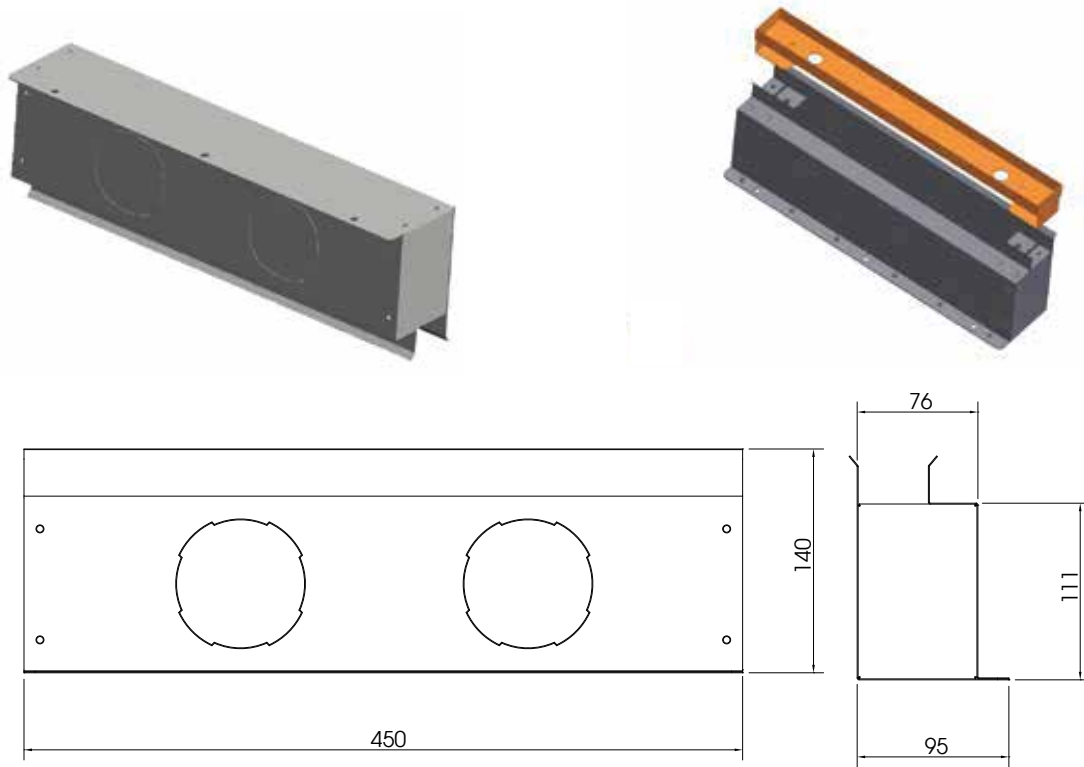
NOTE: for pressure loss see plenum CADTERDIF024
for matching with CADTERDIF024 see pag. 86

* Painted RAL 9010 (BIANCO) only the aluminum frame (no black wings). Other RAL colors available on board.

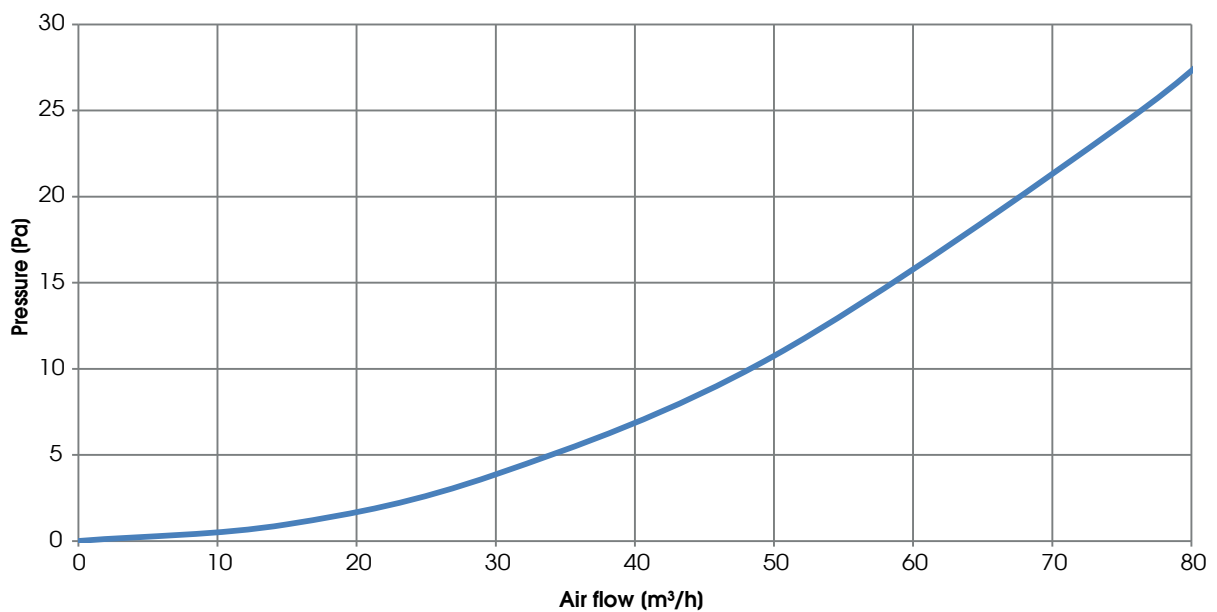
N.B: Minimum 10 pcs equal, delivery 4 working weeks

INSULATED TERMINAL PLENUM FOR LINEAR AIR DIFFUSER

Insulated Terminal plenum for linear air diffuser (Linear Connection plenum circular section semirigid duct)

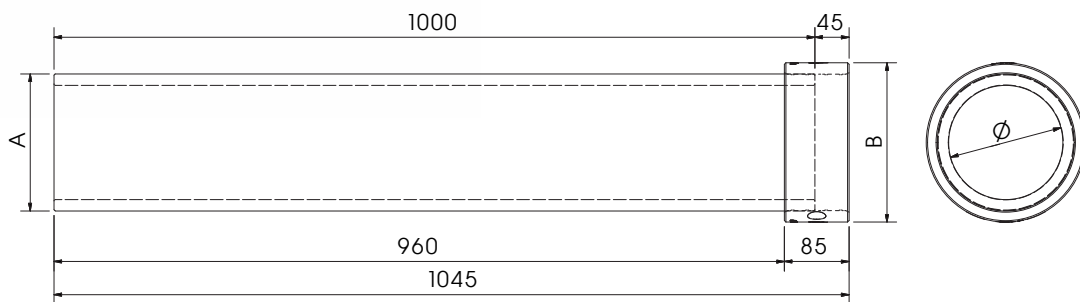


Code	Quantity	Weight (kg)	Price (€)	Packaging dim. (mm)
CADTERDIF024	1 Pcs	0,8	149,00	450x140x95 h



NOTE: for matching with CADTERDIF023 pag. 83

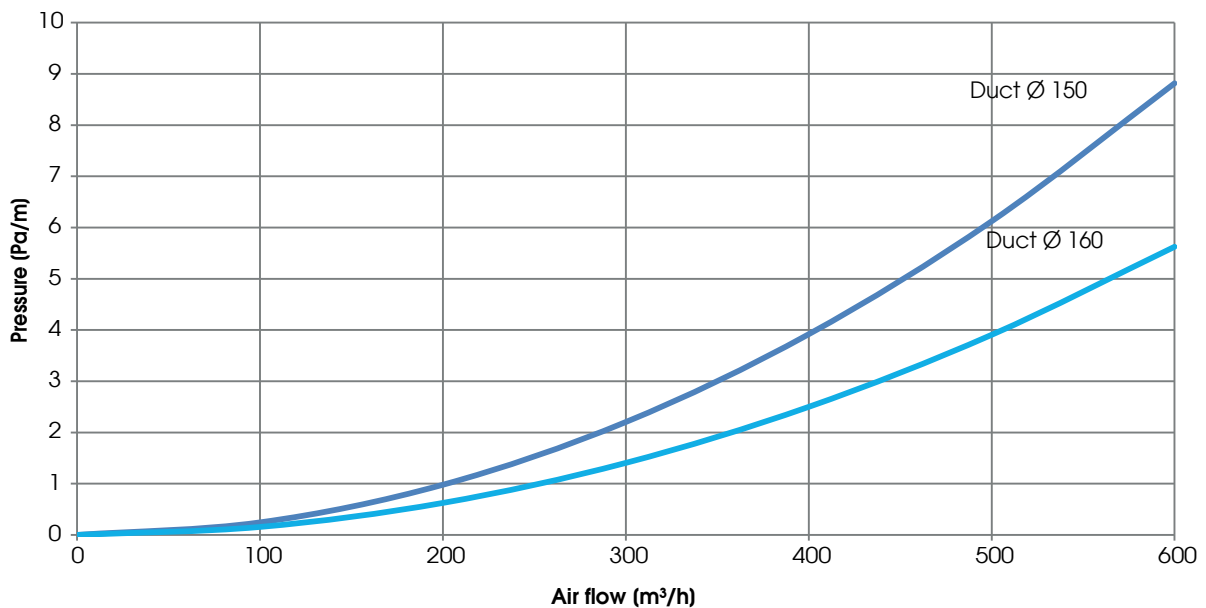
EPP duct Ø 160 mm 1 meter length



DIMENSIONS (mm)

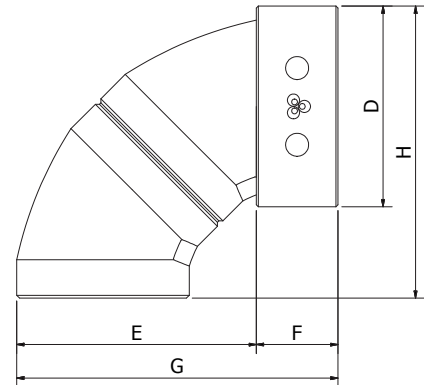
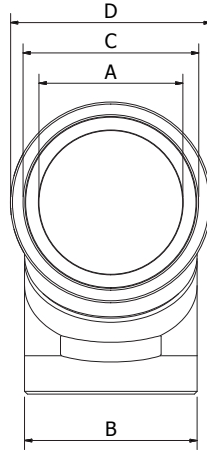
Ø	A	B
150	180	209
160	190	219

Code	Quantity	Weight (kg)	Price (€)	Packaging dim. (mm)
CADCONPPE002	● 1 mt (Ø150)	● 0,47	● 39,60	● -
CADCONPPE002-P	● 1 conf (6 Pz Ø150)	● 3,12	● 198,00 (ea.33,00)	● 600x400x1110
CADCONPPE036	● 1 mt (Ø160)	● 0,47	● 55,20	● -
CADCONPPE036-P	● 1 conf (4 Pz Ø160)	● 2,08	● 184,00 (ea. 46,00)	● 600x400x1110



PPE COMPONENTS

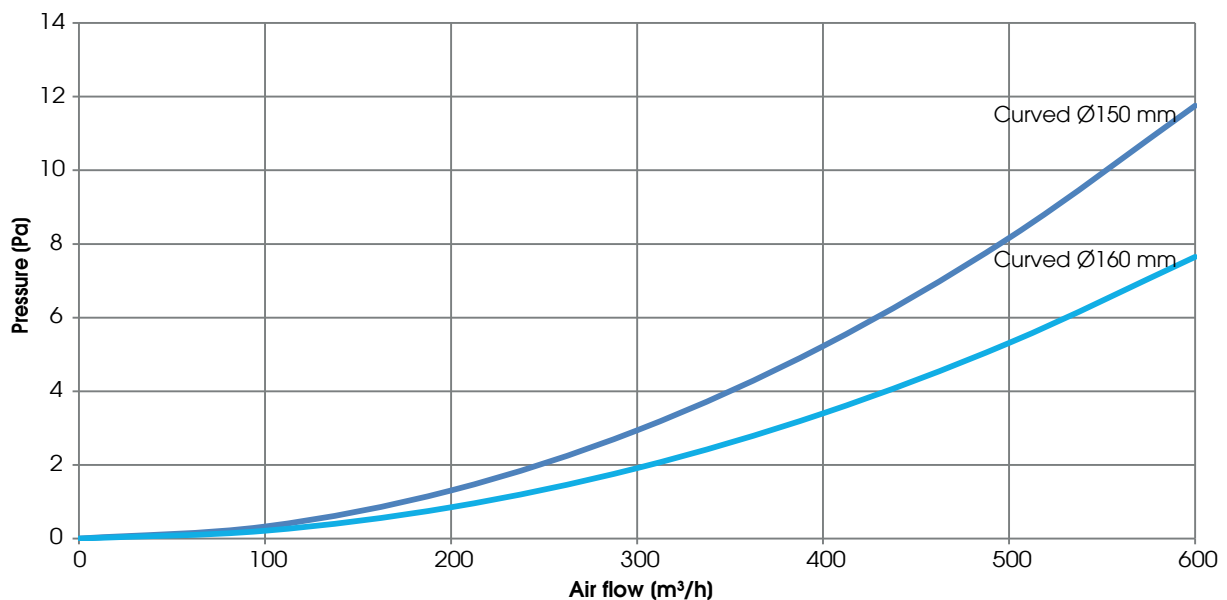
90° curved EPP duct - Ø150 mm and Ø160 mm



Dimensions (mm)

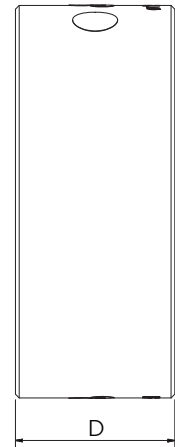
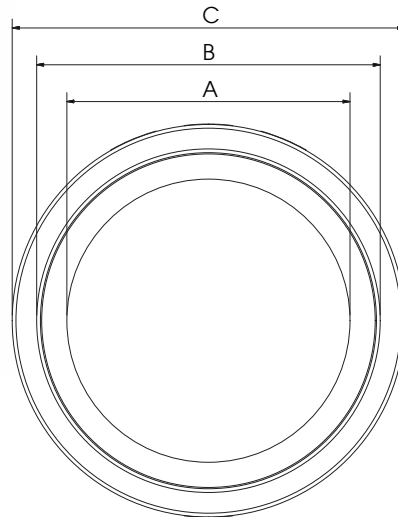
Code	Duct	A	B	C	D	E	F	G	H
CADCONPPE008	Ø 150	150	180	183	209	250	85	335	305
CADCONPPE037	Ø 160	160	190	193	220	255	85	340	310

Code	Quantity	Weight (kg)	Price (€)	Packaging dim. (mm)
CADCONPPE008	● 1 Pcs (Ø150)	● 0,26	● 26,40	● -
CADCONPPE008-P	● 1 conf (12 Pcs Ø150)	● 3,42	● 264,00 (ea.22,00)	● 600X400X1100
CADCONPPE037	● 1 Pcs (Ø160)	● 0,26	● 37,00	● -
CADCONPPE037-P	● 1 conf (10 Pcs Ø160)	● 3,42	● 308,00 (ea. 30,80)	● 600X400X1110



PPE COMPONENTS

Junction device for EPP duct - Ø 150 mm and Ø 160 mm



Dimensions (mm)

Code	Duct	A	B	C	D
CADCONPPE014	Ø 150	151	183	209	85
CADCONPPE038	Ø 160	162	193	220	85

Code	Quantity	Weight (kg)	Price (€)	Packaging dim. (mm)
CADCONPPE014	● 1 Pcs (Ø150)	● 0,15	● 9,60	● -
CADCONPPE014-P	● 1 conf (6 Pcs Ø150)	● 1,20	● 48,00 (ea.8,00)	● 440x330x250
CADCONPPE038	● 1 Pcs (Ø160)	● 0,15	● 10,80	● -
CADCONPPE038-P	● 1 conf (6 Pcs Ø160)	● 1,20	● 54,00 (ea.9,00)	● 440x330x250

INSULATED FLEXIBLE DUCT

Insulated flexible duct - Ø 127 mm, 152 mm and 160 mm



Diameter (mm)	Radius of curvature (mm)	Weight (gr/m)
127	92	254
152	105	308
160	110	331



NO BACTERIA

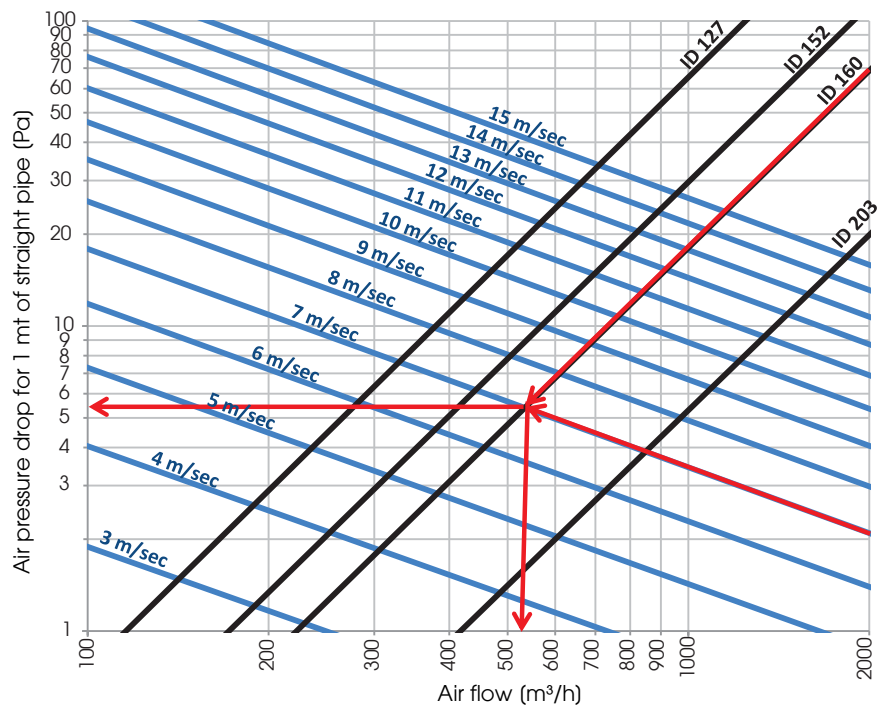
NO MOLD

Code	Quantity	Weight (kg)	Price (€)
CADCONFLX001	● 10 mt (Ø152)	● 8,40	● 142,00
CADCONFLX002	● 10 mt (Ø160)	● 8,60	● 147,00
CADCONFLX003	● 10 mt (Ø127)	● 7,20	● 129,00
CADCONFLX004	● 10 mt (Ø203)	● 11,50	● 191,00

Packaging dimension

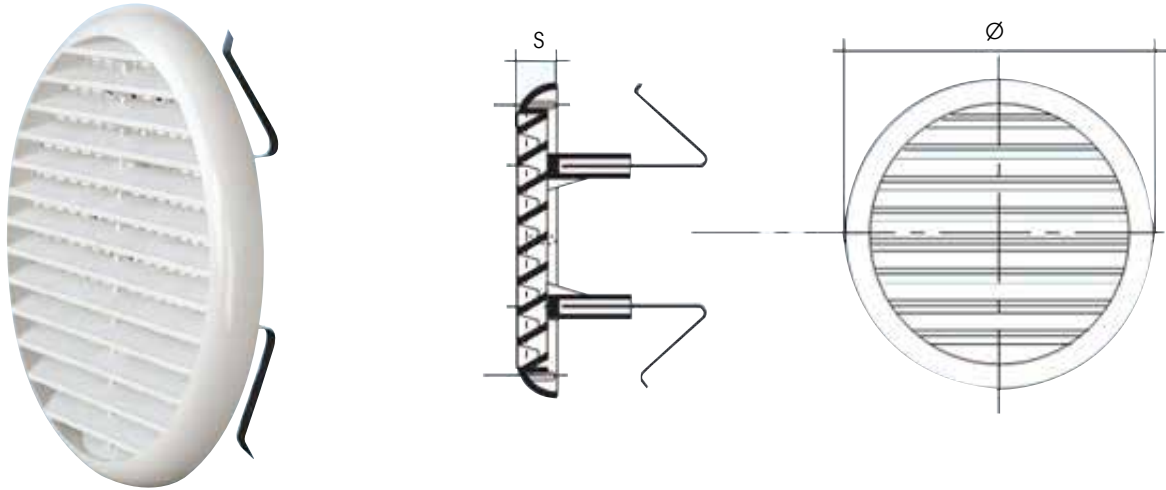


Diameter (mm)	Length (mm)	Width (mm)	Height (mm)
127	120	80	35
152	120	80	60
160	120	80	60



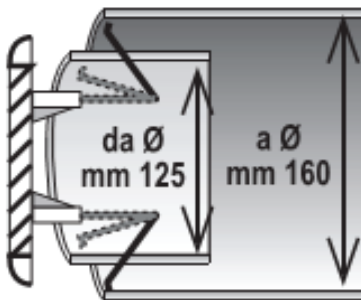
GRID for EXPULSION & RENEWAL ducts

White grid ABS with springs \varnothing 175mm x S = 13,5mm



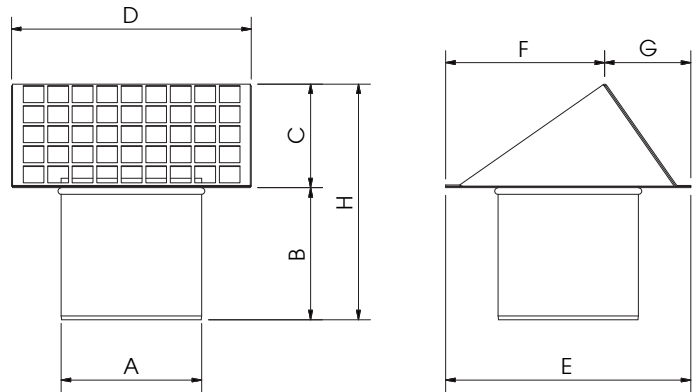
Code	Quantity	Weight (kg)	Price (€)	Packaging dim. (mm)
CADCONPPE0XX	● 1 pack. (6 pcs)	● 1,70	● 72,00	● 100x290x290
CADCONPPE0XX-P	● 1 pack. (24 pcs)	● 2,80	● 240,00	● 380x290x290

With positioning springs, suitable for ducts \varnothing from 125 to 160 mm; air passage = 135 cm² with duct \varnothing 157 mm



WALL EXTERNAL TERMINAL

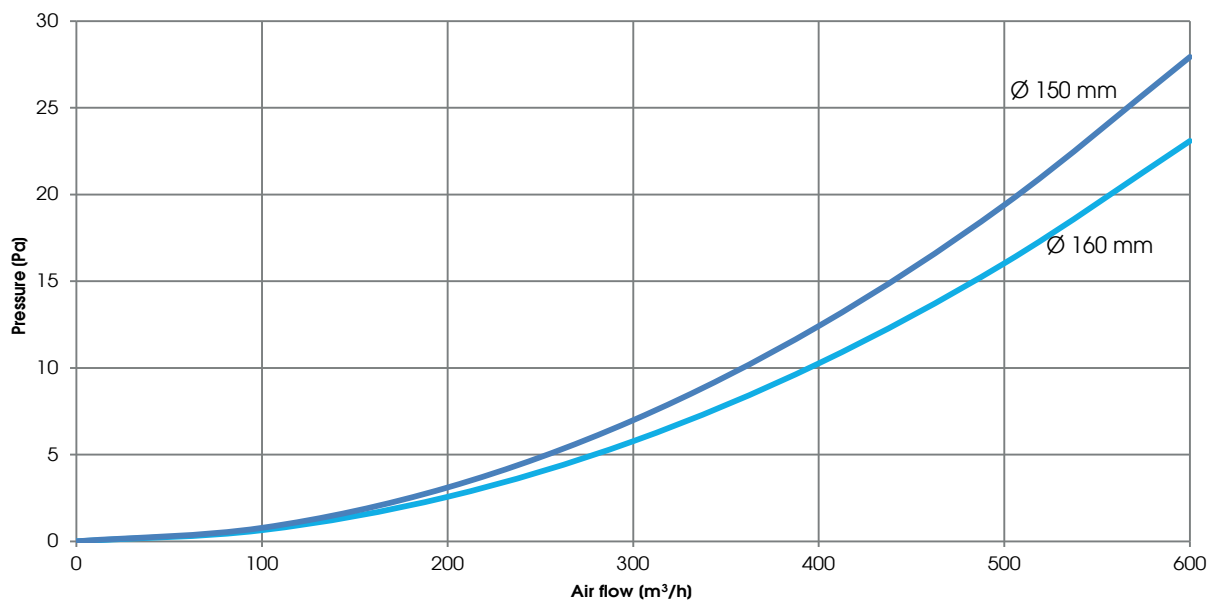
Wall external terminal (NOT PAINTED)



Dimensions (mm)

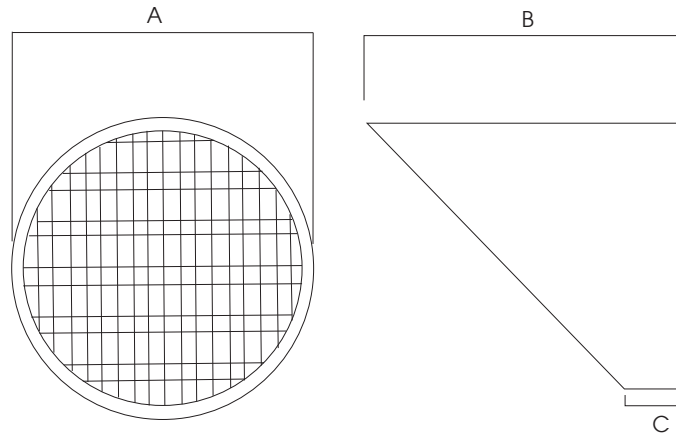
Code	Duct	A	B	C	D	E	F	G	H
CADCONPPE019	Ø 150	149	140	110	255	260	168	92	250
CADCONPPE035	Ø 160	159	140	110	255	267	177	90	250

Code	Quantity	Weight (kg)	Price (€)	Packaging dim. (mm)
CADCONPPE019	● 1 Pcs (Ø150)	● 0,81	● 76,00	● -
CADCONPPE035	● 1 Pcs (Ø160)	● 0,81	● 102,00	● -



PROTECTION COWL

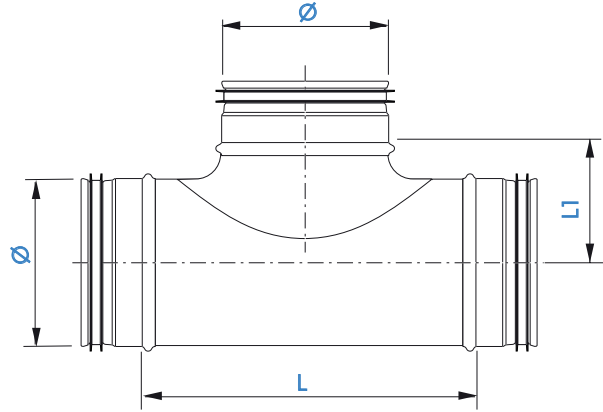
Protection cowl with net



MODEL	Description (mm)	Price (€)	A (mm)	B (mm)	C (mm)
01ZO 0000 0150	Circular protection cowl SKMF-R Ø 150 mm	50,00	150	240	90
01ZO 0000 0160	Circular protection cowl SKMF-R Ø 160 mm	52,00	160	250	90
01ZO 0000 0200	Circular protection cowl SKMF-R Ø 200 mm	55,00	200	290	90

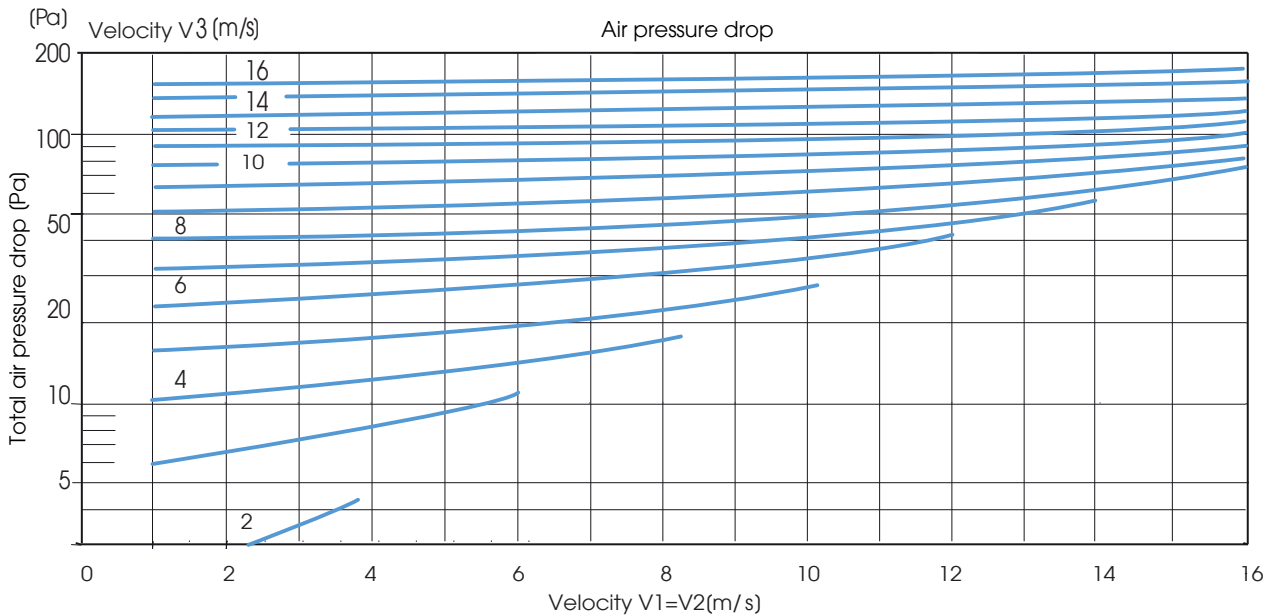
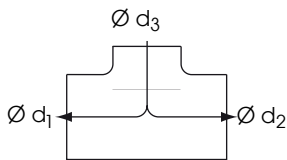
T JUNCTION FOR CIRCULAR DUCT

T junction for circular duct three (M) connections



CODE	NIPPLE Ø	L (mm)	L1 (mm)
CADRACCAT005	3 x 150 M	260	95
CADRACCAT006	3 x 160 M	209	105
CADRACCAT007	3 x 200 M	249	125

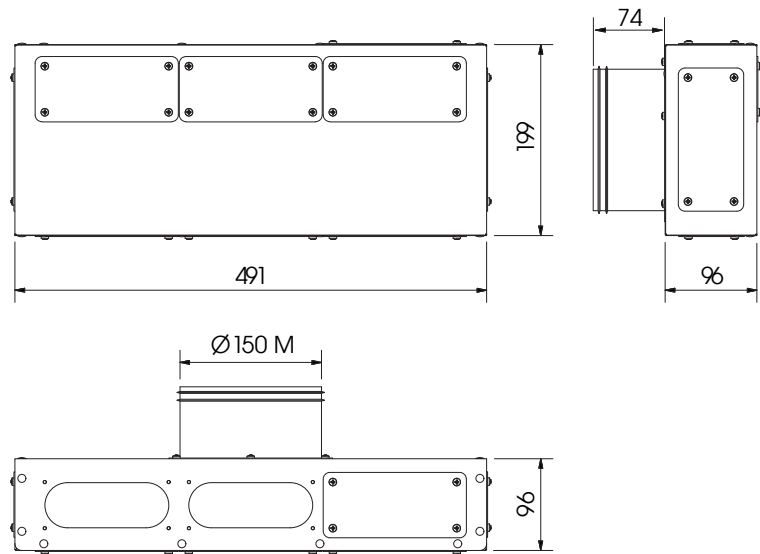
Code	Quantity	Weight (kg)	Price (€)	Packaging dim. (mm)
CADRACCAT005	● 1PZ	● 1,00	● 40,00	● 335x160x205
CADRACCAT006	● 1PZ	● 1,50	● 57,00	● 280x170x220
CADRACCAT006	● 1PZ	● 1,50	● 78,00	● 320x200x260



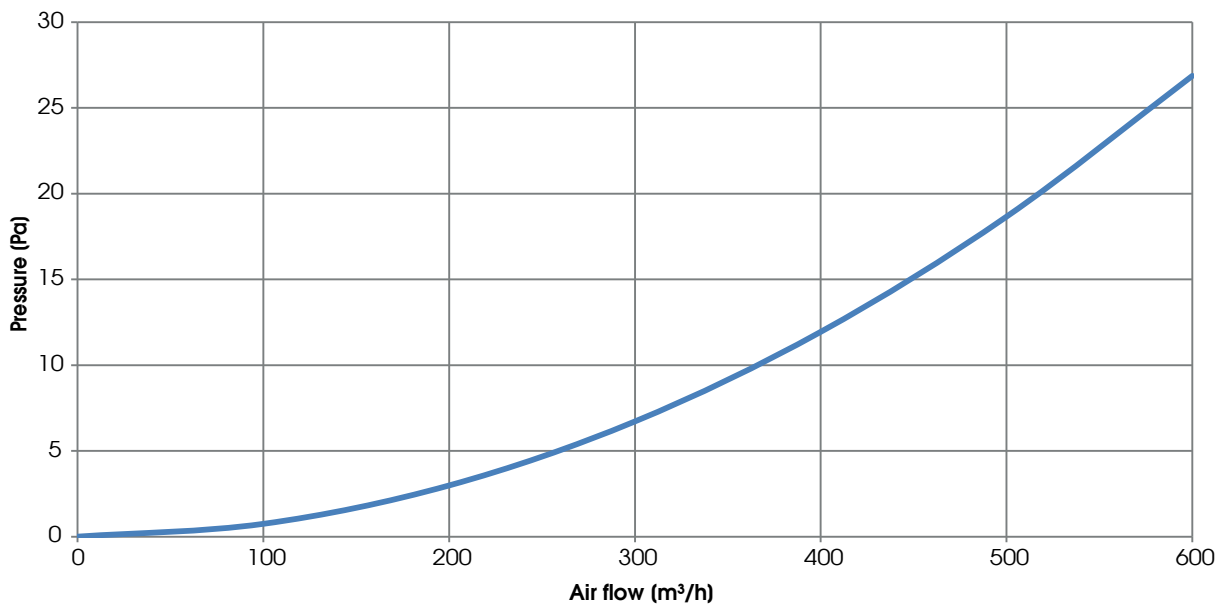
INSULATED DISTRIBUTION PLENUM

Insulated distribution plenum (supply/extraction air flow) - Ø 150 mm - 11 connections for Flattened section - semirigid ducts (52x132mm)

NOTE: remove the plates of the ovals attacks you will use



Code	Quantity	Weight (kg)	Price (€)	Packaging dim. (mm)
CADPLENOV001	1 Pcs	3,00	106,00	520x230x170 h

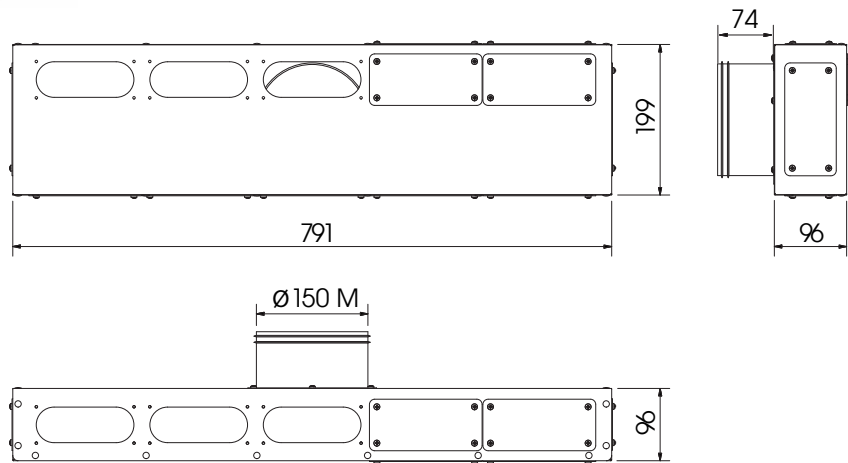


NOTE: provided with closing plates oval attacks, if they are not use

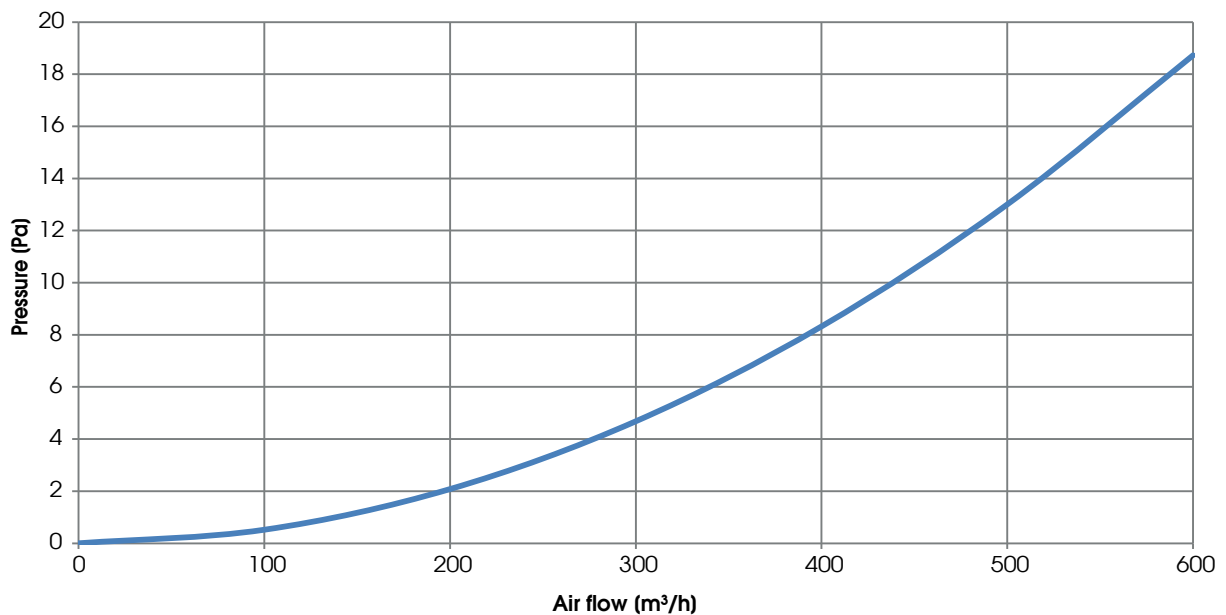
INSULATED DISTRIBUTION PLENUM

Insulated distribution plenum (supply/extraction air flow) 150 mm - 17 connections for Flattened section semirigid ducts - $\varnothing 52 \times 132$ mm

NOTE: remove the plates of the oval attacks you will use



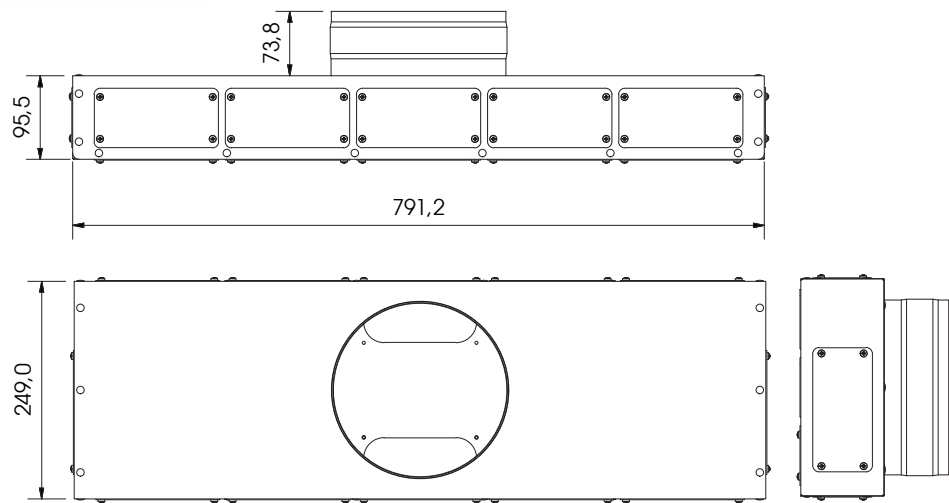
Code	Quantity	Weight (kg)	Price (€)	Packaging dim. (mm)
CADPLENOV004	1 Pcs	4,5	114,00	820x230x170 h



NOTE: provided with closing plates oval attacks, if are not use

PLENUM LOWER LOW SECTION 14 OVAL ATTACKS

Insulated Plenum of SUPPLY/EXHAUST \varnothing 200 mm - 22 OVAL attacks



Code

Quantity

Weight (kg)

Price (€)

Packaging dim. (mm)

CADPLENUM011



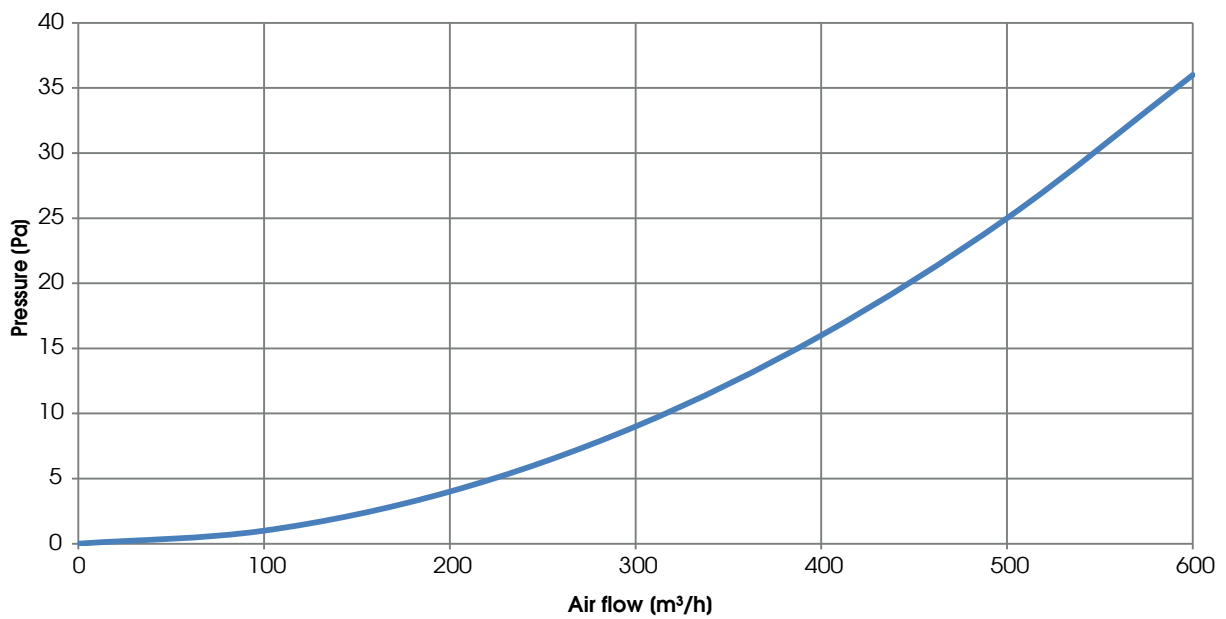
1 Pc



8

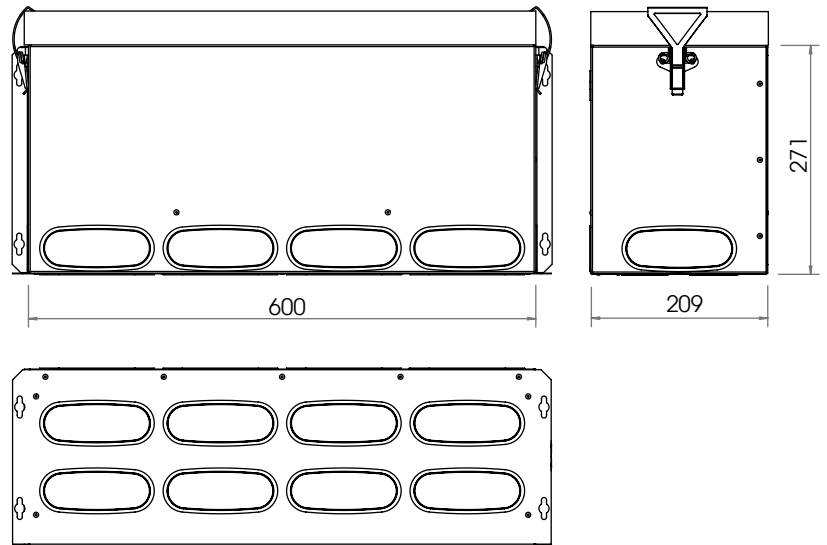
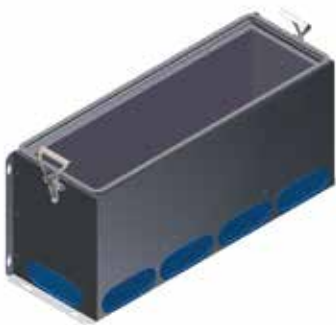


159,00

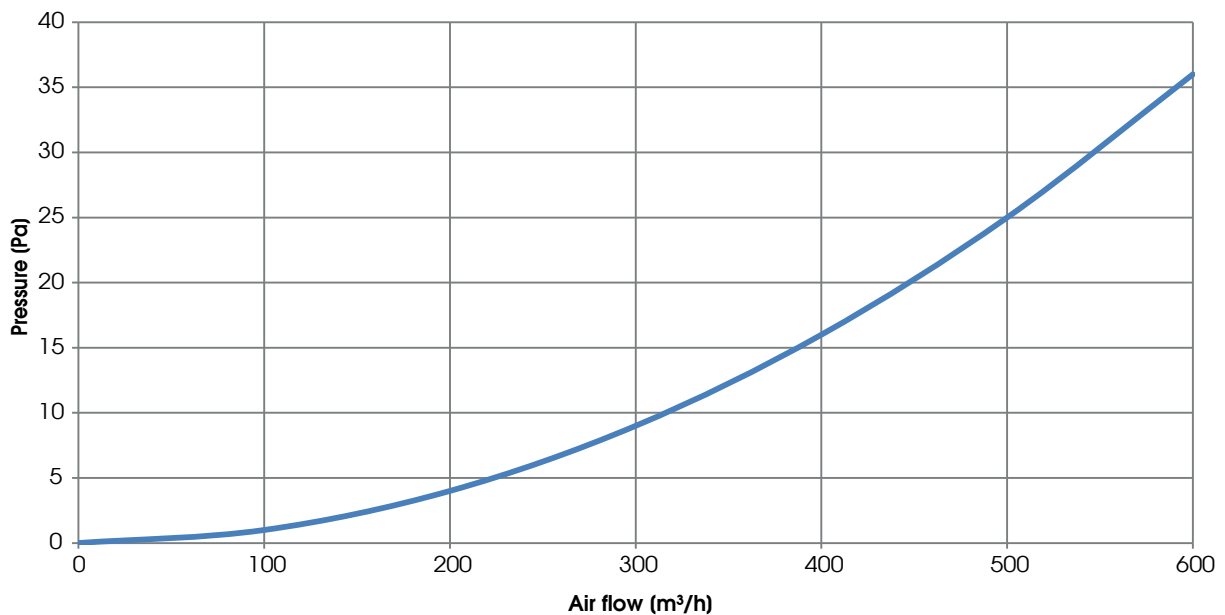


INFERIOR PART OF NOISE ATTENUATED PLENUM - low version

Inferior part of noise attenuated plenum low version - 14 connections for Linear Connection plenum - Flattened section semirigid ducts - 52x132 mm

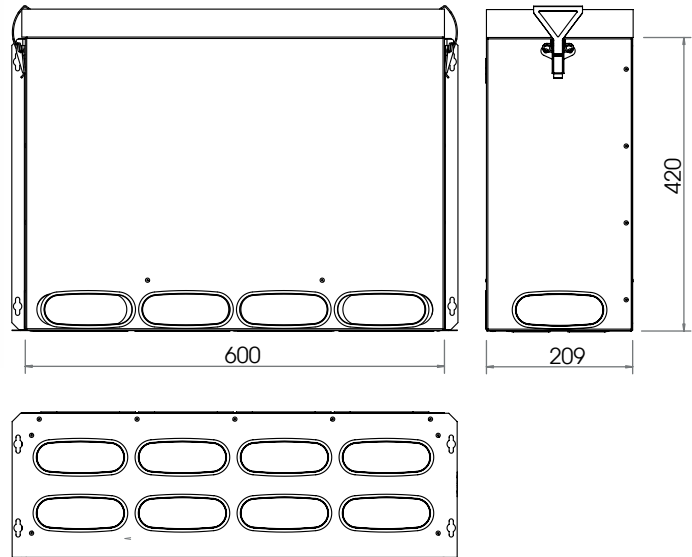
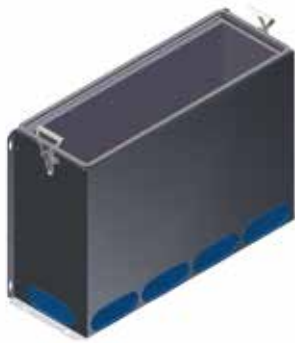


Code	Quantity	Weight (kg)	Price (€)	Packaging dim. (mm)
CADPLENUM020	1 Pcs	5,00	288,00	702x213x325 h

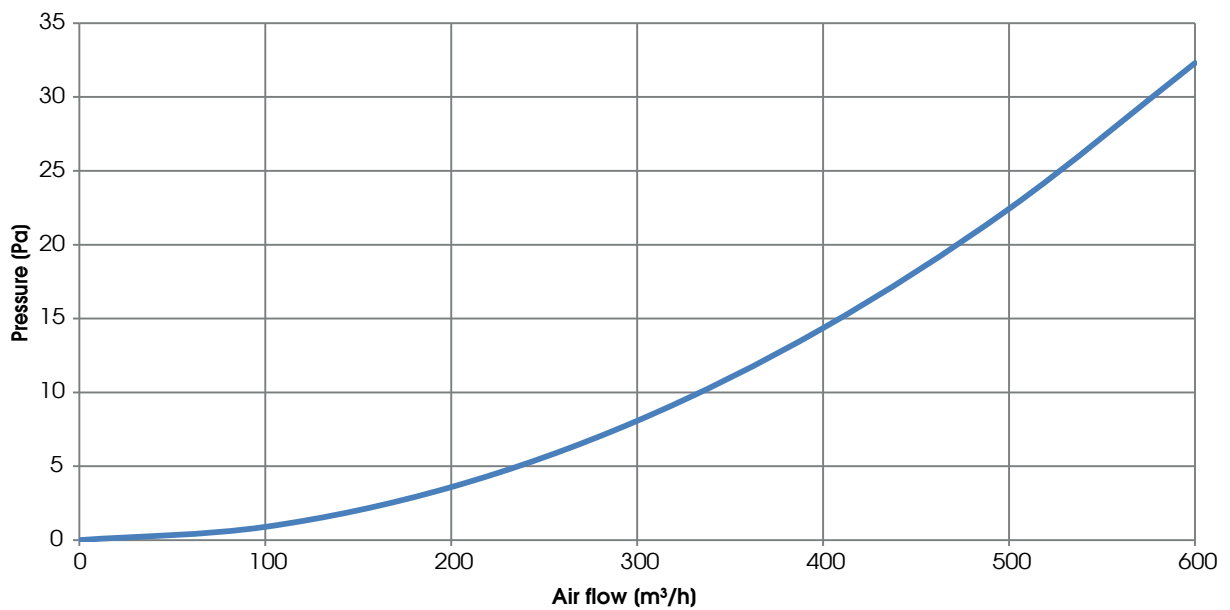


INFERIOR PART OF NOISE ATTENUATED PLENUM - high version

Inferior part of noise attenuated plenum - high version - 14 connections for Linear Connection plenum Flattened section semirigid ducts - 52x132 mm

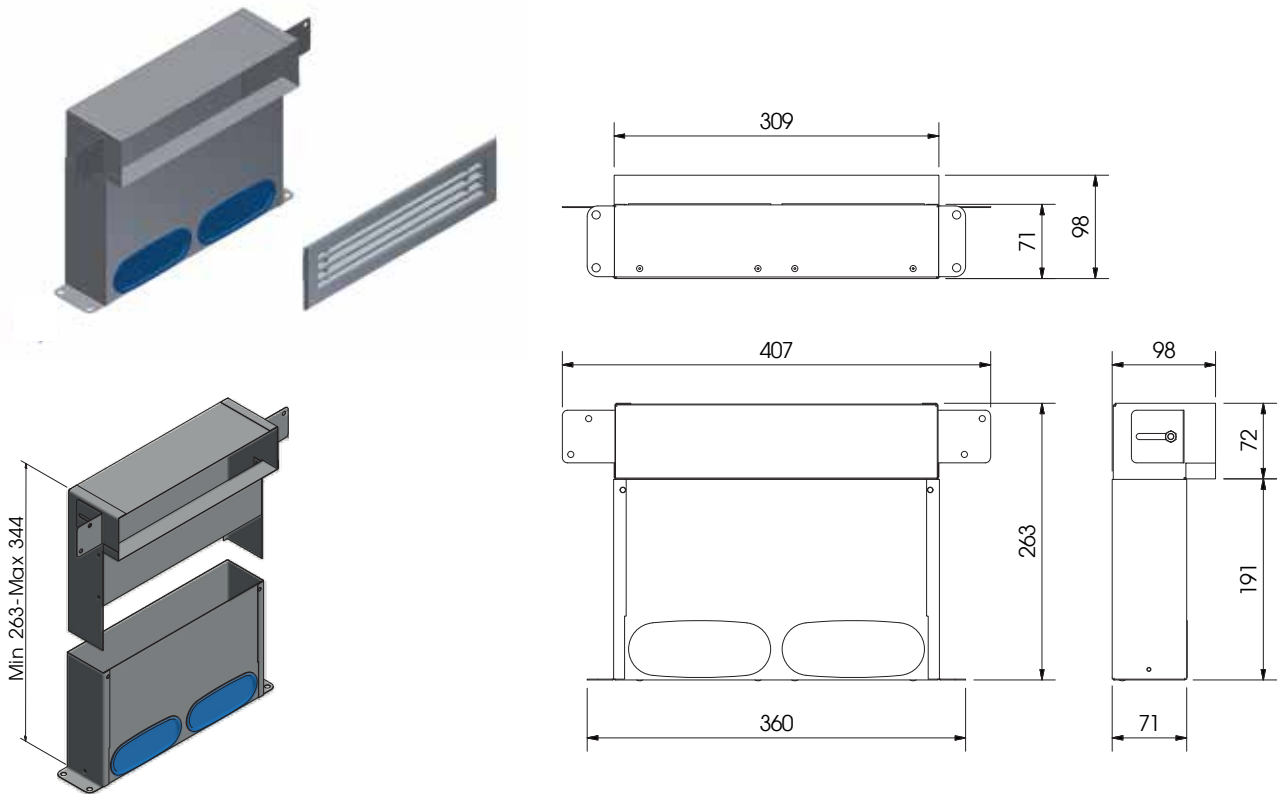


Code	Quantity	Weight (kg)	Price (€)	Packaging dim. (mm)
CADPLENUM021	1 Pcs	7,00	387,00	702x213x475 h

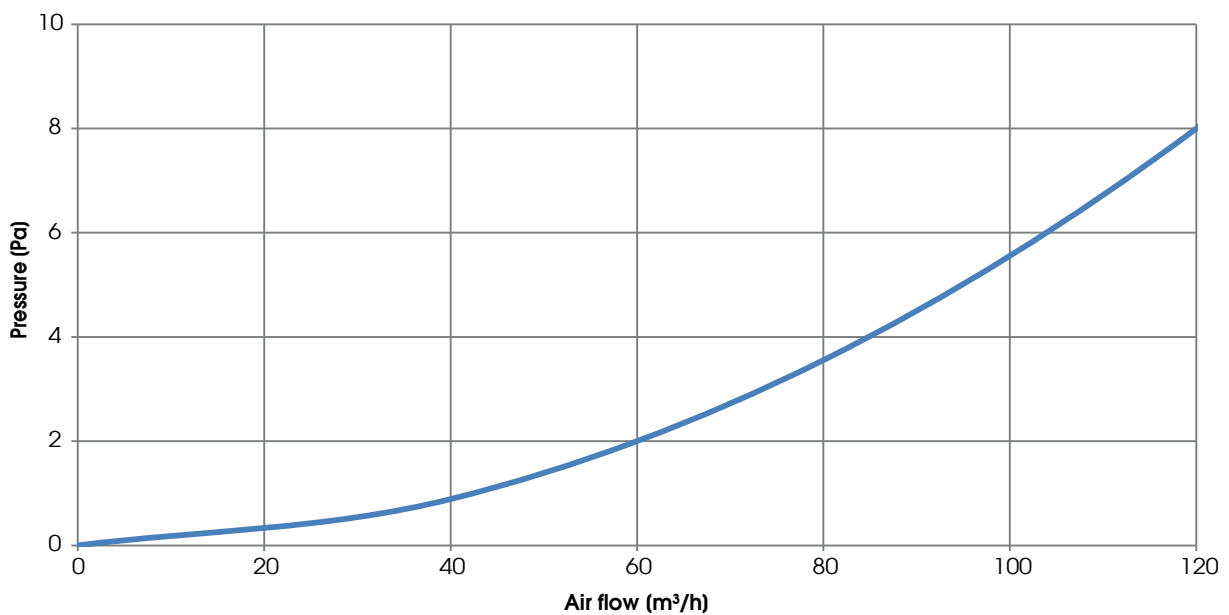


WALL PLENUM WITH GRID - OVAL duct

Wall plenum with grid for Flattened section semirigid ducts - 52x132 mm

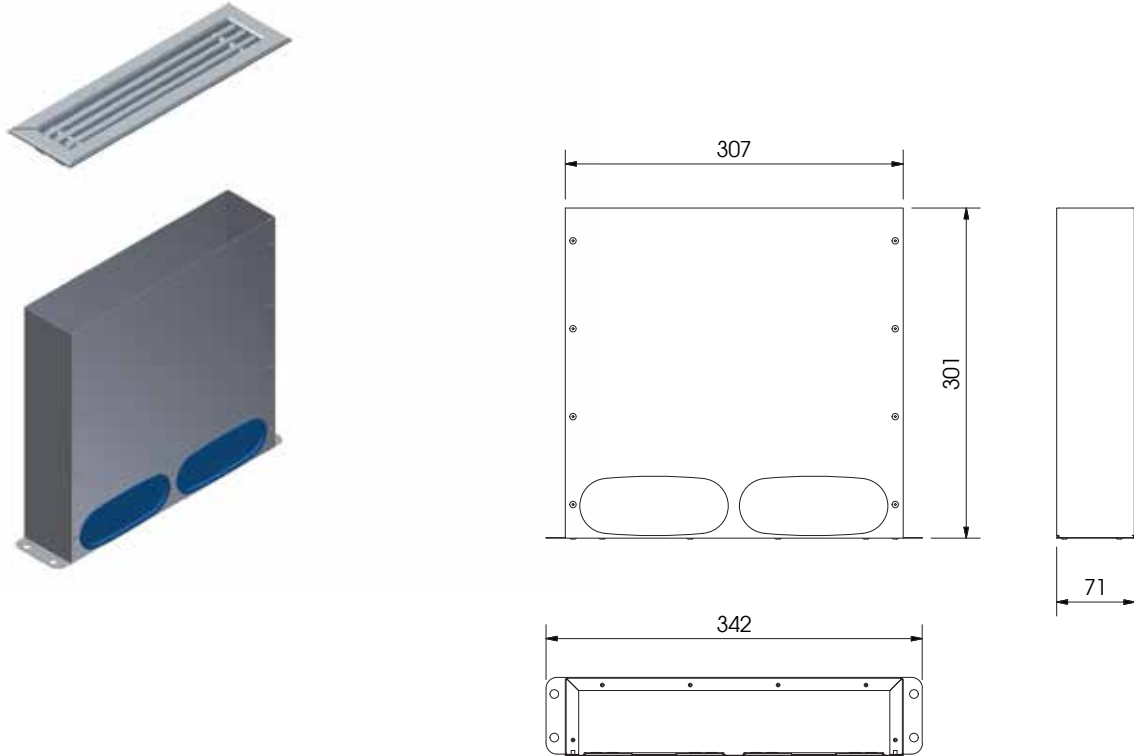


Code	Quantity	Weight (kg)	Price (€)	Packaging dim. (mm)
CADCONACC060	1 Pcs	2,50	161,00	360x270x250 h

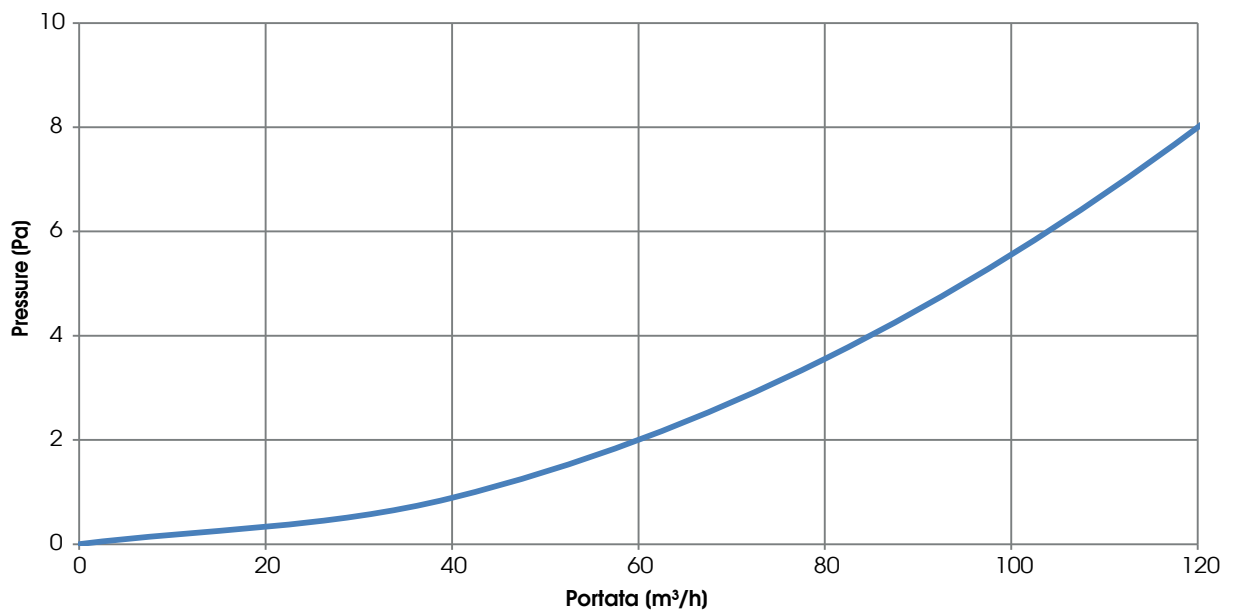


FLOOR PLENUM WITH GRID - OVAL duct

Floor plenum with grid for Flattened section semirigid ducts - 52x132 mm



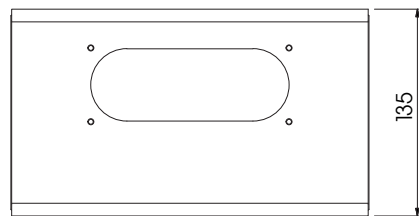
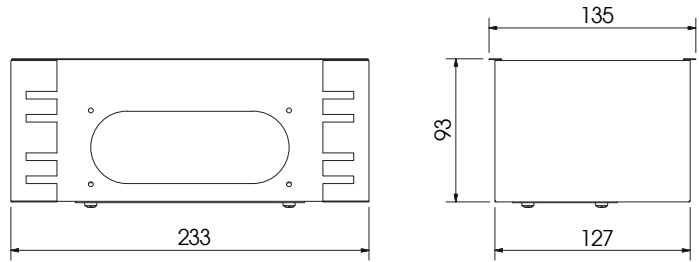
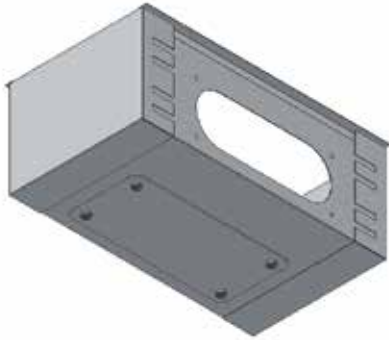
Code	Quantity	Weight (kg)	Price (€)	Packaging dim. (mm)
CADCONACC061	1 Pcs	1,9	146,00	390x390x250 h



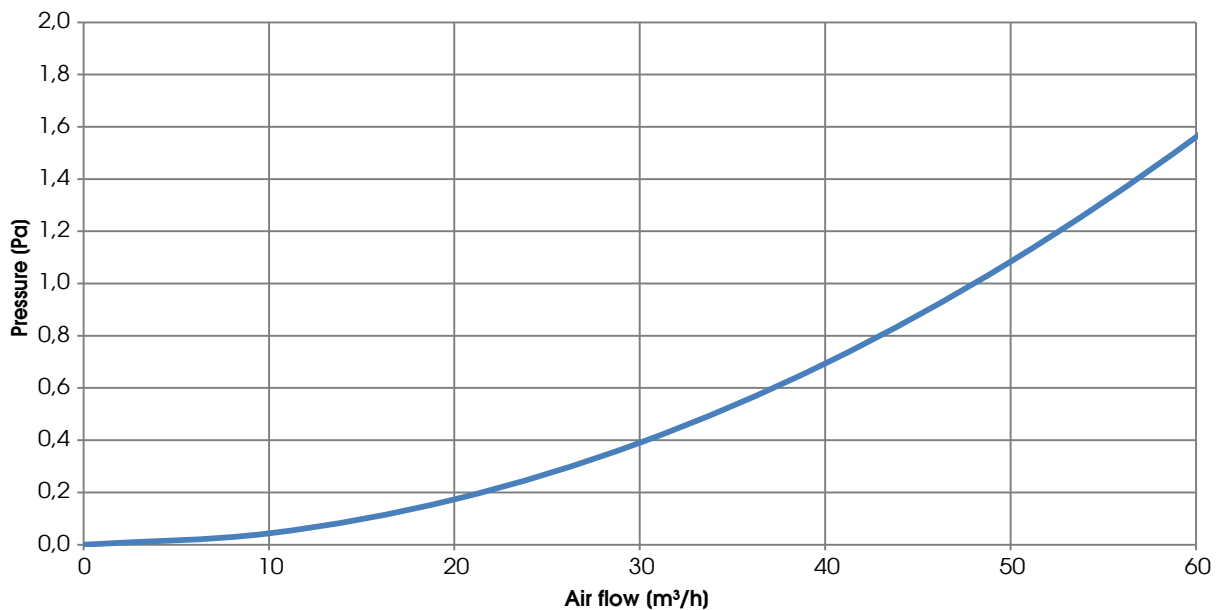
INSULATED TERMINAL PLENUM - OVAL duct

Insulated Terminal plenum 1 or 2 connections for Linear Connection plenum - Flattened section semirigid ducts - 52x132 mm

NOTA: The plenum It is supplied complete with reinforced cardboard closure, for protection during work.

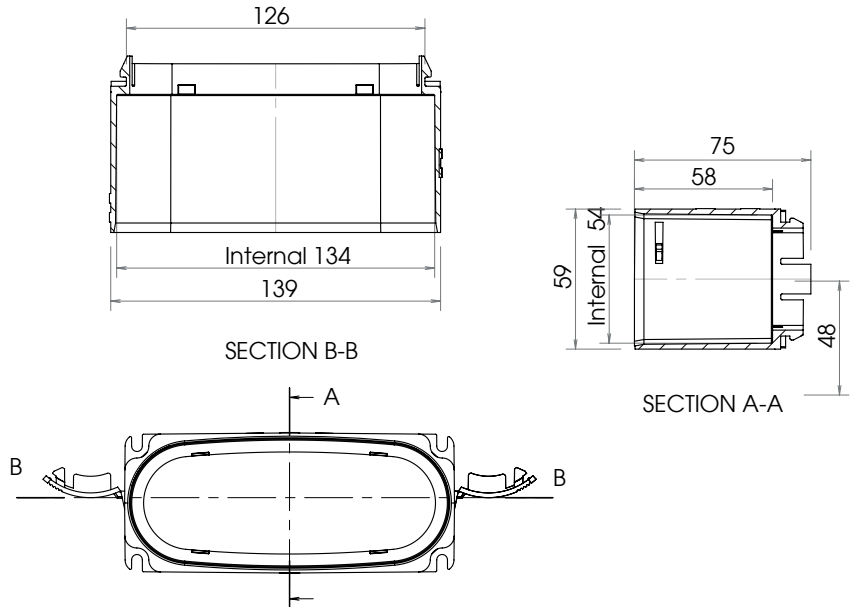


Code	Quantity	Weight (kg)	Price (€)	Packaging dim. (mm)
CADTERDOV001	1 Pcs	8,00	62,00	130x235x85 h



LINEAR JUNCTION AND ADJUSTABLE DIAPHRAM

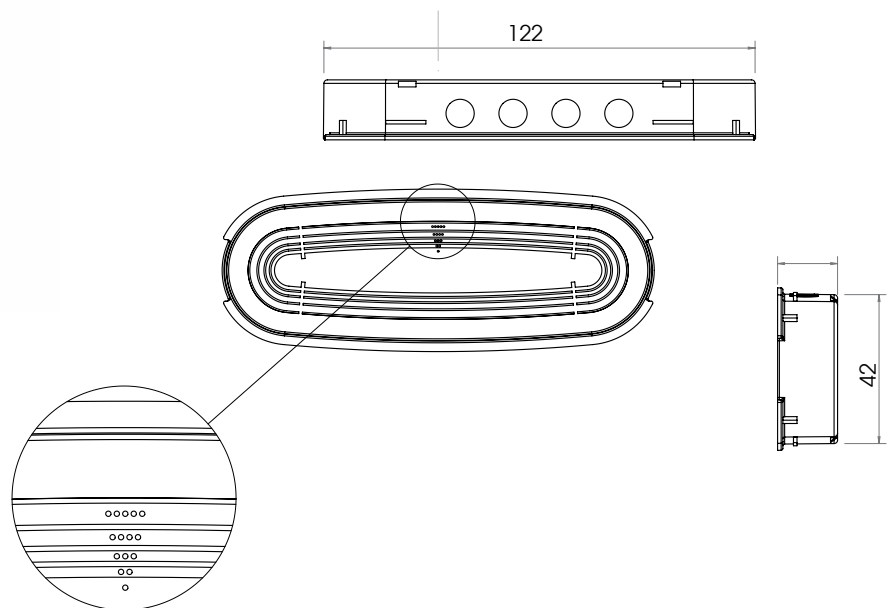
Linear junction between plenum and Flattened section semirigid duct - 52x132 mm, with seal



Code	Quantity	Weight (kg)	Price (€)	Packaging dim. (mm)
------	----------	-------------	-----------	---------------------

CADCONACC052	● 1 Pcs	● 0,75	● 24,00	● -
CADCONACC052-P	● 1 conf (12 Pcs)	● 9,30	● 240,00 (ea.20,00)	● 300x250x260 h

Adjustable diaphragm (air flow balancing) for Flattened section semirigid ducts - 52x132 mm

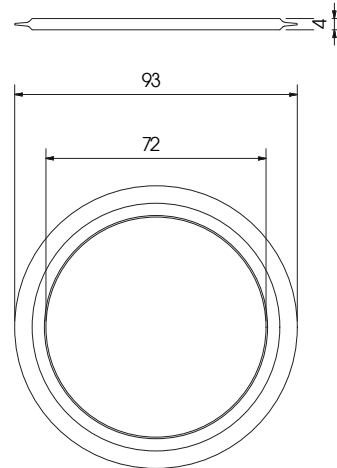


Code	Quantity	Weight (kg)	Price (€)	Packaging dim. (mm)
------	----------	-------------	-----------	---------------------

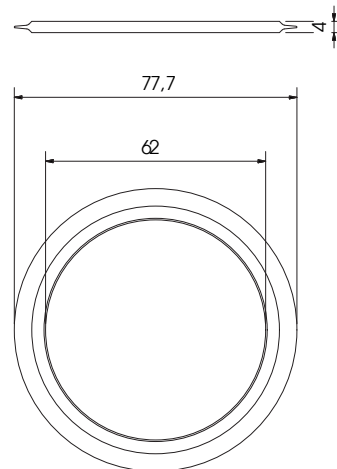
CADCONACC057	● 1 Pcs	● 0,28	● 7,20	● -
CADCONACC057-P	● 1conf (12 Pcs)	● 3,66	● 72,00 (cad.6,00)	● 300x1250x260 h

SEMIRIGID CIRCULAR DUCT and OVAL SEAL Ø 90/76 mm

SEMIRIGID CIRCULAR DUCT and OVAL SEAL Ø 90/76 mm



SEMIRIGID CIRCULAR DUCT and CIRCULAR SEAL Ø 75/63 mm

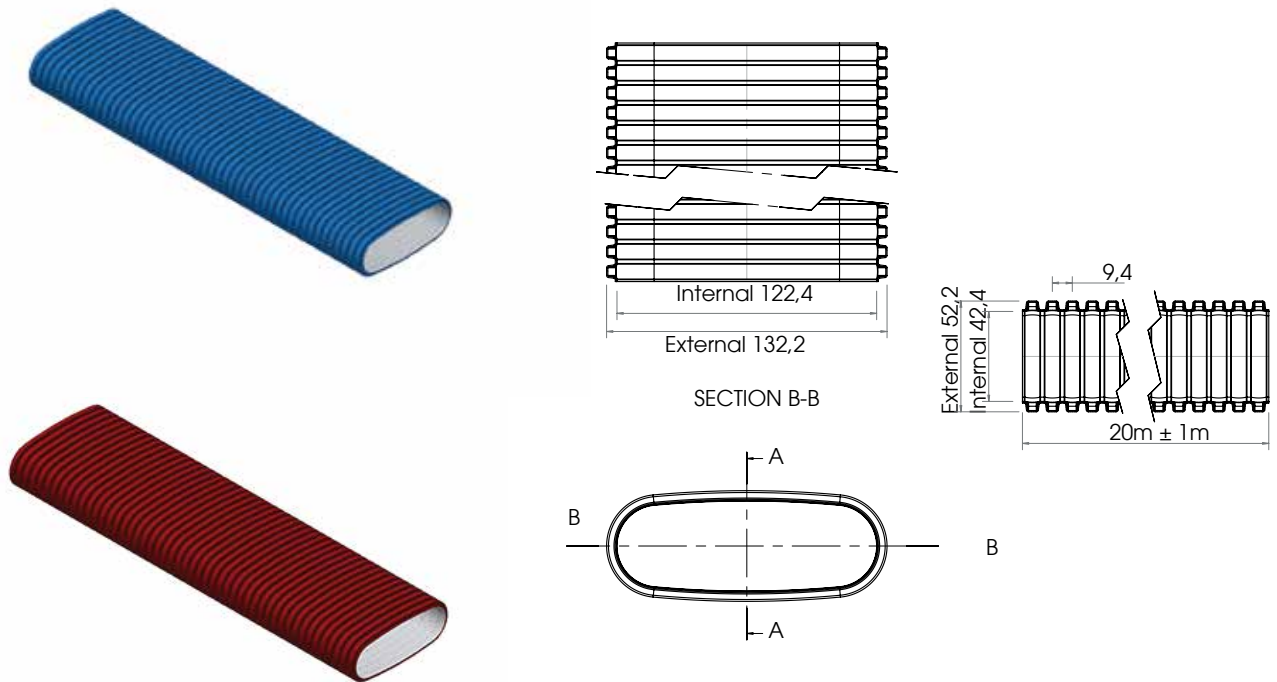


Code	Quantity	Weight (kg)	Price (€)	Packaging dim. (mm)
CADCONACC058	● 1 Pz	● 0,8	● 3,00	● -
CADCONACC058-P	● 1 conf (12Pz)	● 8,3	● 30,00 (cad.2,50)	● 105x105x105 h
CADCONACC064	● 1 Pz	● 0,8	● 3,00	● -
CADCONACC064-P	● 1 conf (12Pz)	● 8,3	● 30,00 (cad.2,50)	● 105x105x105 h

OVAL SEMIRIGID DUCT

Flattened section semirigid duct - 52x132 mm - supply air flow BLUE or extraction air flow RED

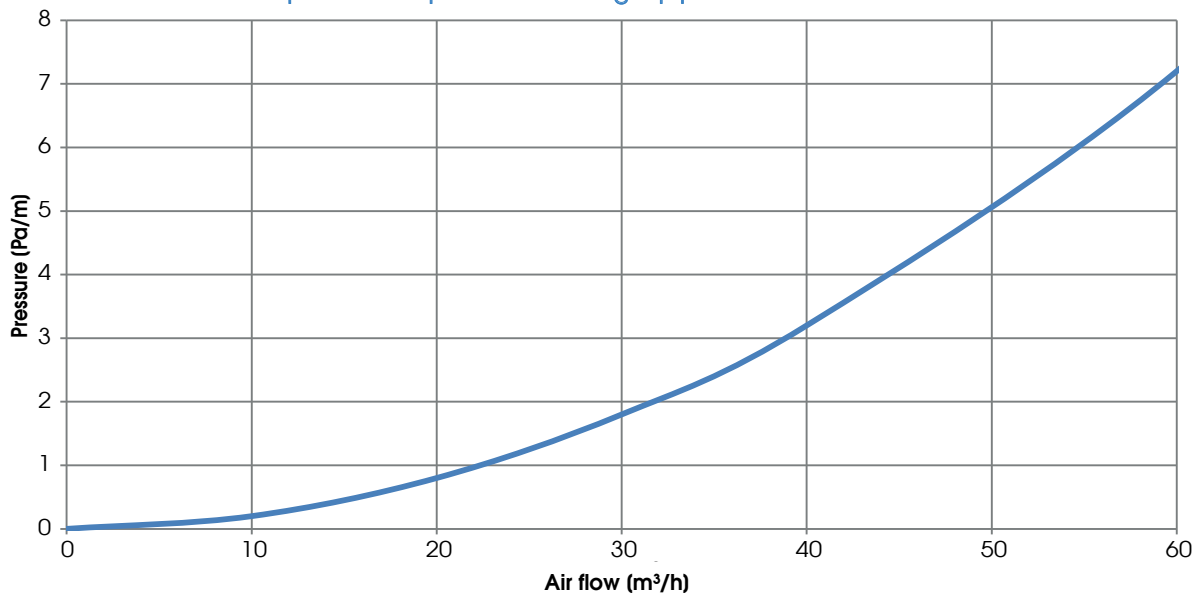
NOTE: radius of curvature on horizontal plane = 300 mm



N.B. - RED duct (CADCONACC050) while stocks last; on request, delivery approximately 2 working weeks

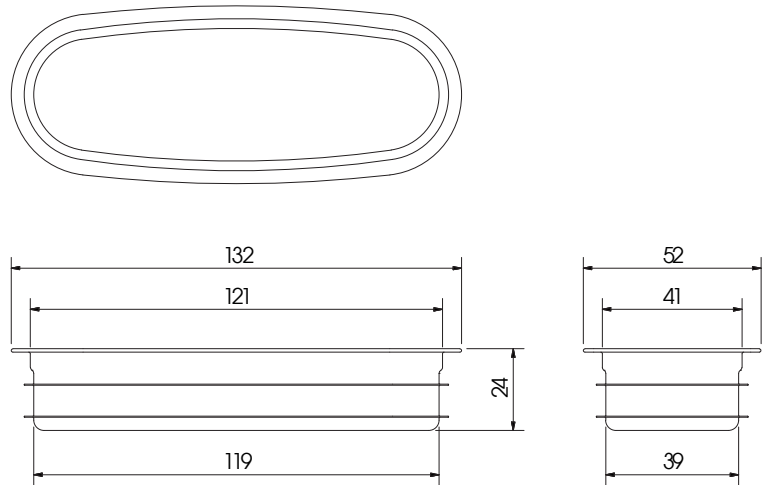
Code	Quantity	Weight (kg)	Price (€)	Packaging dim. (mm)
CADCONACC051	● 20 m (BLUE)	● 10,5	● 380,00	● 1300x1300x140
CADCONACC050	● 20 m (RED)	● 10,5	● 380,00	● 1300x1300x140

Air pressure drop for 1 M of straight pipe of oval duct



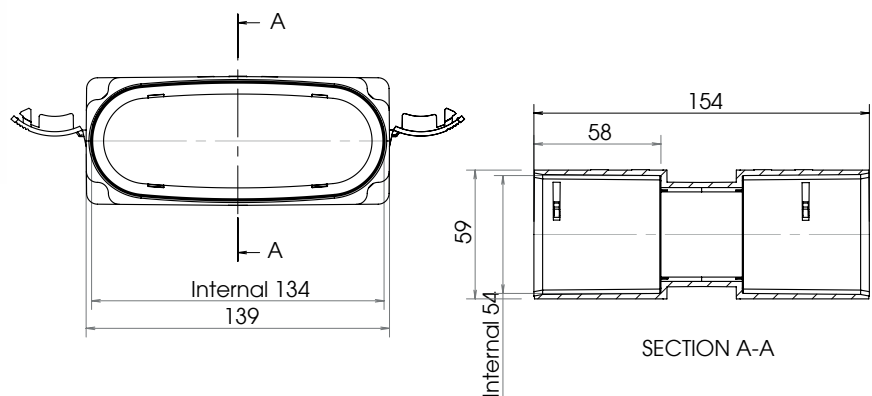
COVER FOR OVAL DUCT AND LINEAR CONNECTION

Cover for Flattened section semirigid ducts - 52x132 mm



Code	Quantity	Weight (kg)	Price (€)	Packaging dim. (mm)
CADCONACC062	● 1 Pz	● 0,13	● 9,60	● -
CADCONACC062-P	● 1 conf (12 Pz)	● 1,86	● 96,00 (cad.8,00)	● 175x160x105 h

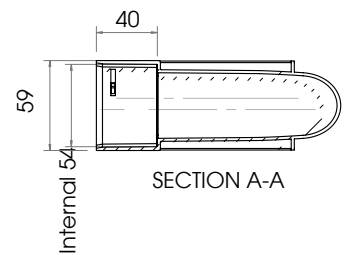
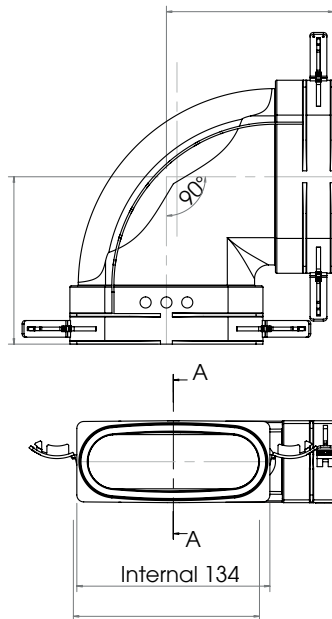
Linear junction between two Flattened section semirigid duct - 52x132 mm, with two seals



Code	Quantity	Weight (kg)	Price (€)	Packaging dim. (mm)
CADCONACC053	● 1 Pz	● 0,14	● 33,60	● 150x160x70 h
CADCONACC053-P	● 1 conf (6Pz)	● 1,05	● 168,00 (cad.28,00)	● 320x240x250 h

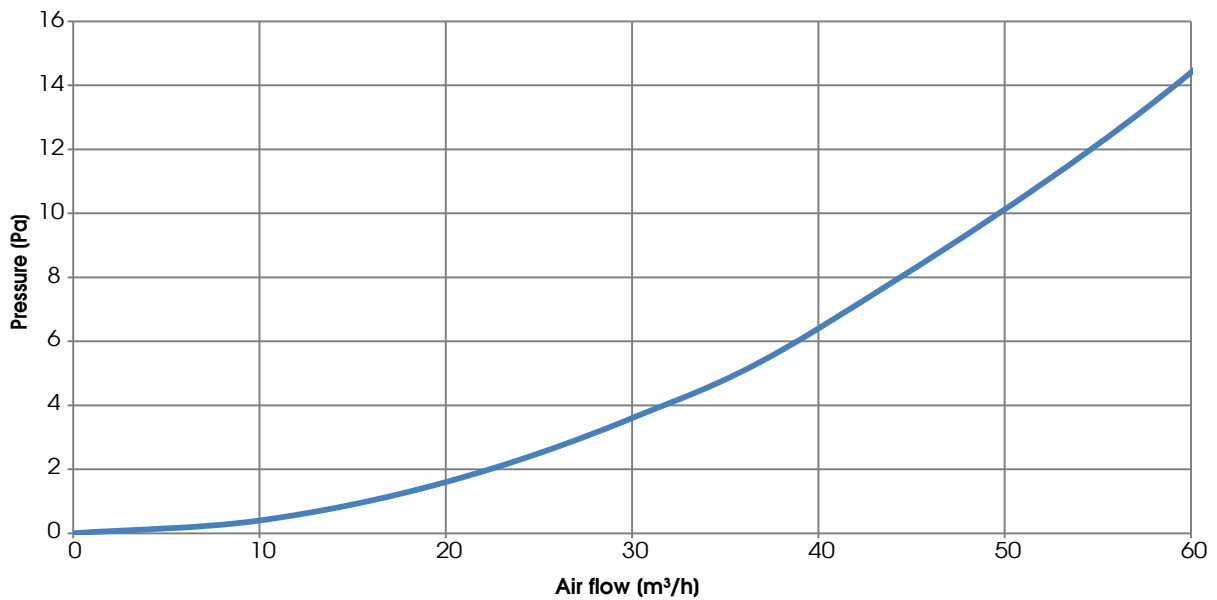
HORIZONTAL 90° CURVED JUNCTION

Horizontal 90° curved junction between two Flattened section semirigid ducts - 52x132 mm - with two seals



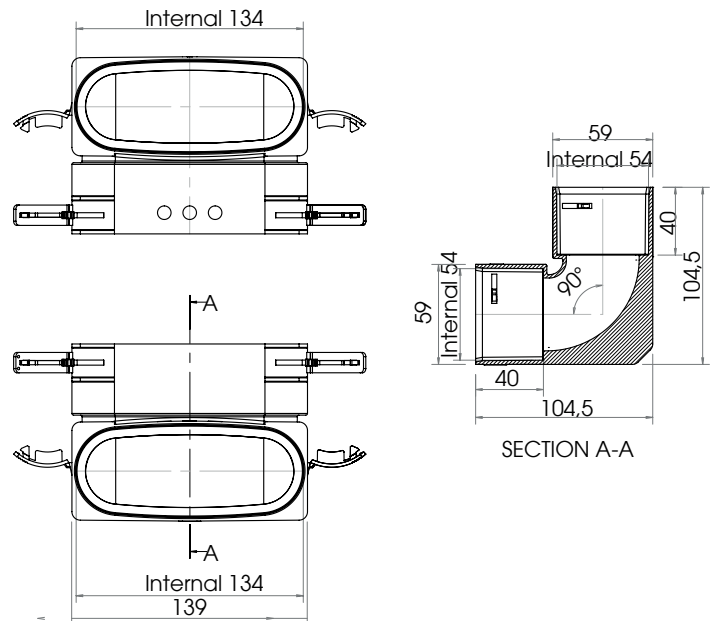
Code	Quantity	Weight (kg)	Price (€)	Packaging dim. (mm)
------	----------	-------------	-----------	---------------------

CADCONACC054	● 1 Pz	● 0,16	● 25,20	● 250x250x100 h
CADCONACC054-P	● 1 conf (6Pz)	● 1,29	● 126,00 (cad.21,00)	● 360x270x250 h



VERTICAL 90° CURVED JUNCTION

Vertical 90° curved junction between two Flattened section semirigid ducts 52x132mm - with two seals



Code

Quantity

Weight (kg)

Price (€)

Packaging dim. (mm)

CADCONACC055



1 Pz



0,16



26,40



-

CADCONACC055-P



1 conf (6Pz)



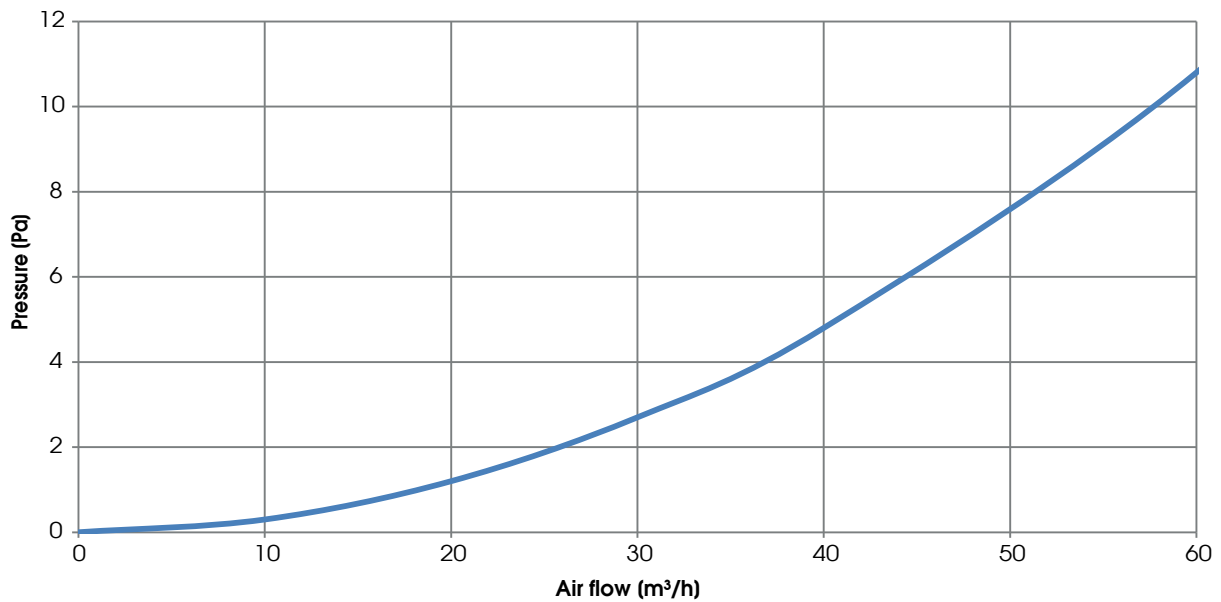
1,26



132,00 (cad.22,00)

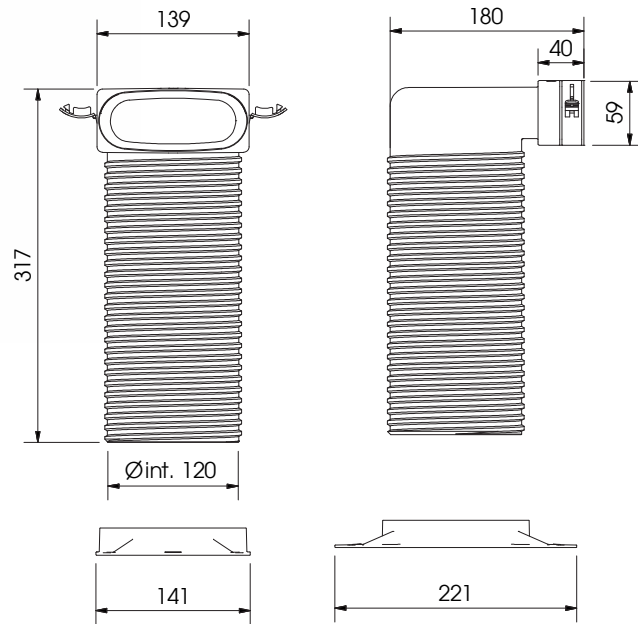


320x240x250 h



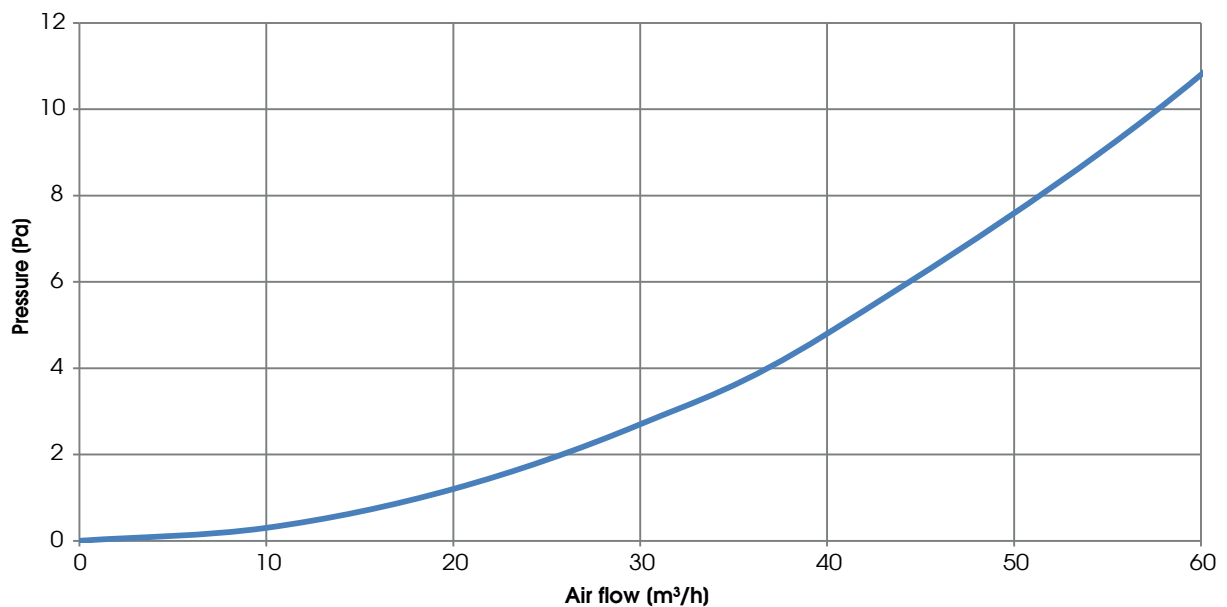
90° CURVED TERMINAL DEVICE

90° curved Terminal device for Flattened section semirigid ducts - 52x132 mm (with seal) and ventilation valve



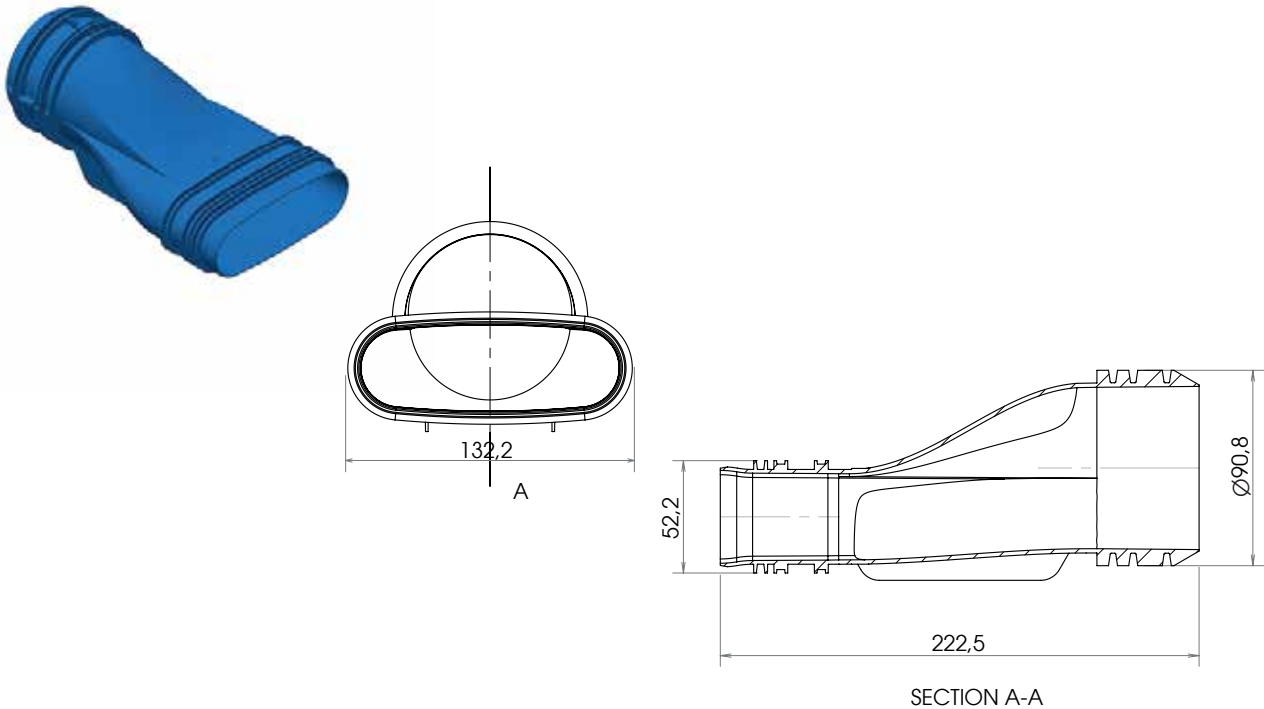
Code	Quantity	Weight (kg)	Price (€)	Packaging dim. (mm)
------	----------	-------------	-----------	---------------------

CADCONACC059	● 1 Pz	● 0,47	● 43,20	● -
CADCONACC059-P	● 1 conf (6 Pz)	● 3,12	● 216,00 (cad.36,00)	● 445x445x365 h



LINEAR JUNCTION

Linear junction between Flattened section junction - 52x132 mm and circular section junction - \varnothing 90/76 mm



Code	Quantity	Weight (kg)	Price (€)	Packaging dim. (mm)
CADCONACC056	● 1 Pz	● 0,17	● 33,60	● -
CADCONACC056-P	● 1 conf (6Pz)	● 1,32	● 168,00 (cad.28,00)	● 305x305x275 h

NOTA: matching between OVAL and CIRCULAR semirigid duct \varnothing 90/76 mm, with interposed other junction; is not possible the direct connection duct-adapter.

Between adapter and duct is possible to put this junction:

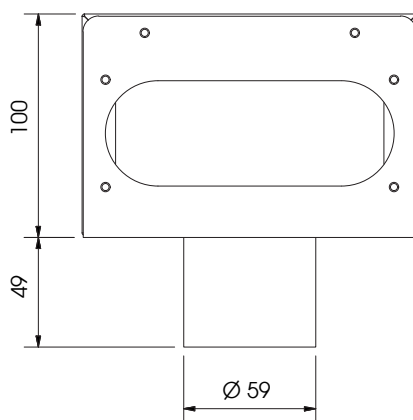
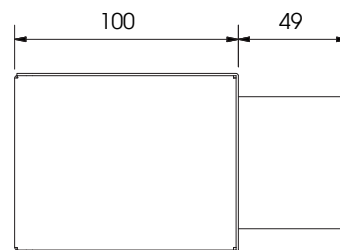
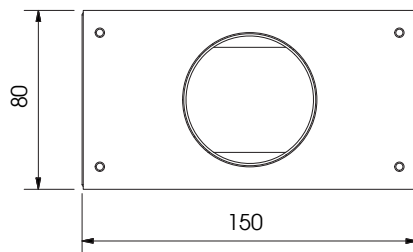
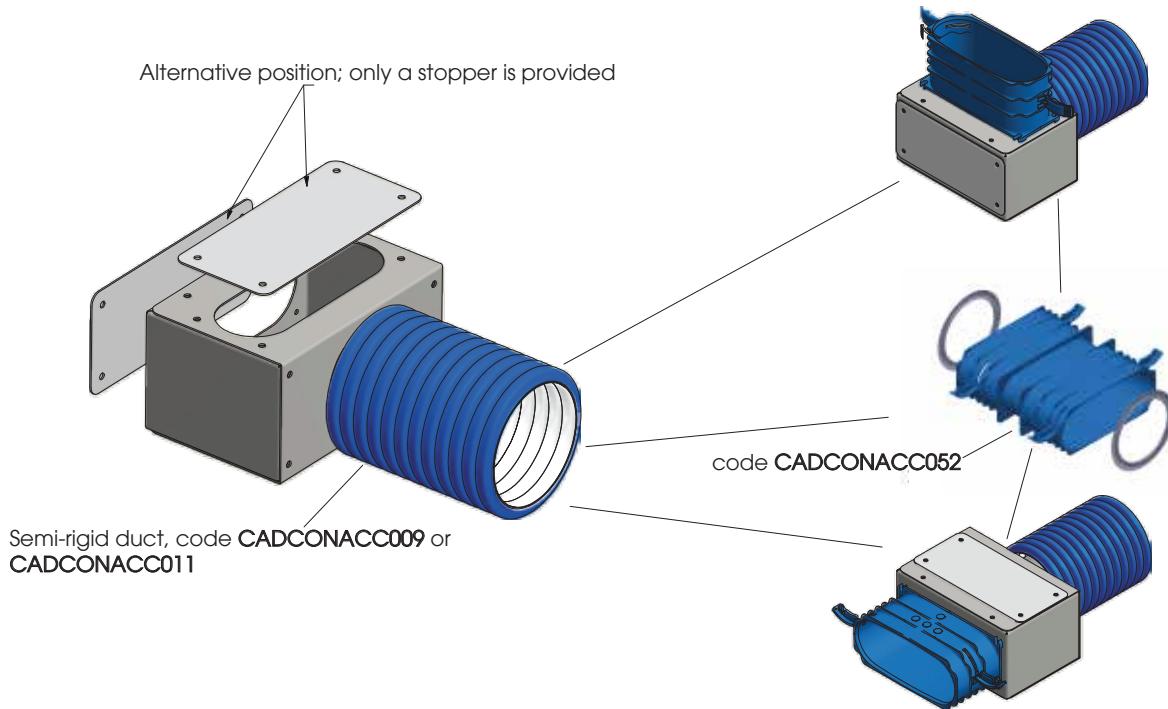
- . CIRCULAR, duct side \varnothing 90/76 mm = codes CADCONACC016, -018, -001, -003
- . OVAL, duct side = codes CADCONACC052, -053, -054, -055

Example:

- . CIRCULAR semirigid duct \varnothing 90/76 mm (code CADCONACC008)
- . linear Junction between 2 CIRCULAR semirigid ducts \varnothing 90/76 mm (code CADCONACC016)
- . adapter (code CADCONACC056)
- . linear Junction between 2 OVAL semirigid ducts (code CADCONACC053)
- . OVAL semirigid duct 52x132 mm (code CADCONACC051)

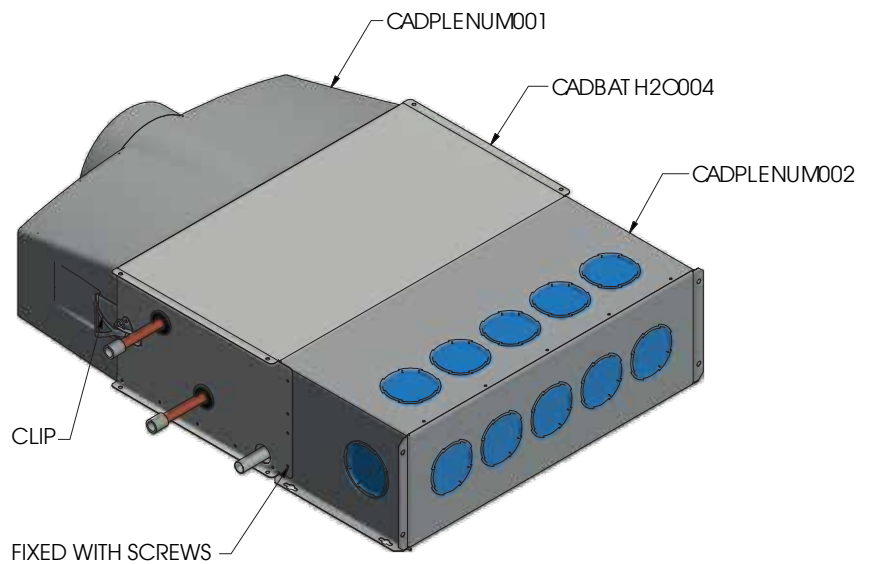
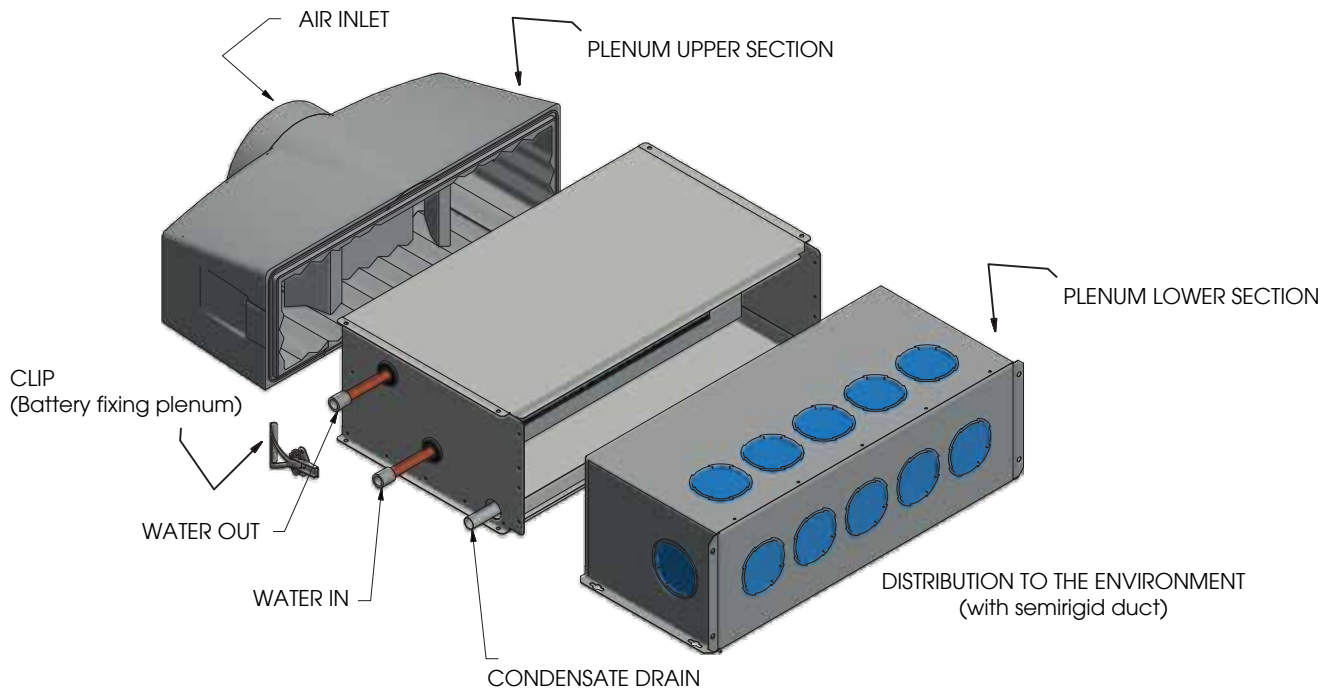
ADAPTER FOR CONNECTIONS BETWEEN CIRCULAR AND OVAL DUCTS

Adapter for connections between circular duct $\varnothing 75/63$ mm and oval duct 52x132 mm



Code	Quantity	Weight (kg)	Price (€)	Packaging dim. (mm)
CADCONACC065	1 Pc	0,4	54,00	150X150X80

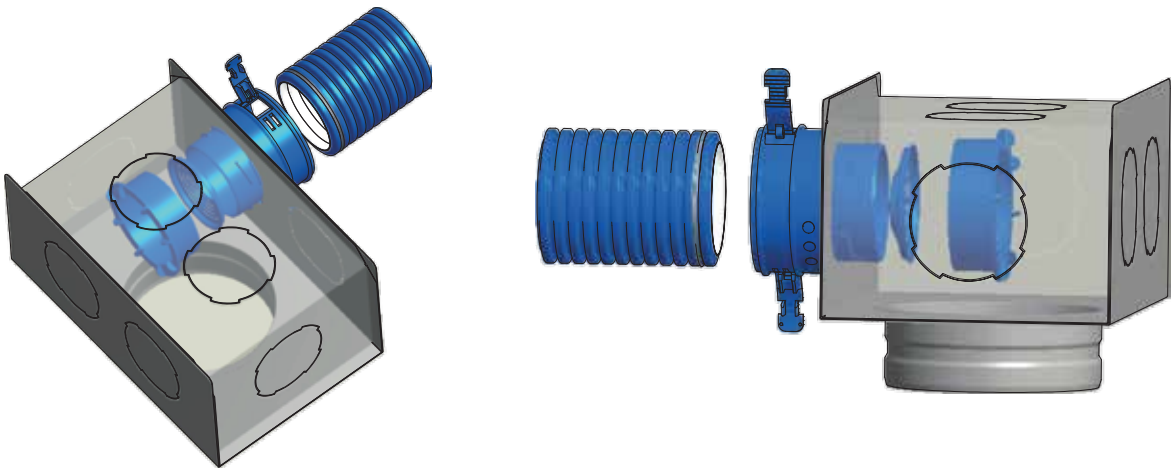
WATER COIL ASSEMBLY
 (intermediate module between the upper and lower plenum)



MOUNTING STRAIGHT CONNECTION ON PLENUM

Unscrew the ring nut and fix the linear or a 90° connection outside of the plenum; position the diaphragm and tighten the ring nut from the inside.

Fit the seal on the semi-rigid pipe, add the connection and close the lock in fins.

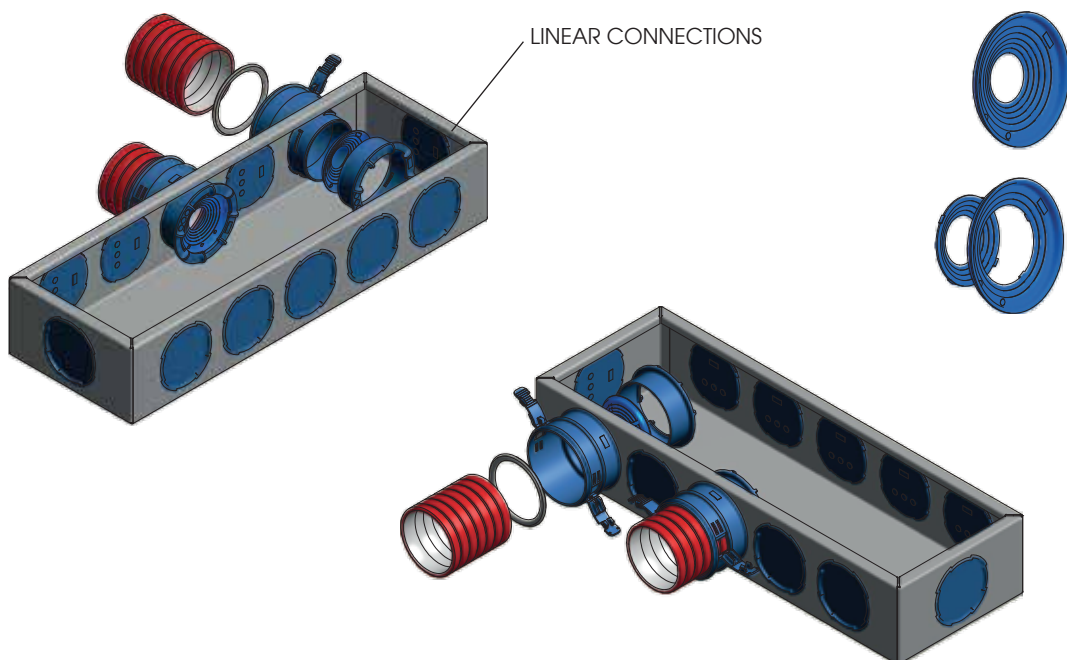


DIAPHRAGMS - SELECTION AND POSITIONING

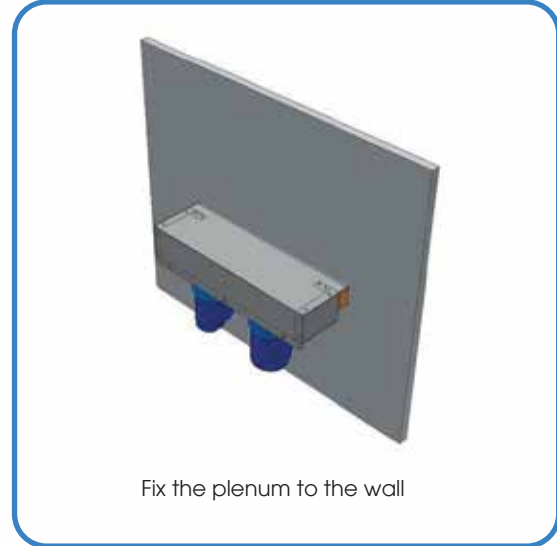
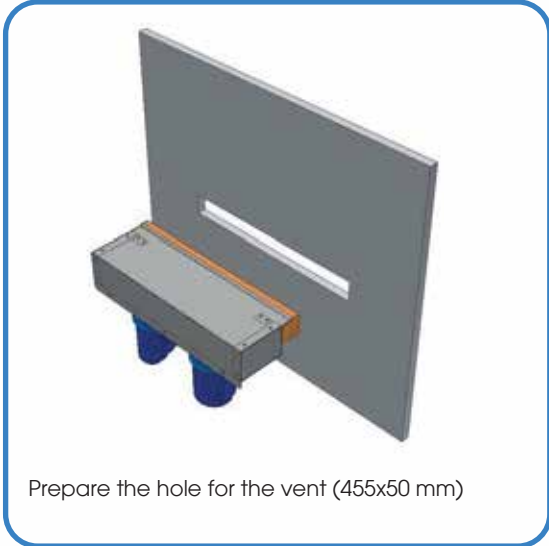
The diaphragms will be dimensioned via the specific calculation software.

On each ring of the diaphragm is printed the corresponding measuring of hole: you will find the diameters 63, 55, 48, 42, 36 and 30. The software indicates the diaphragm that it should be removed: "36" It indicates to leave the ring with written "36" (that will actually take the hole from 36 mm) and remove the lower ring "30".

Positioning the diaphragm in the LINEAR CONNECTIONS (code: CADCONACC001 or CADCONACC002) or 90° CONNECTIONS (code: CADCONACC003 or CADCONACC004) between plenum and semi-rigid duct, working from the inside of the plenum (inspectable).

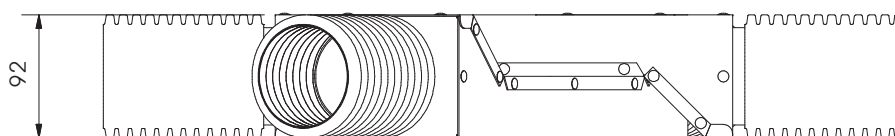
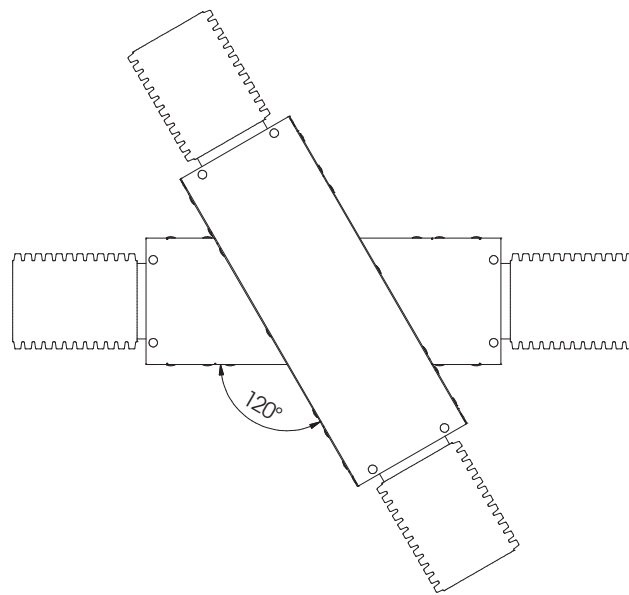
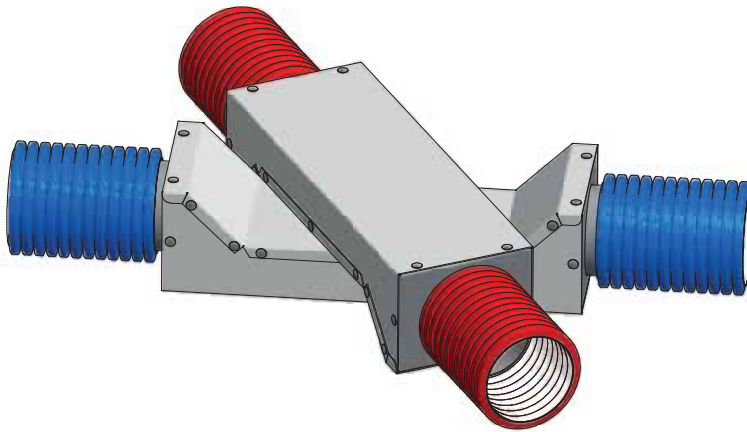


PLENUM INSTALLATION CADTERDIF024 WITH LINEAR DIFFUSER CADTERDIF023

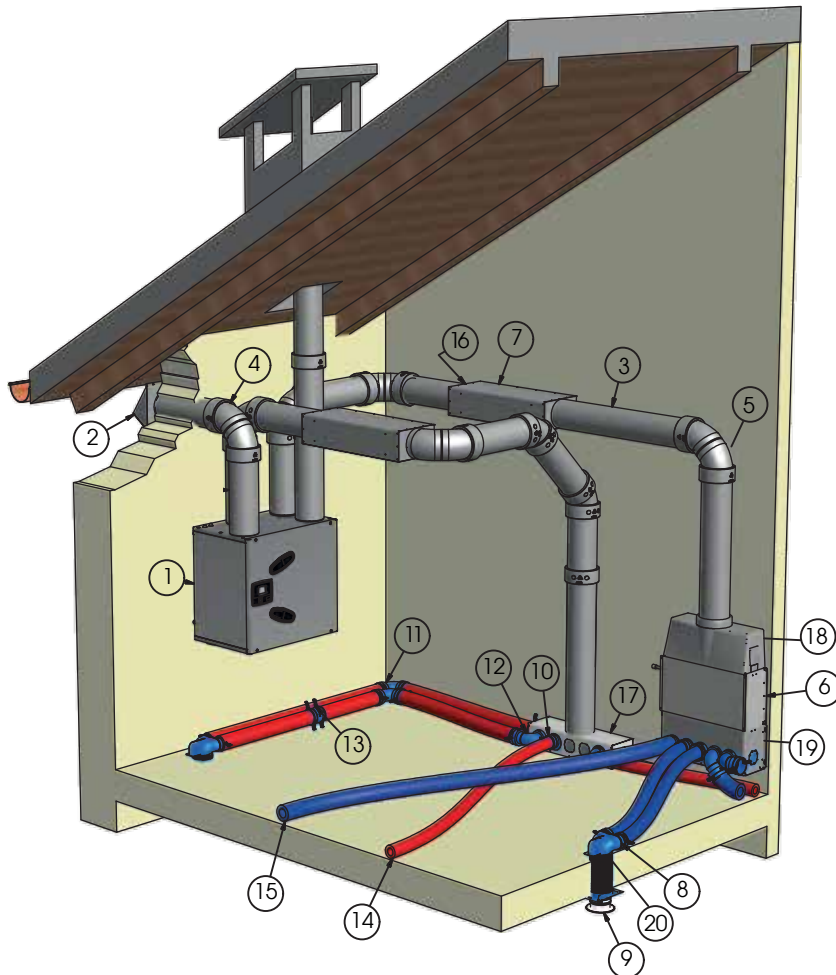


CROSSING DUCT

Accessories for reducing the total height in the event of crossing ducts $\varnothing 90/76$ mm

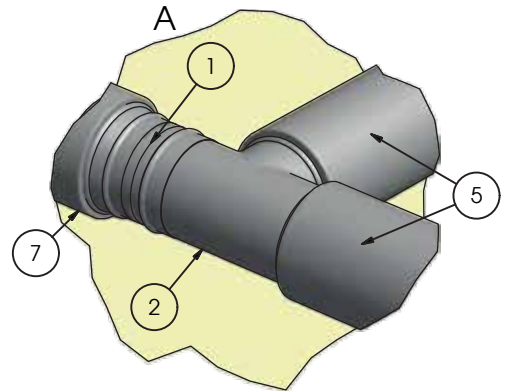
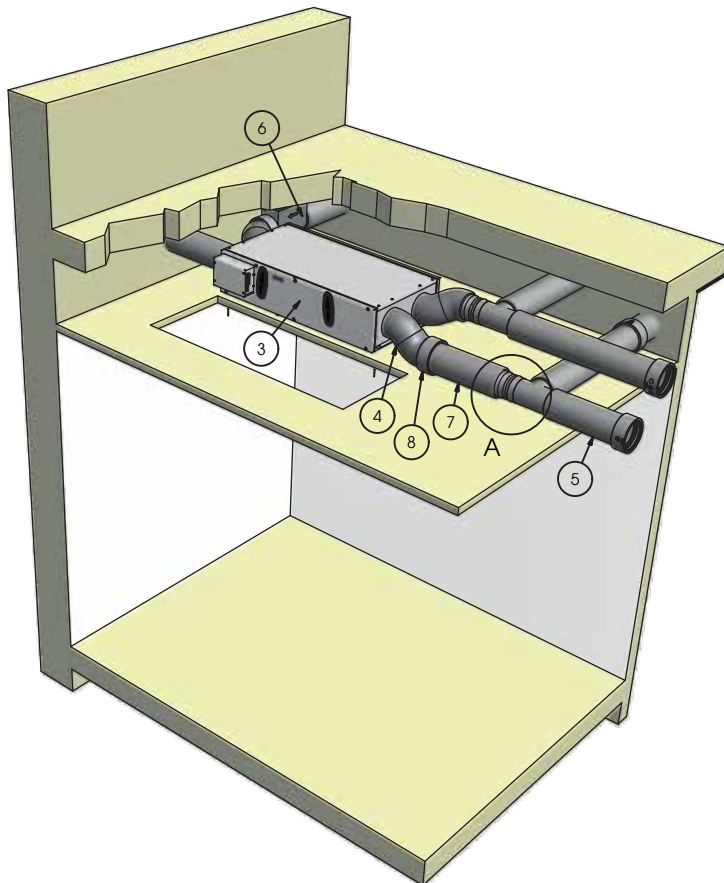


EXAMPLES OF INSTALLATION: REVERSUS



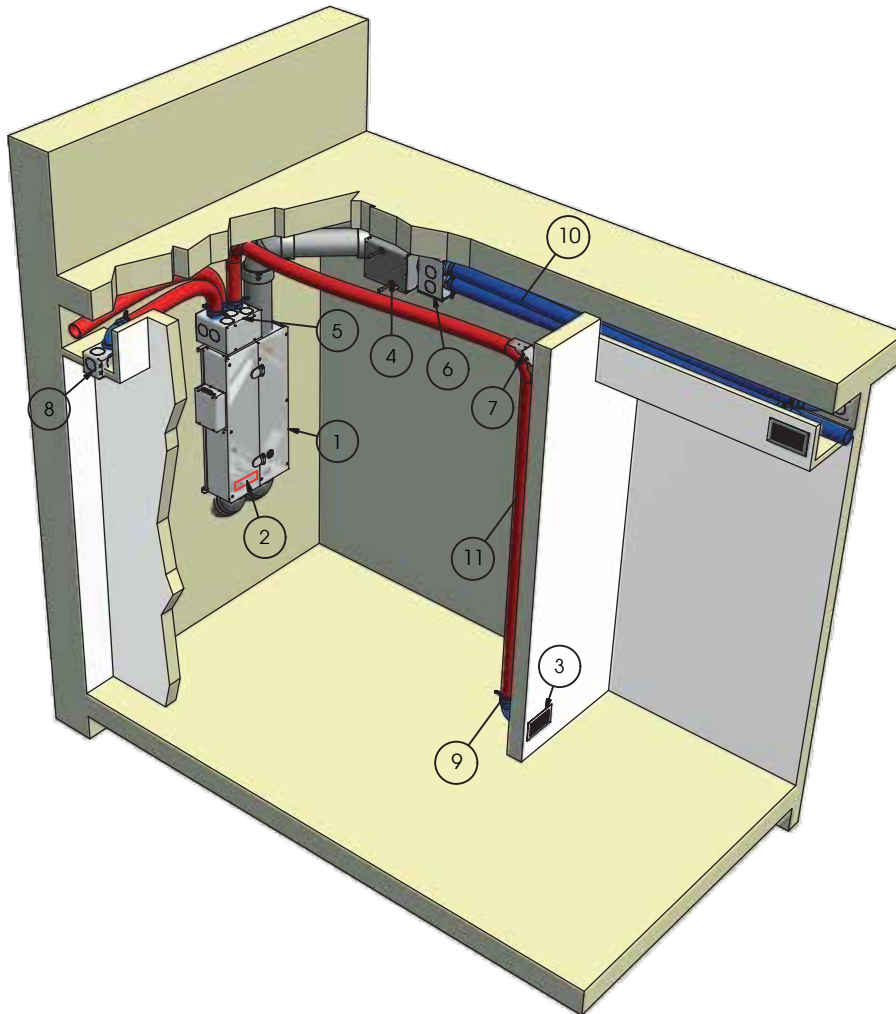
Reference	Code	Description
1	3EN0C0020ASV	REVERSUS-ENT 2 BP EVO-PH SV with EVO-PH
2	CADCONPPE019	terminal wall mounting - no painting - Ø 150 mm
3	CADCONPPE002	duct PPE Ø 150 mm - long 1 mt
4	CADCONPPE014	element connection element - Ø 150 mm
5	CADCONPPE008	curve PPE a 90 - Ø 150 mm
6	CADBATH2O004	post heating/cooling water coil BA-AF/AC between upper/lower part of the plenum
7	CADSILENZ006	Alveolar silencer 300x180x800 Ø 150 mm M - F
8	CADCONACC023	terminal at 90° for ventilation valve. with mountable adjustable plate - Ø 75/63 mm
9	CADTERDIF008	stainless white painted circular grid - Ø120 mm
10	CADCONACC002	linear connection between plenum and semi-rigid duct with seal - Ø 75/63 mm
11	CADCONACC019	curve at 90° for 2 semi-rigid ducts - with 2 seal - Ø 75/63 mm
12	CADCONACC004	connection at 90° between plenum and semi-rigid duct with seal - Ø 75/63 mm
13	CADCONACC017	linear Junction device between two semirigid ducts, with two seals - Ø 75/63 mm
14	CADCONACC011	semi-rigid duct: extraction air flow Ø 75/63 mm - RED (50 mt)
15	CADCONACC008	Semirigid duct: supply air flow Ø 90/76 mm - BLUE (50 mt)
16	CADRACC00004	Junction device for circular section ducts 150 mm (M)/150 mm (M)
17	CADPLENUM007	Insulated distribution plenum (supply/extraction) Ø 150 mm -17 conn.- 680x150x200 mm
18	CADPLENUM001	Upper part of plenum, circular connection - att. Ø 150/180 mm - 633x233x207 mm
19	CADPLENUM002	Inferior part of plenum low version - 12 att. - 603x271x207 mm
20	CADCONACC027	Extension - 250 mm length for curve at 90° and linear terminal devices

EXAMPLES OF INSTALLATION: HRE-RES



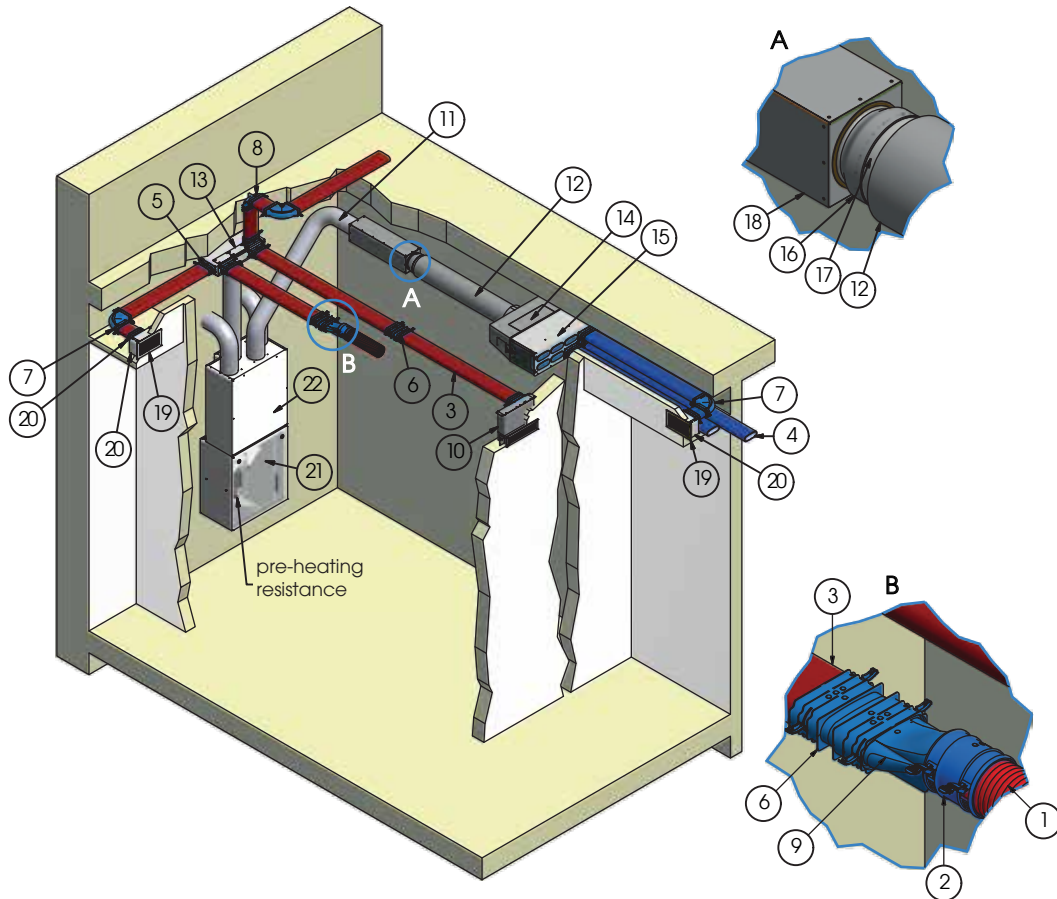
Reference	Code	Description
1	CADRACC00002	Junction device for circular section ducts 160 mm (M) 150 mm (F)
2	CADRACCAT005	T junction for circular duct three Ø 150 mm (M) connections
3	3BB0C0020BSH	HRE-RES 2 BP EVO-PH SH
4	CADCONPPE037	PPE curve at 90° - Ø160 mm
5	CADCONPPE002	PPE duct Ø 150 mm - long 1 mt
6	0E300511600M	electrical pre-heater 0,5 kW (230V-1-50Hz) Ø 160 mm
7	CADCONPPE036	PPE duct Ø 160 mm - long 1 mt
8	CADCONPPE038	PPE connection element - Ø 160 mm

EXAMPLES OF INSTALLATION: FLAT



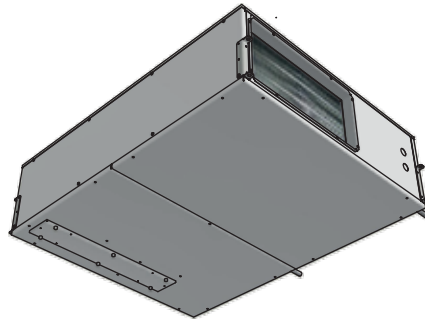
Reference	Code	Description
1	3DI0 CL02 0ASH	FLAT 2 BP EVO-PH pre-heater SH
2		electrical pre-heater (integrated on the unit)
3	CADTERDIF019	rectangular grid dim. 260x155 - stainless white painted
4	CADBATH2O002	post heating/cooling water coil BA-AF/AC size 2 - EVO - Ø 150 mm - 464x270x355 mm
5	CADPLXAIR008	plenum X-AIR for FLAT 1 and 2 - 8 attacks - dim. 183x243x250 isolated
6	CADCONACC002	linear connection between plenum and semi-rigid duct with seal - Ø 75/63 mm
7	CADCONACC013	support at 90° for curvature of the semi-rigid duct - Ø 75/63 mm
8	CADTERDIF011	Insulated Terminal plenum - circular section semirigid duct Ø 90/76 mm - dim. 232x127x140
9	CADCONACC004	connection at 90° between plenum and semi-rigid duct with seal - Ø 75/63 mm
10	CADCONACC009	Semirigid duct: supply air flow Ø 75/63 mm - BLUE (50mt)
11	CADCONACC011	Semirigid duct: extraction air flow Ø 75/63 mm - RED (50mt)

EXAMPLES OF INSTALLATION: MICRO-V

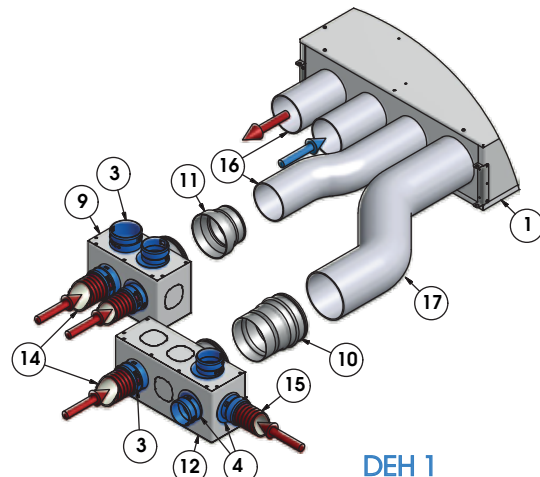
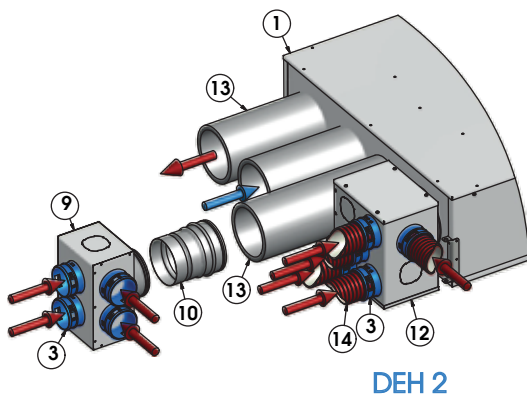
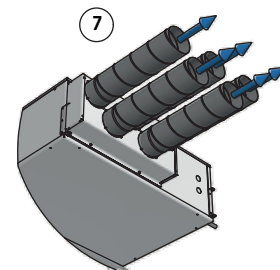
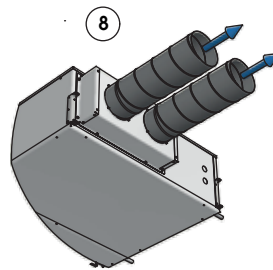
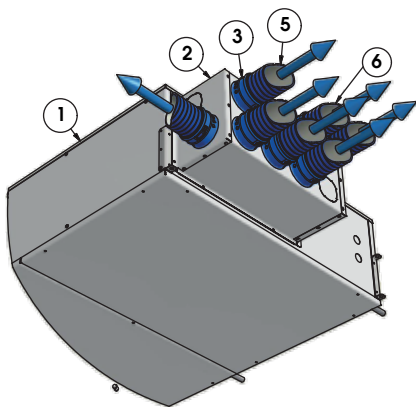


Reference	Code	Description
1	CADCONACC010	semirigid duct:extraction air flow Ø 90/76 mm - RED (50 mt)
2	CADCONACC016	linear Junction device between two semirigid ducts - 2 seal - Ø 90/76 mm
3	CADCONACC050	OVAL semi-rigid duct 52x132 mm - extraction air flow RED (20 mt)
4	CADCONACC051	OVAL semi-rigid duct 52x132 mm - Semirigid duct:supply air flow BLUE (20 mt)
5	CADCONACC052	linear connection between plenum and OVAL semi-rigid duct - with seal
6	CADCONACC053	linear connection between 2 OVAL semi-rigid ducts - with 2 seals
7	CADCONACC054	horizontal curve at 90° for OVAL semi-rigid ducts - with 2 seals
8	CADCONACC055	vertical curve at 90° for OVAL semi-rigid ducts - with 2 seals
9	CADCONACC056	adapter between CIRCULAR duct Ø 90/76 mm and OVAL duct
10	CADCONACC060	wall plenum - with grid - for OVAL ducts
11	CADCONFLX003	insulated flexible duct Ø 125 mm - 10 mt
12	CADCONPPE002	PPE duct Ø 150 mm - long 1 mt
13	CADPLENOV001	insulated distribution plenum (supply/extraction air flow) Ø 150 mm - 11 OVAL attacks
14	CADPLENUM001	upper part plenum, circular connection - att. Ø 150/180 mm - dim. 633x233x207 mm
15	CADPLENUM020	Inferior part plenum low version - 14 OVAL attacks - dim. 600x209x271 mm
16	CADRACC00001	junction device 125 (M) /150 (F)
17	CADRACC00004	junction device 150 (M)/150 (M)
18	CADSILENZ005	alveolar silencer Ø 125 mm - galvanized sheet 155x155x600 - M/F
19	CADTERDIF019	stainless white painted rectangular grid 260x155 mm
20	CADTERDOV001	Insulated Terminal plenum - for 2 OVAL attacks - 232x127x135 mm
21	3GALC0020ASV	MICRO-V EC BP EVO-PH - PRE-HEATER - SIL SV (left configuration)
22	CADSILENZ002	silencer module for MICRO-V

EXAMPLES OF INSTALLATION: plenum for DEH

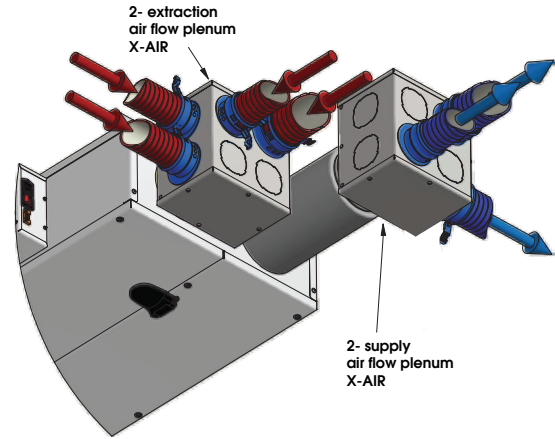
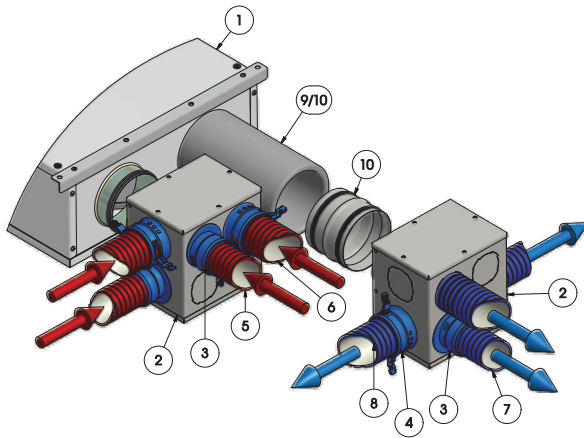


Reference	Code	Code	Description
1	DEH 2	DEH 1	unit DEH
2	CADPLXAIR011	CADPLXAIR010	X-AIR Insulated supply air flow plenum
3	CADCONACC001	CADCONACC001	connection plenum - duct Ø 90 mm
4	CADCONACC002	CADCONACC002	connection plenum - duct Ø 75 mm
5	CADCONACC008	CADCONACC008	circular semi-rigid duct Ø 90 mm - supply air flow
6	CADCONACC009	CADCONACC009	circular semi-rigid duct Ø 75 mm - supply air flow
7	0P0Z00000004	0P0Z00000003	plenum supply air flow standard
8	0P0Z00000006	0P0Z00000005	plenum supply air flow standard
9	CADPLENUM010	CADPLENUM010	Insulated distribution plenum
10	CADRACC00002		junction device for circular section Ø 160 mm (M)/150 mm (F)
11		CADRACC00001	junction device for circular section Ø 125 mm (M)/150 mm (F)
12	CADPLXAIR012	CADPLENUM009	recirculating air flow plenum
13	CADCONPPE036		PPE duct Ø 160 mm - long 1 mt
14	CADCONACC010	CADCONACC010	circular semi-rigid duct Ø 90 mm - extraction air flow
15	CADCONACC011	CADCONACC011	circular semi-rigid duct Ø 75 mm - extraction air flow
16		CADCONFLX003	insulated flexible duct Ø 125 mm - 10 mt
17	CADCONFLX002	CADCONFLX002	Insulated flexible duct Ø 160 mm - 10 mt

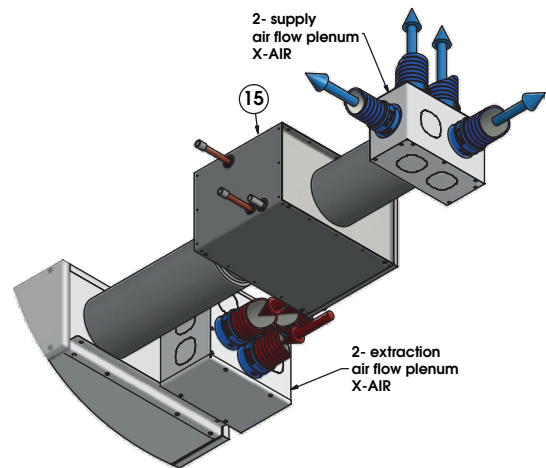
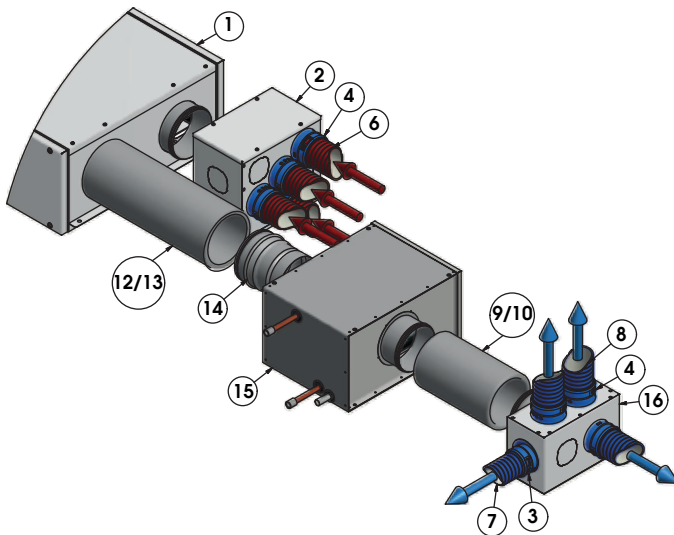


EXAMPLES OF INSTALLATION: plenum for FLAT and HRE-RES

FLAT 1 and FLAT 2 (Ø 150 mm)



HRE-RES 1 and HRE-RES 2 (Ø 160 mm)



Reference	Code	Code	Description
1	FLAT 1 and 2	HRE-RES 1 and 2	unit
2	CADPLXAIR008	CADPLXAIR009	X-AIR plenum SUPPLY/EXTRACTION
3	CADCONACC002	CADCONACC002	connection plenum - duct Ø 75 mm
4	CADCONACC001	CADCONACC001	connection plenum - duct Ø 90 mm
5	CADCONACC011	CADCONACC011	circular semi-rigid duct Ø 75 mm - EXTRACTION
6	CADCONACC010	CADCONACC010	circular semi-rigid duct Ø 90 mm - EXTRACTION
7	CADCONACC009	CADCONACC009	circular semi-rigid duct Ø 75 mm - SUPPLY
8	CADCONACC008	CADCONACC008	circular semi-rigid duct Ø 90 mm - SUPPLY
9	CADCONPPE002		PPE duct Ø 150 mm - long 1 mt
10	CADCONFLX001		Insulated flexible duct Ø 150 mm - 10 mt
11	CADRACC00004		junction device for circular section 150 mm (M)/150 mm (M)
12		CADCONPPE036	PPE duct Ø 160 mm - long 1 mt
13		CADCONFLX002	Insulated flexible duct Ø 160 mm - 10 mt
14		CADRACC00002	junction device for circular section Ø 160 mm (M)/150 mm (F)
15	CADBATH2O002	CADBATH2O006	post heating/cooling water coil BA-AF/AC
16	CADPLENUM010	CADPLENUM010	SUPPLY/EXTRACTION plenum standard



Made in Italy

**COMPANY WITH
QUALITY SYSTEM
CERTIFIED BY DNV GL
ISO 9001**

**COMPANY WITH
ENVIRONMENTAL SYSTEM
CERTIFIED BY DNV GL
ISO 14001**

UTEK reserves the right to at any time the necessary changes to improve products without prior notice .