



indoor air quality and energy saving

TECHNICAL DATA



CAFIL



AIR FILTRATION UNITS



CAFIL

Filtration unit to be matched with heat recovery, to improve the standard filtration or provide a pre-filter. Plenum filter holder from install in to the duct for the ventilation units

STRUCTURE

Air filters housing for ducting installation

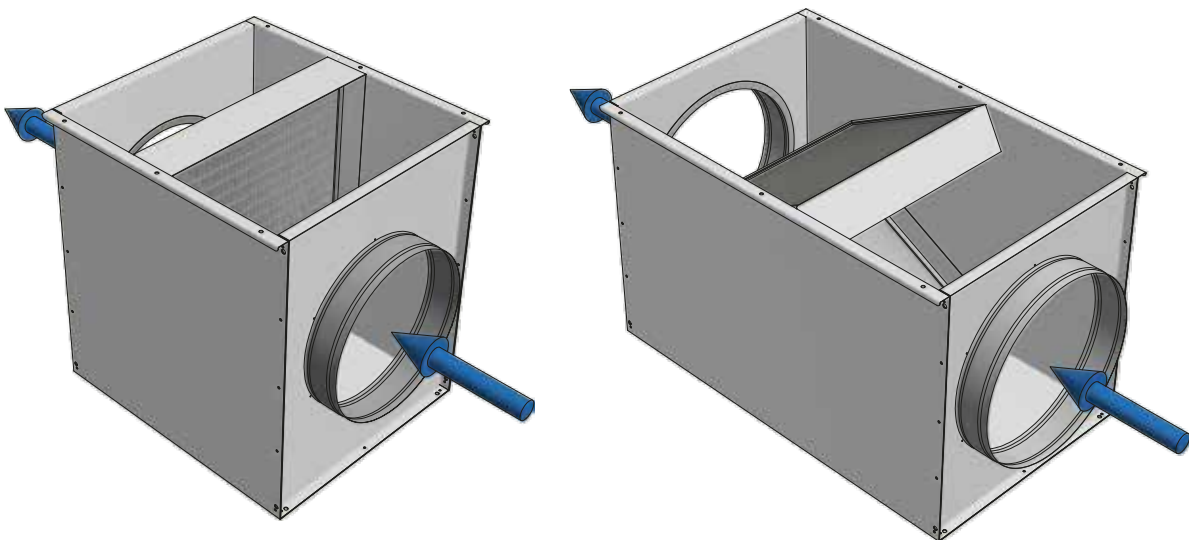
- Including inspection panel
- Made of magnesium zinc
- Circular spigots with rubber sealing ring to the ducting

FILTERS

- Filter mounting frames galvanized steel with tension springs
- Filters coupling classified according to EN 779-2002:
- Coarse 65% (G4): synthetic materials class F1 DIN53438, galvanized steel frame thick. 48 mm
- ePM1 55% (F7): low pressure loss filter made by composite polypropylene media, galvanized steel frame thick. 48 mm
- ePM1 85% (F9): low pressure loss filter made by composite polypropylene media, galvanized steel frame thick. 48 mm

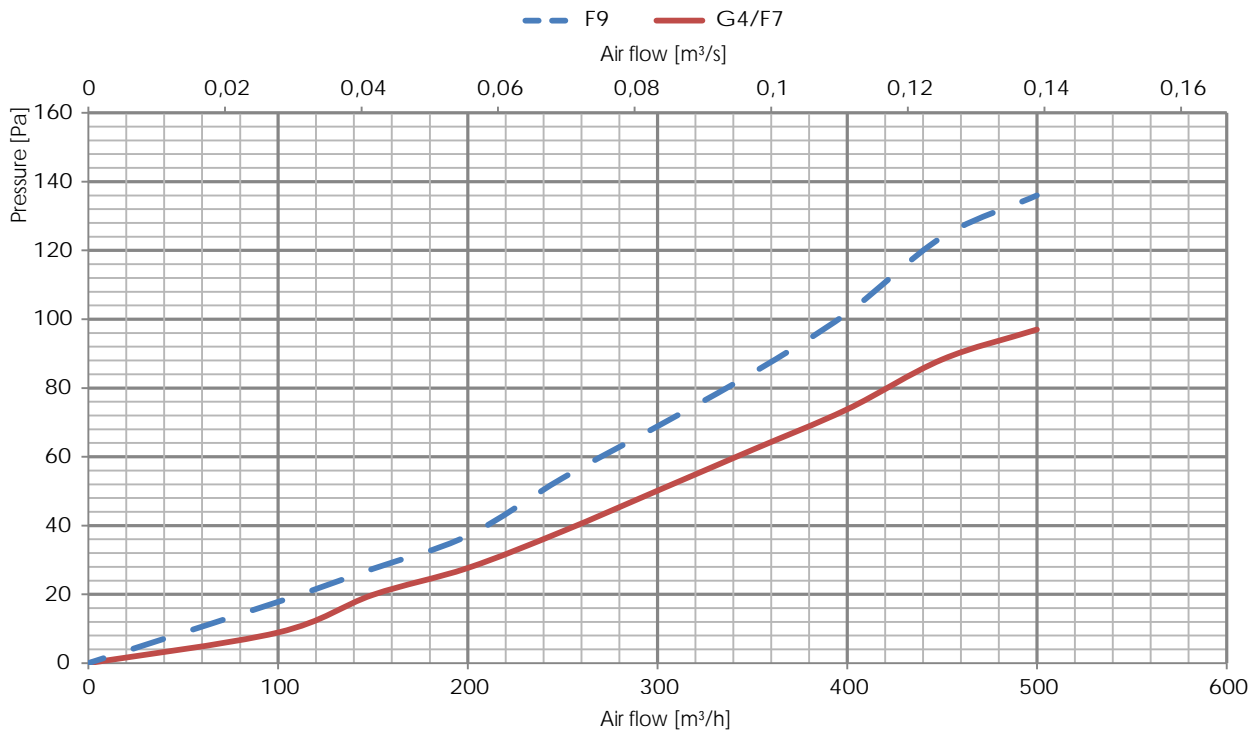
NOTE: the filter holder can be placed 1 mm thick filter 48 + 1, 25 mm thick filter

- performance features declared with CLEAN filters
- provided only one curve for filters Coarse 65% (G4) and ePM1 55% (F7) ePM1 55% (F7) filters at low load losses, comparable to those of Coarse 65% (G4))



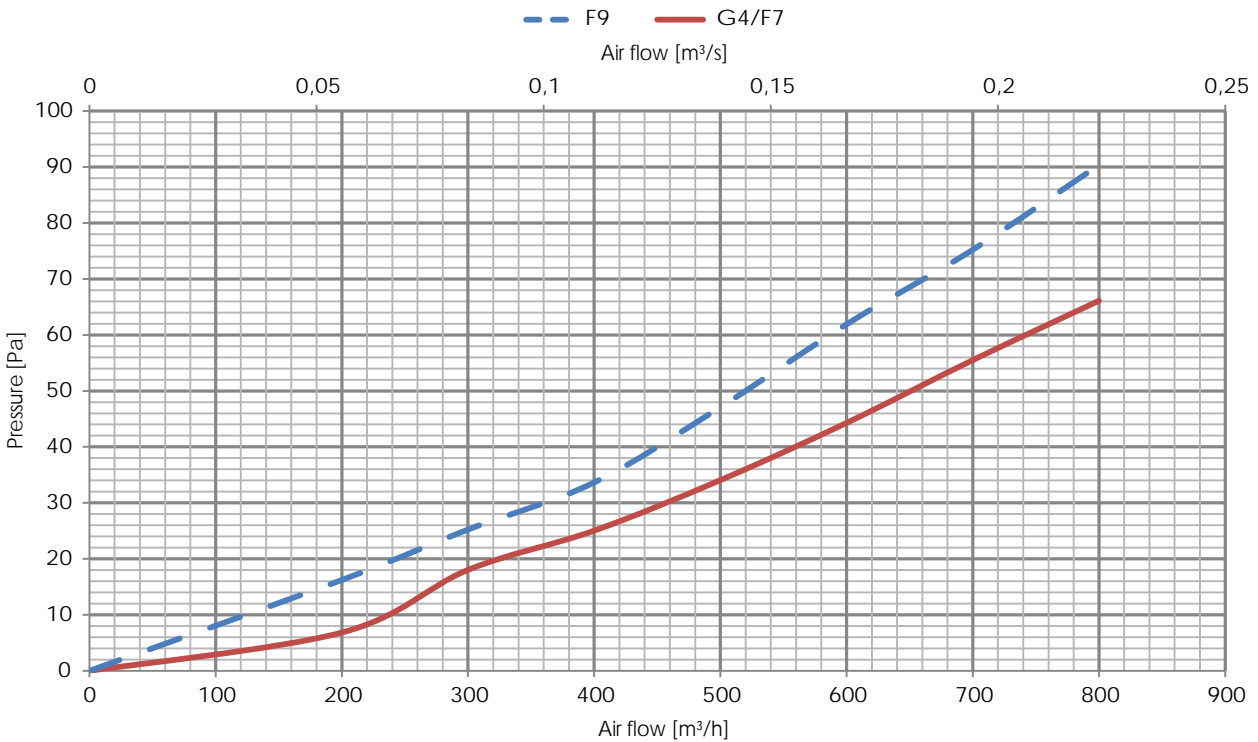


FILTER PRESSURE LOSS
CAFIL 200



The declared performances are with CLEAN filters, and guaranteed ONLY with the original filters UTEK low pressure drop.

CAFIL 250



The declared performances are with CLEAN filters, and guaranteed ONLY with the original filters UTEK low pressure drop.

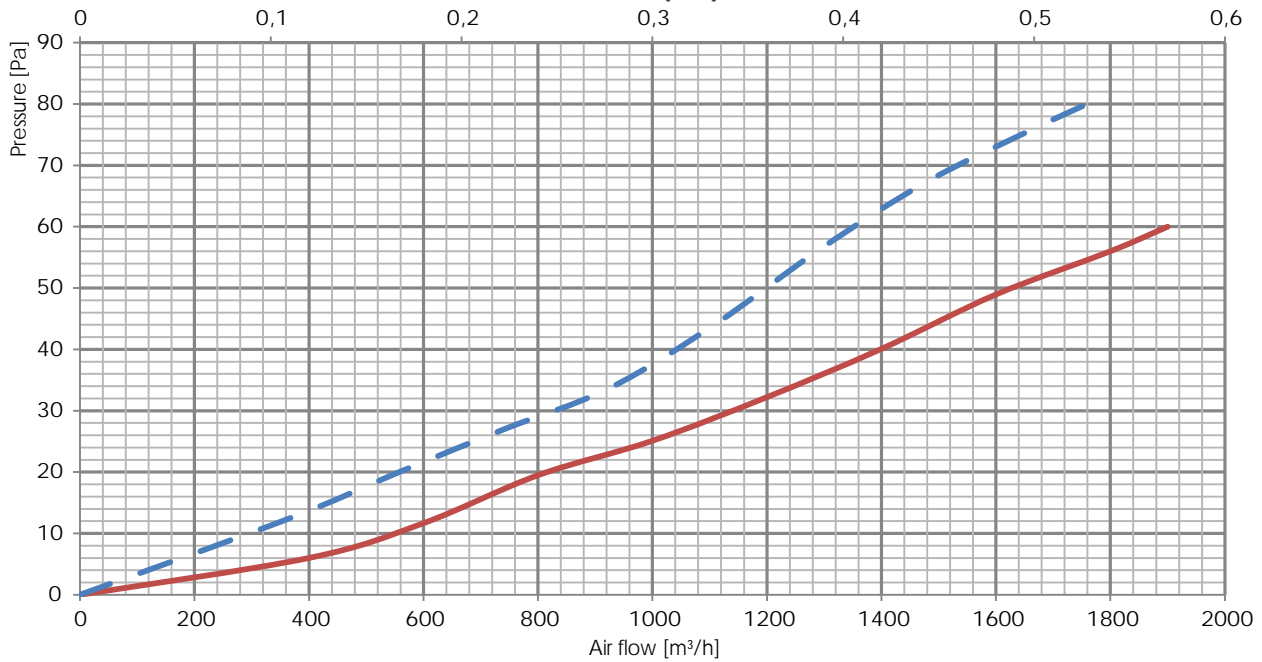


FILTER PRESSURE LOSS

CAFIL 315

— F9 — G4/F7

Air flow [m³/s]

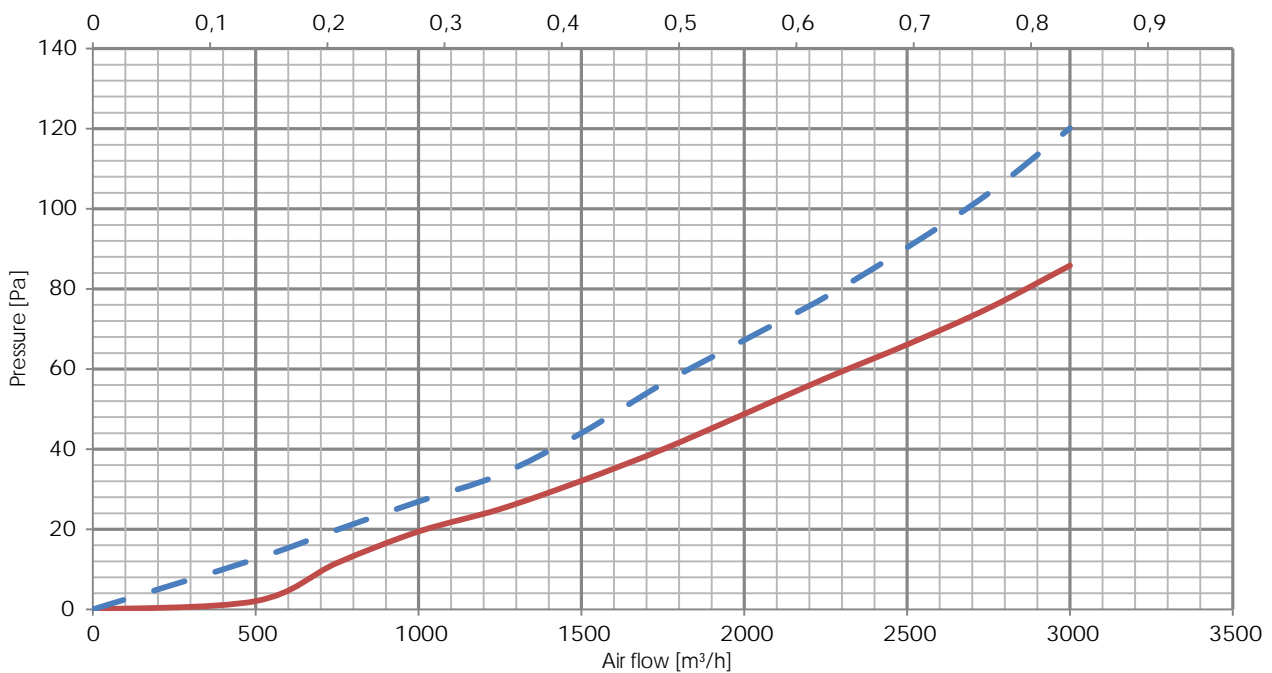


The declared performances are with CLEAN filters, and guaranteed ONLY with the original filters UTEK low pressure drop.

CAFIL 355

— F9 — G4/F7

Air flow [m³/s]



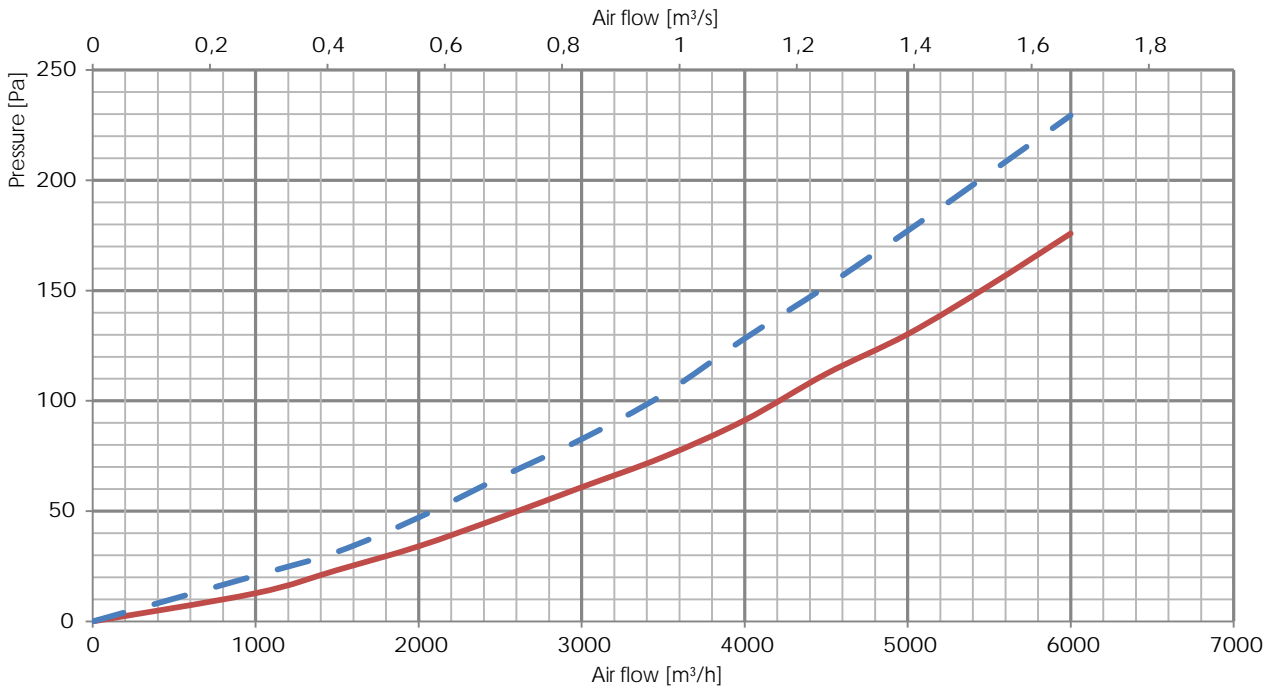
The declared performances are with CLEAN filters, and guaranteed ONLY with the original filters UTEK low pressure drop.



FILTER PRESSURE LOSS

CAFIL 400-450

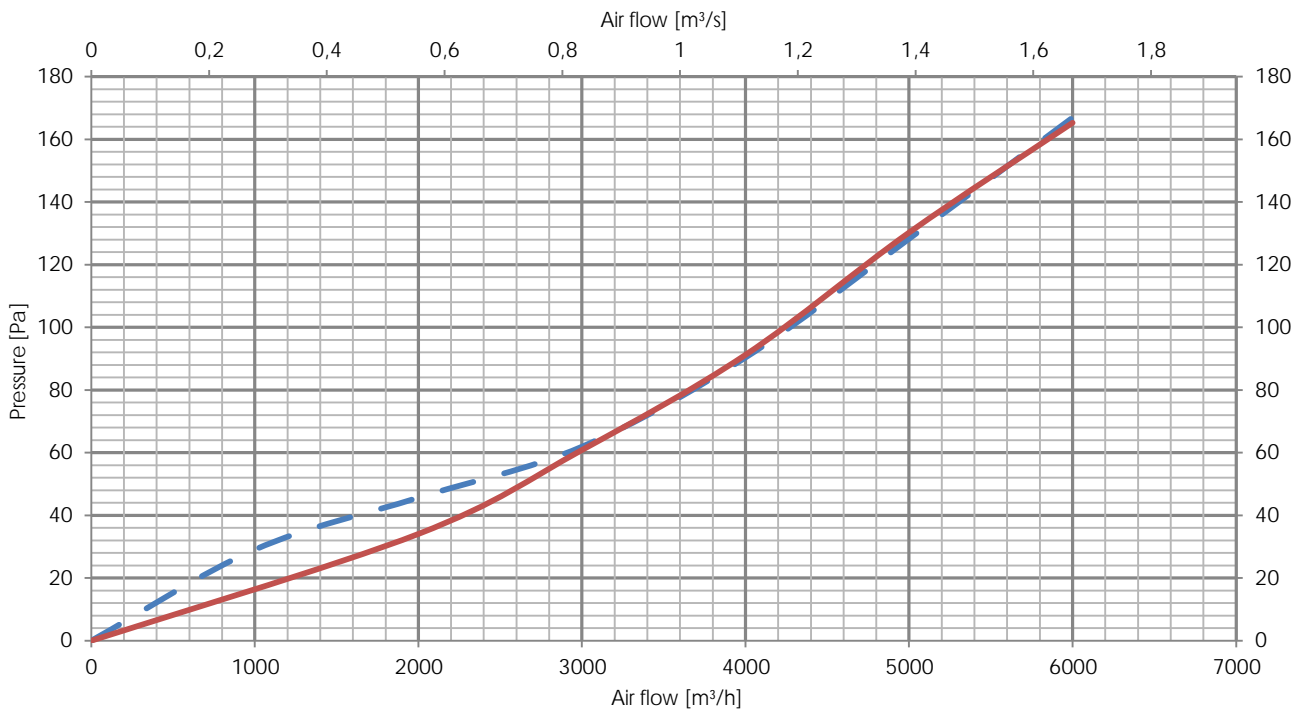
--- F9 — G4/F7



The declared performances are with CLEAN filters, and guaranteed ONLY with the original filters UTEK low pressure drop.

CAFIL 500-560-630

--- F9 — G4/F7



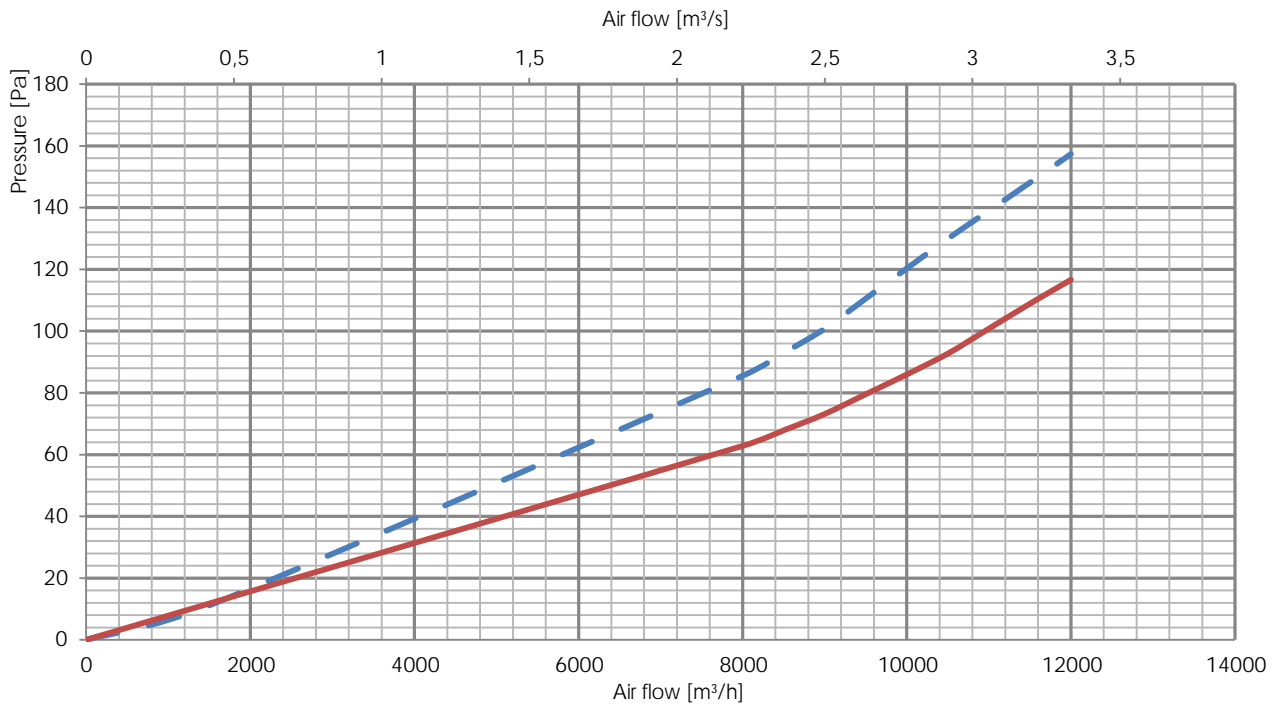
The declared performances are with CLEAN filters, and guaranteed ONLY with the original filters UTEK low pressure drop.



FILTER PRESSURE LOSS

CAFIL 710

--- F9 — G4/F7

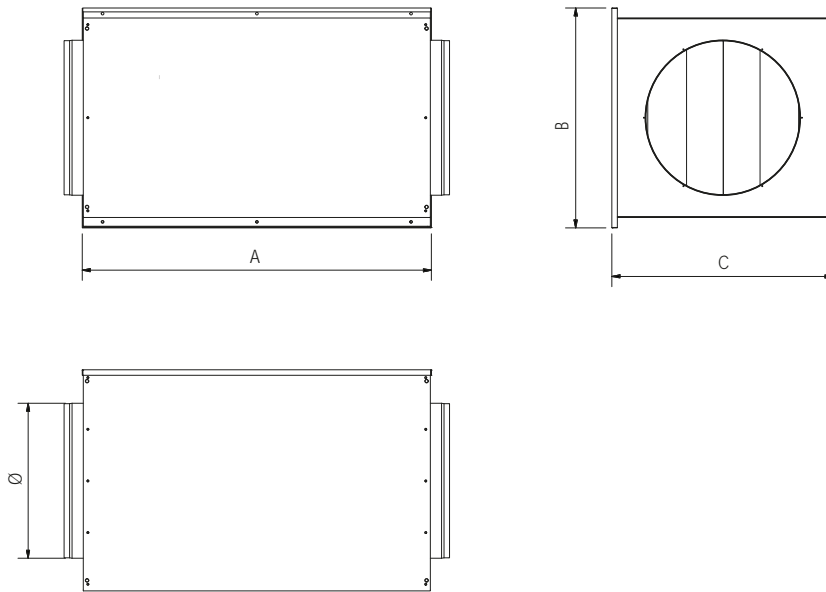


The declared performances are with CLEAN filters, and guaranteed ONLY with the original filters UTEK low pressure drop.

DIMENSIONS

MODEL	A (mm)	B (mm)	C (mm)	Ø (mm)	WEIGHT [kg]	N. FILTERS	FILTERS SIZE [mm]
CAFIL 150	405	270	250	150	7	1	200x230x48
CAFIL 200	405	270	250	200	7	1	200x230x48
CAFIL 250	505	320	420	250	10	1	400x250x48
CAFIL 315	605	500	600	315	19	1	580x430x48
CAFIL 355	605	570	645	355	25	1	625x500x48
CAFIL 400	905	570	575	400	29	2	500x400x48
CAFIL 450	905	570	575	450	29	2	500x400x48
CAFIL 500	1005	695	615	500	36	2	625x500x48
CAFIL 560	1005	695	615	560	36	2	625x500x48
CAFIL 630	1005	765	681	630	48	2	625x500x48
CAFIL 710*	1300	1000	1000	710	78	2	592x592x48
						2	592x287x48

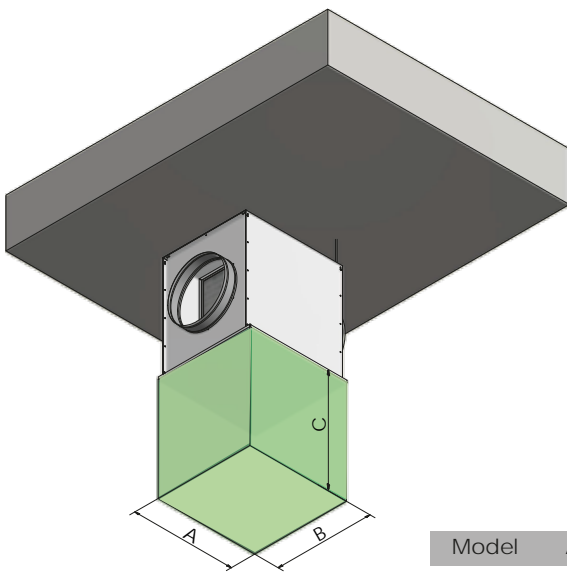
* Equipped with 2+2 filters



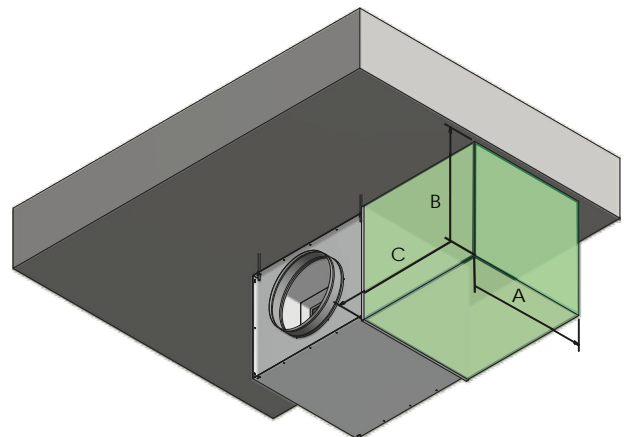
INSTALLATION

■ Minimum space required for the maintenance (mm)

BOTTOM INSPECTION



SIDE INSPECTION



Model	A [mm]	B[mm]	C[mm]
CAFIL 200	410	270	250
CAFIL 250	510	320	400
CAFIL 315	610	500	600
CAFIL 355	610	570	600
CAFIL 400	910	570	600
CAFIL 450	910	570	600
CAFIL 500	1010	695	600
CAFIL 560	1010	695	600
CAFIL 630	1010	765	600
CAFIL 710	1300	1000	1000

CLA & UTEK reserves the right to at any time the necessary changes to improve products without prior notice .

Dear Customer
Thanks for your attention to the product UTEK ,
designed and manufactured to ensure the real
values to the User : Quality, Safety and Savings on
working.



Made in Italy

**AZIENDA CON SISTEMA
DI GESTIONE QUALITÀ
CERTIFICATO DA DNV GL**
ISO 9001

**AZIENDA CON
SISTEMA DI GESTIONE
AMBIENTALE CERTIFICATO
DA DNV**
ISO 14001



the Dealer

CAFIL_2016_1_EN



AIR FILTRATION UNITS