



indoor air quality and energy saving

# TECHNICAL DATA



# CAFIL



AIR FILTRATION UNITS



## CAFIL

Filtration unit to be matched with heat recovery, to improve the standard filtration or provide a pre-filter. Plenum filter holder from install in to the duct for the ventilation units

### STRUCTURE

Air filters housing for ducting installation

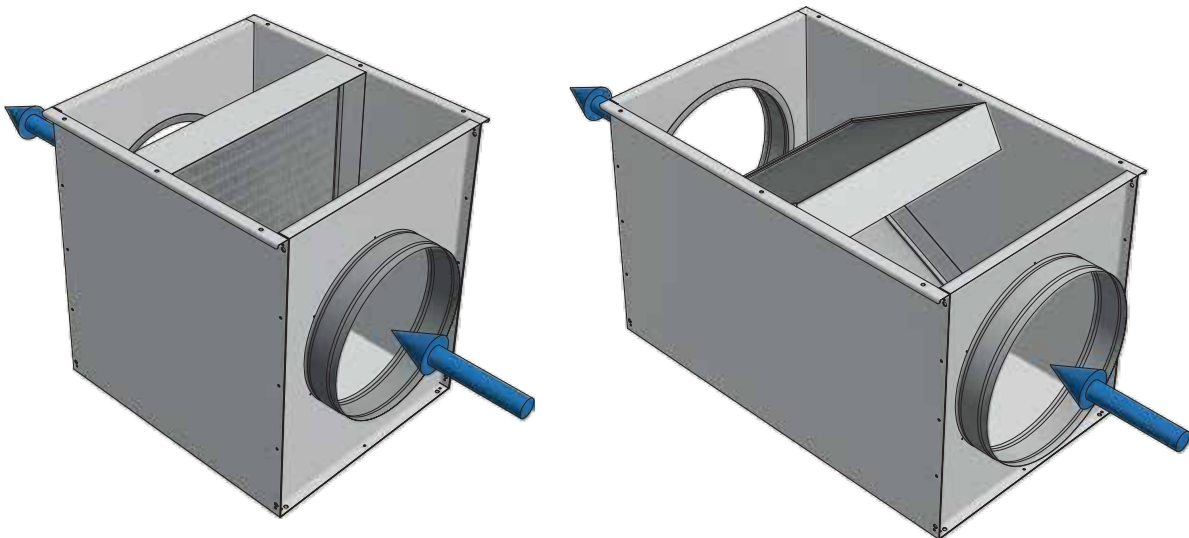
- Including inspection panel
- Made of Aluzinc®
- Circular spigots with rubber sealing ring to the ducting

### FILTERS

- Filter mounting frames galvanized steel with tension springs
- Filters coupling classified according to EN 779-2002:
- ePM10 50% (G4): synthetic materials class F1 DIN53438, galvanized steel frame thick. 48 mm
- ePM1 70% (F7): low pressure loss filter made by composite polypropylene media, galvanized steel frame thick. 48 mm
- ePM1 85% (F9): low pressure loss filter made by composite polypropylene media, galvanized steel frame thick. 48 mm

NOTE: the filter holder can be placed 1 mm thick filter 48 + 1, 25 mm thick filter

- performance features declared with CLEAN filters
- provided only one curve for filters ePM10 50% (G4) and ePM1 70% (F7) (ePM1 70% (F7) filters at low load losses, comparable to those of ePM10 50% (G4))



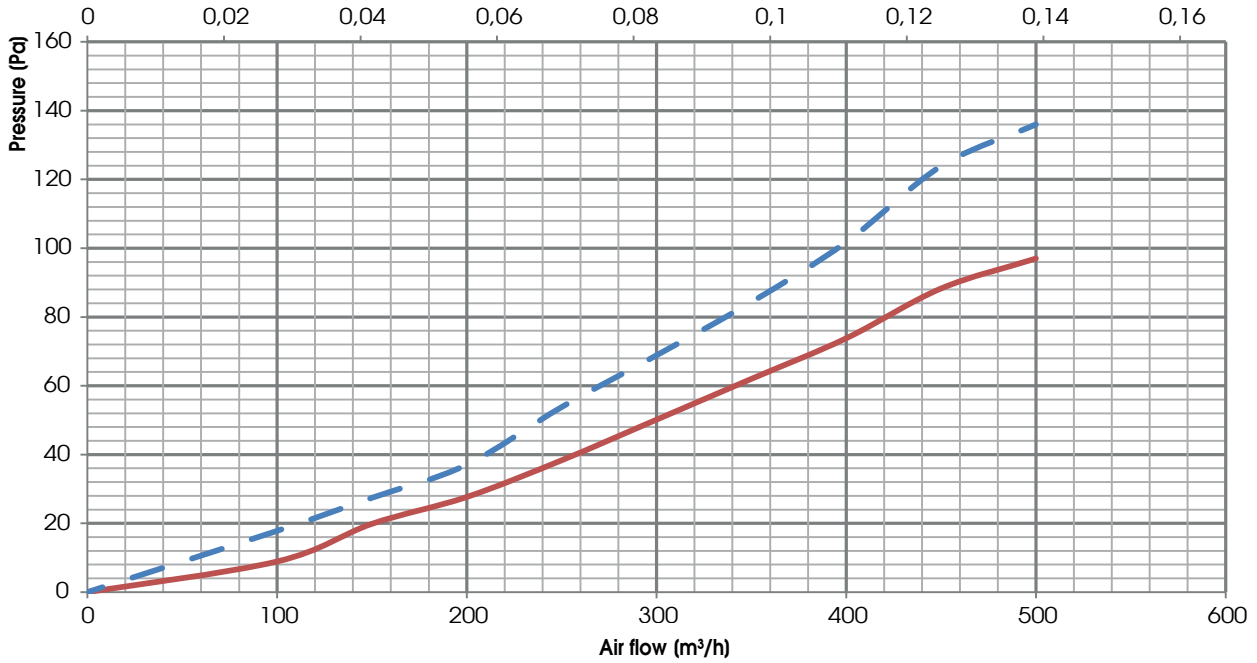


### FILTER PRESSURE LOSS

#### CAFIL 200

--- F9    — G4/F7

Air flow (m<sup>3</sup>/s)

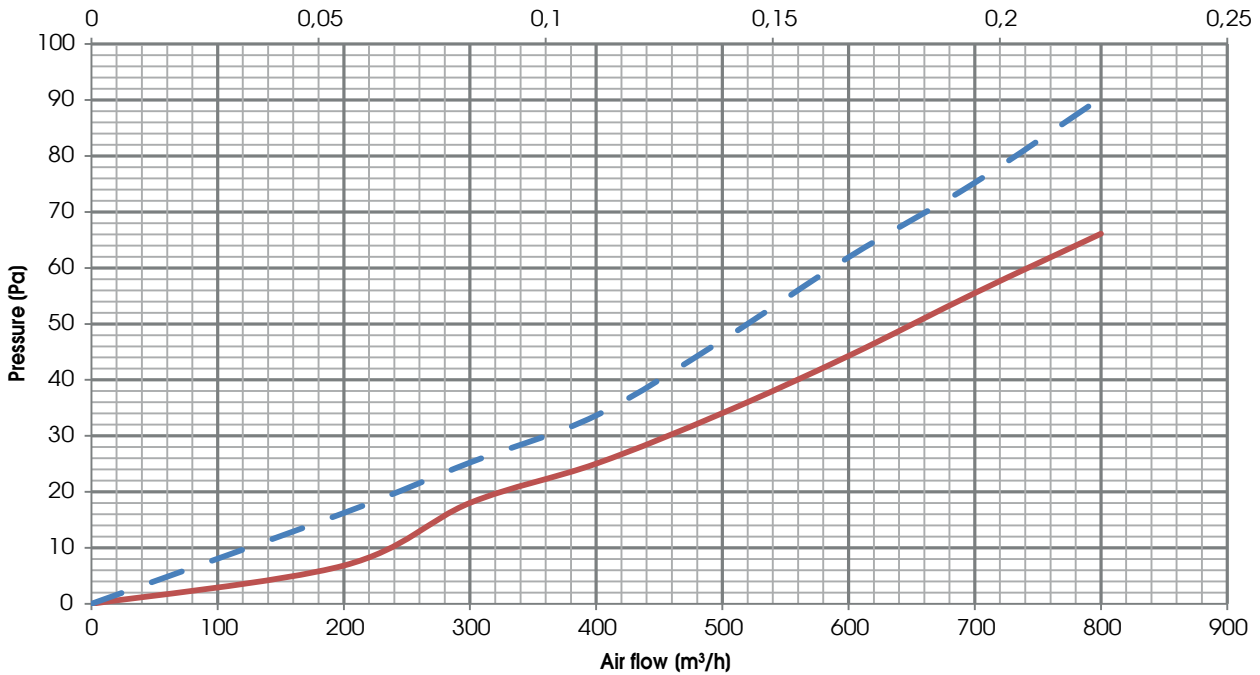


The declared performances are with CLEAN filters, and guaranteed ONLY with the original filters UTEK low pressure drop.

#### CAFIL 250

--- F9    — G4/F7

Air flow (m<sup>3</sup>/s)



The declared performances are with CLEAN filters, and guaranteed ONLY with the original filters UTEK low pressure drop.

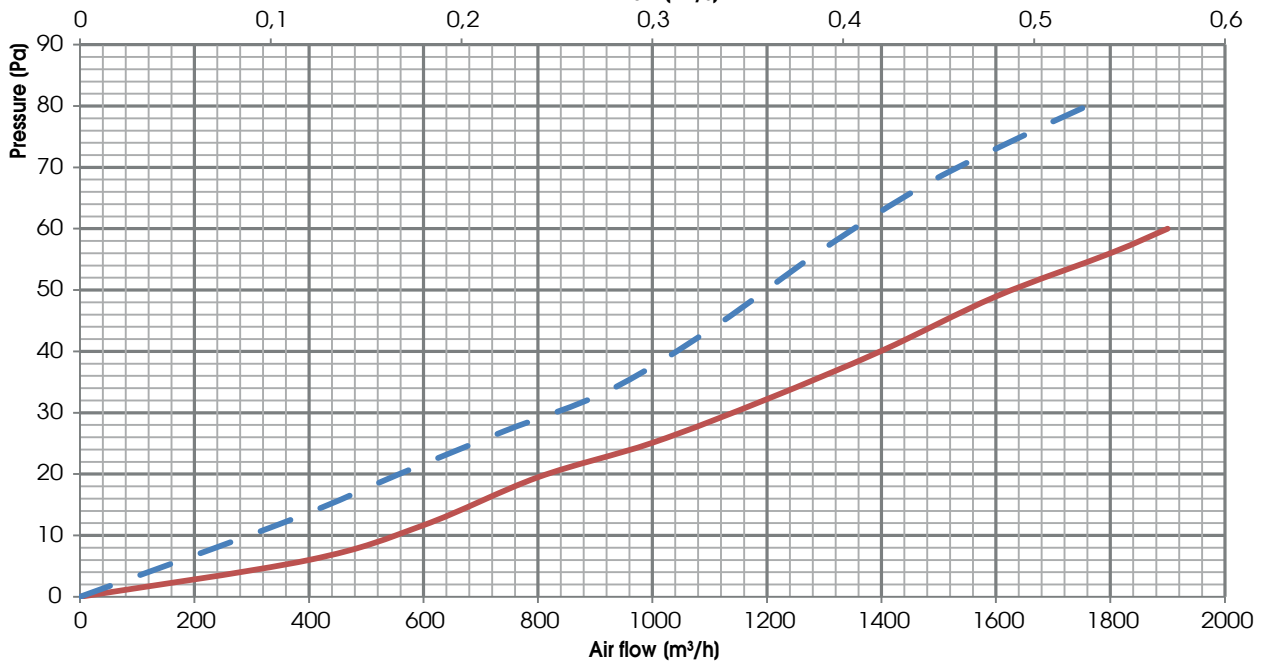


### FILTER PRESSURE LOSS

#### CAFIL 315

--- F9    — G4/F7

Air flow (m<sup>3</sup>/s)

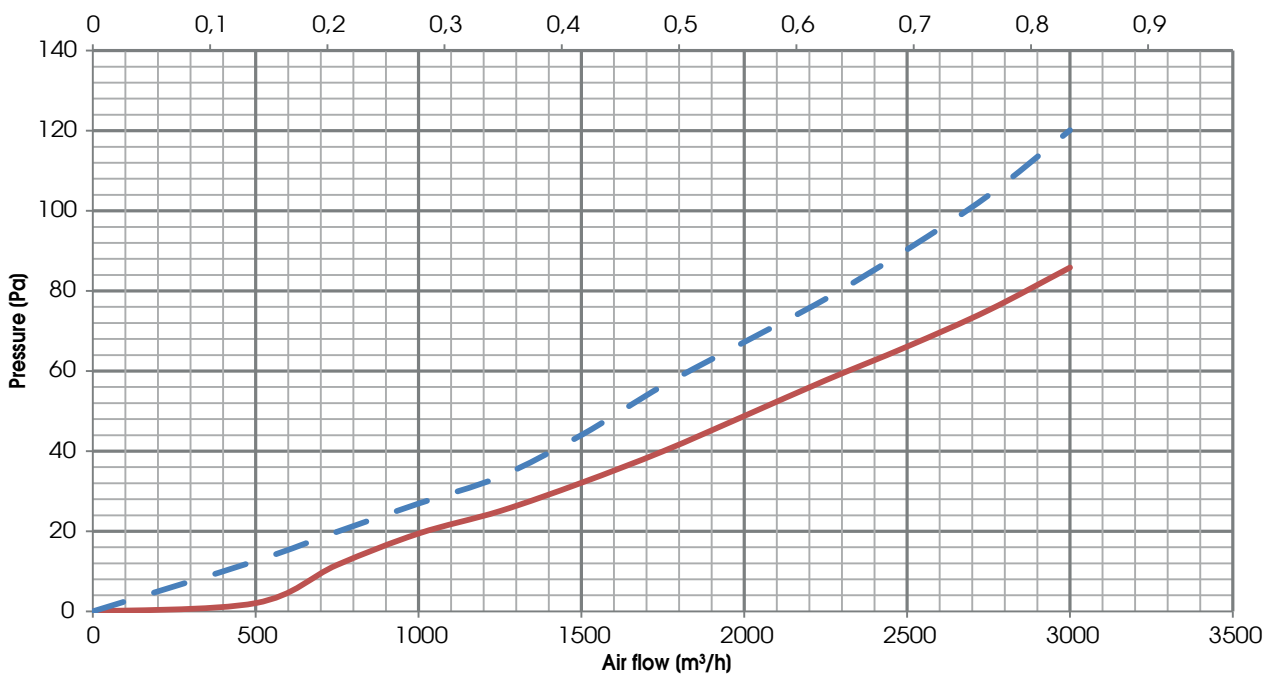


The declared performances are with CLEAN filters, and guaranteed ONLY with the original filters UTEK low pressure drop.

#### CAFIL 355

--- F9    — G4/F7

Air flow (m<sup>3</sup>/s)



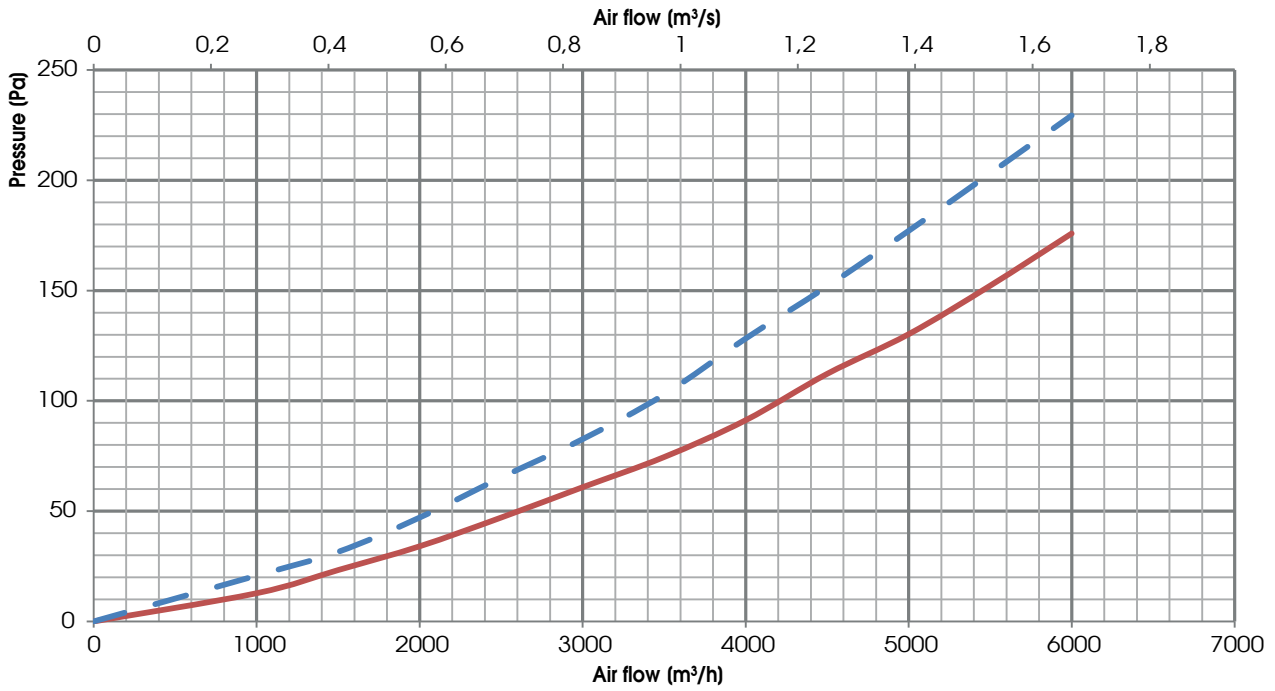
The declared performances are with CLEAN filters, and guaranteed ONLY with the original filters UTEK low pressure drop.



### FILTER PRESSURE LOSS

#### CAFIL 400-450

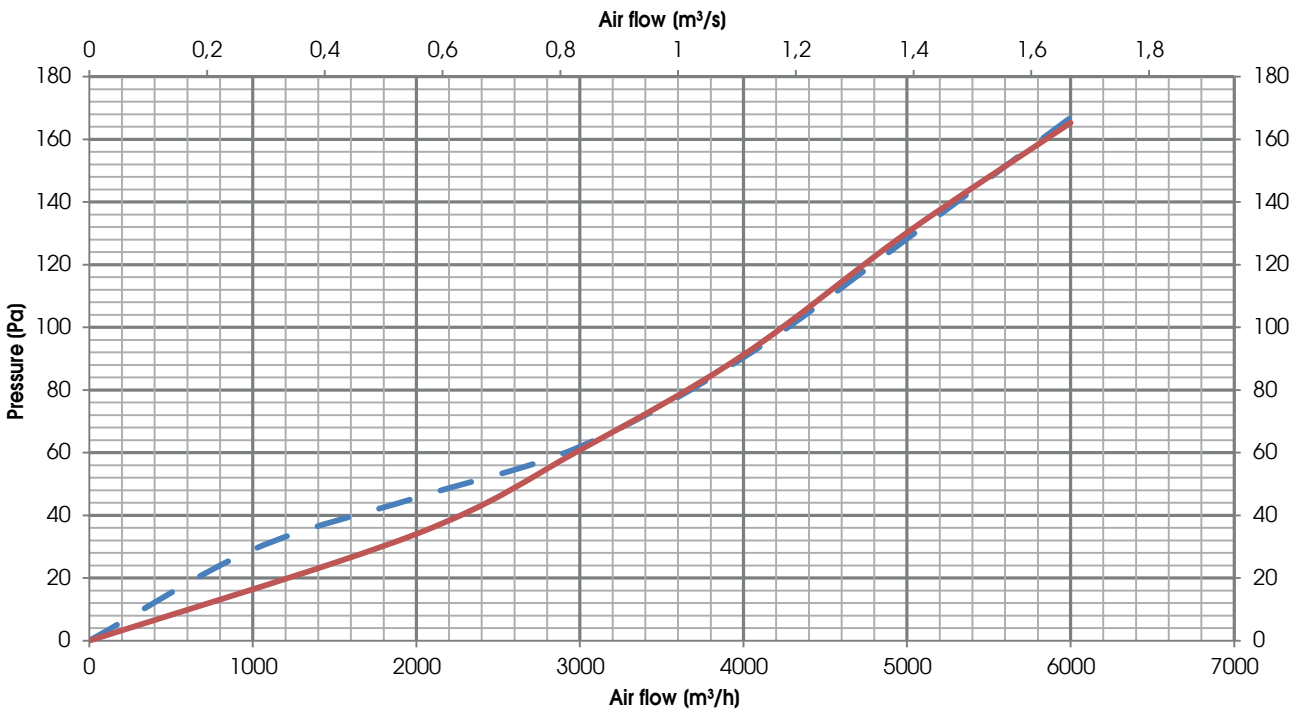
--- F9    — G4/F7



The declared performances are with CLEAN filters, and guaranteed ONLY with the original filters UTEK low pressure drop.

#### CAFIL 500-560-630

--- F9    — G4/F7



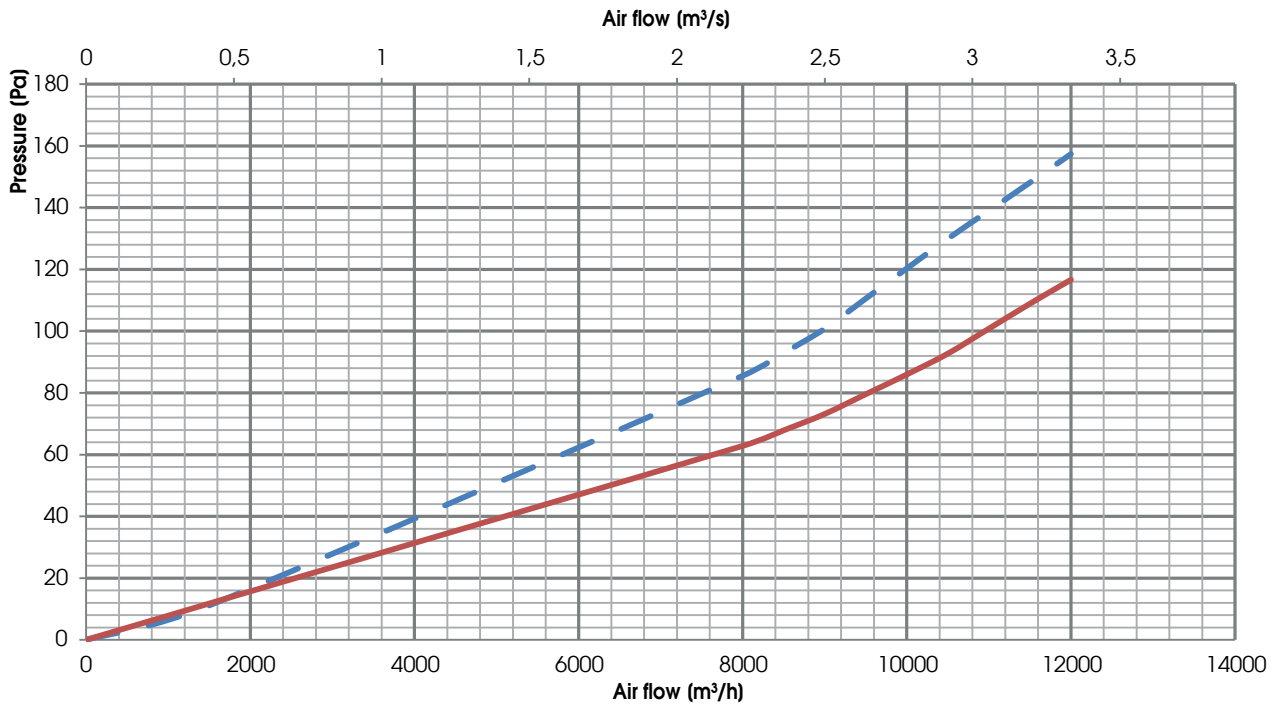
The declared performances are with CLEAN filters, and guaranteed ONLY with the original filters UTEK low pressure drop.



## FILTER PRESSURE LOSS

### CAFIL 710

--- F9    --- G4/F7

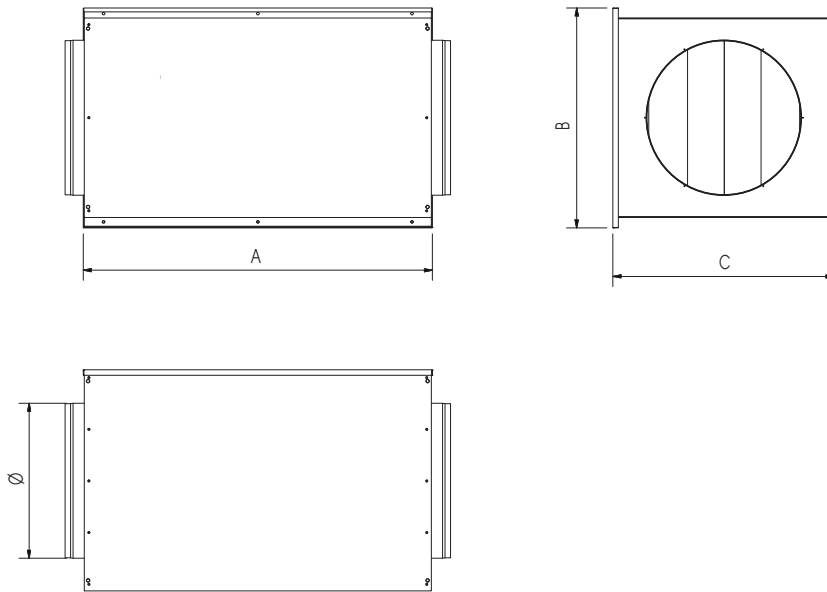


The declared performances are with CLEAN filters, and guaranteed ONLY with the original filters UTEK low pressure drop.

## DIMENSIONS

MODEL	A (mm)	B (mm)	C (mm)	Ø (mm)	WEIGHT (kg)	N. FILTERS	FILTERS SIZE (mm)
CAFIL 150	405	270	250	150	7	1	200x230x48
CAFIL 200	405	270	250	200	7	1	200x230x48
CAFIL 250	505	320	420	250	10	1	400x250x48
CAFIL 315	605	500	600	315	19	1	580x430x48
CAFIL 355	605	570	645	355	25	1	625x500x48
CAFIL 400	905	570	575	400	29	2	500x400x48
CAFIL 450	905	570	575	450	29	2	500x400x48
CAFIL 500	1005	695	615	500	36	2	625x500x48
CAFIL 560	1005	695	615	560	36	2	625x500x48
CAFIL 630	1005	765	681	630	48	2	625x500x48
CAFIL 710*	1300	1000	1000	710	78	2	592x592x48
						2	592x287x48

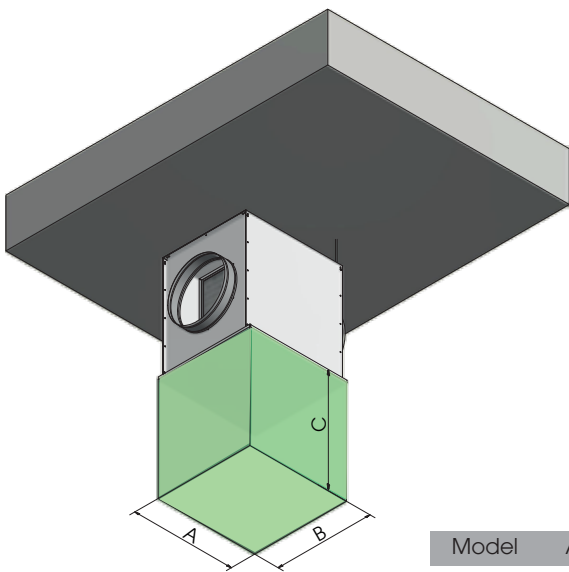
\* Equipped with 2+2 filters



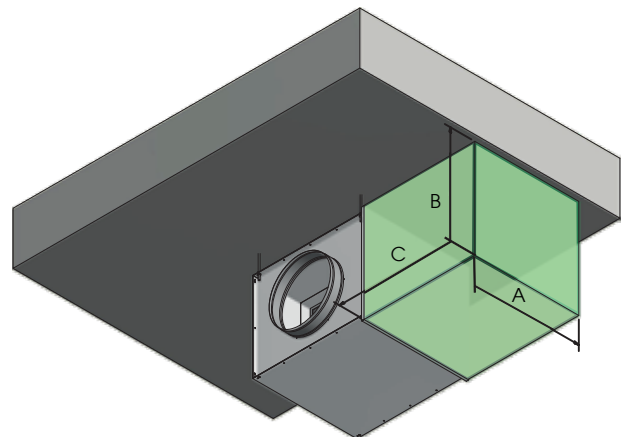
## INSTALLATION

■ Minimum space required for the maintenance (mm)

### BOTTOM INSPECTION



### SIDE INSPECTION



Model	A (mm)	B(mm)	C(mm)
<b>CAFIL 200</b>	410	270	250
<b>CAFIL 250</b>	510	320	400
<b>CAFIL 315</b>	610	500	600
<b>CAFIL 355</b>	610	570	600
<b>CAFIL 400</b>	910	570	600
<b>CAFIL 450</b>	910	570	600
<b>CAFIL 500</b>	1010	695	600
<b>CAFIL 560</b>	1010	695	600
<b>CAFIL 630</b>	1010	765	600
<b>CAFIL 710</b>	1300	1000	1000

CLA & UTEK reserves the right to at any time the necessary changes to improve products without prior notice .

Dear Customer  
Thanks for your attention to the product UTEK ,  
designed and manufactured to ensure the real  
values to the User : Quality, Safety and Savings on  
working.



Made in Italy

**AZIENDA CON SISTEMA  
DI GESTIONE QUALITÀ  
CERTIFICATO DA DNV GL**  
ISO 9001

**AZIENDA CON  
SISTEMA DI GESTIONE  
AMBIENTALE CERTIFICATO  
DA DNV**  
ISO 14001



the Dealer

CAFIL\_2016\_0\_EN



AIR FILTRATION UNITS